



# CX3000

## CEILING UNITS WITH COUNTERFLOW HEAT EXCHANGER

Highly space-efficient solution, suitable for new-build and renovation projects.

**CX3060:** 305 - 3,395 m<sup>3</sup>/h

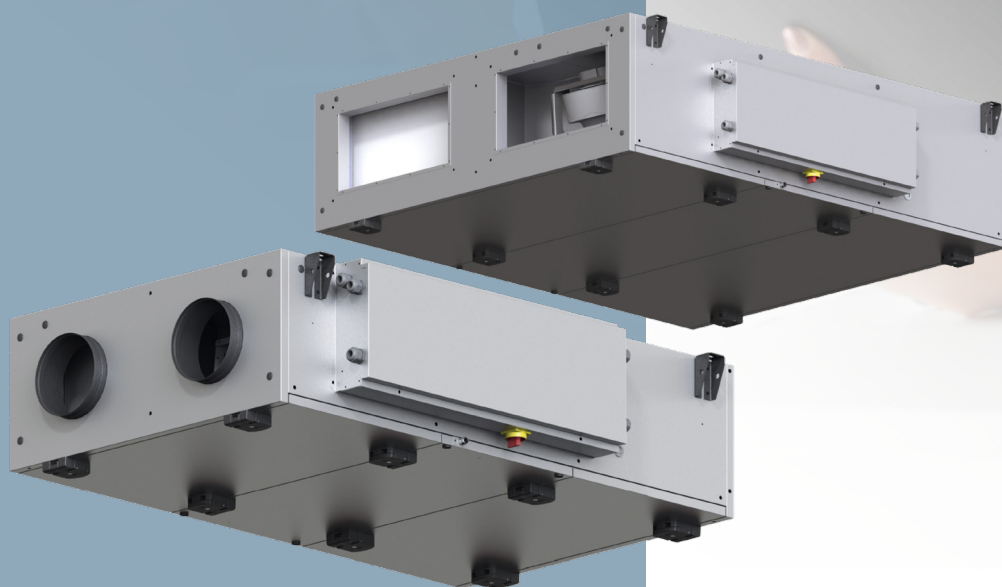
**CX3050:** 282 - 2,820 m<sup>3</sup>/h

**CX3040:** 215 - 2,150 m<sup>3</sup>/h

**CX3030:** 152 - 1,680 m<sup>3</sup>/h

**CX3020:** 150-925 m<sup>3</sup>/h

**CX3010:** 55 - 520 m<sup>3</sup>/h



# CX3000 CEILING UNITS WITH COUNTERFLOW HEAT EXCHANGER

A highly space-saving solution, suitable for new-build and renovation projects.

## CX3000 ceiling units

CX3000 ceiling units are available in six sizes, covering airflows up to 3,395 m<sup>3</sup>/h (ERP18). The CX3000 is designed for integration into a suspended ceiling, or fitting into a ceiling or floor partition.

CX3000 can be selected in a LEFT or RIGHT version.

Water heating coil (HW) for integration and additional coils for duct mounting can be ordered as accessories: electric heating coil (PHE), electric heating coil (AHE) and/or cooling/heating coil (water) (CW).

The CX3000 is controlled by the advanced EXcon control system and is equipped with a composite wheel.

## Doors

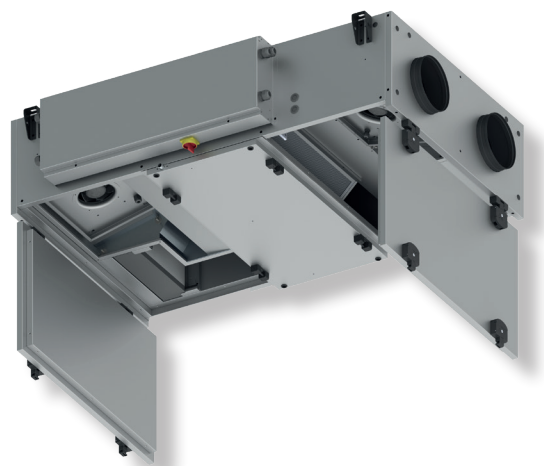
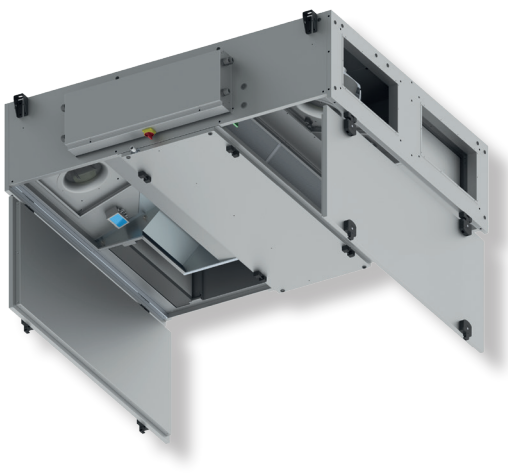
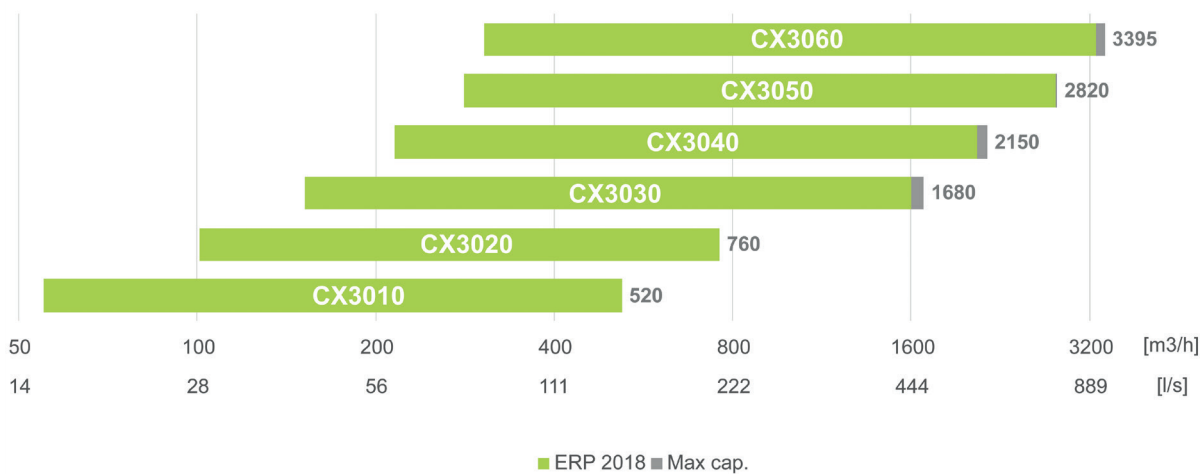
The CX3000 is equipped with hinged doors that can be opened on both sides. If the location and space make it difficult to fit the suspended doors, we can supply rails (accessories) that are mounted under the unit so that the doors can be dismantled and placed on the rails while the unit is being serviced.

## Configuration

Use our product selection software EXselectPRO to calculate the solution, select the correct size and put together the accessories required by the project.

All CX3000 units are supplied as a standard basic model in either the right or left variant. Accessories are supplied separately as kits/parts and are installed in connection with the installation of the unit.

## Capacity diagram (For precise calculation, use EXselectPRO)



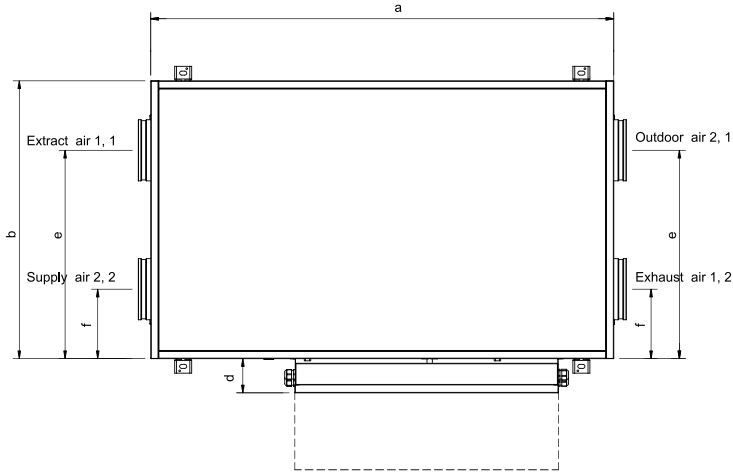
# CX3000

## SKETCHES AND ACCESSORIES

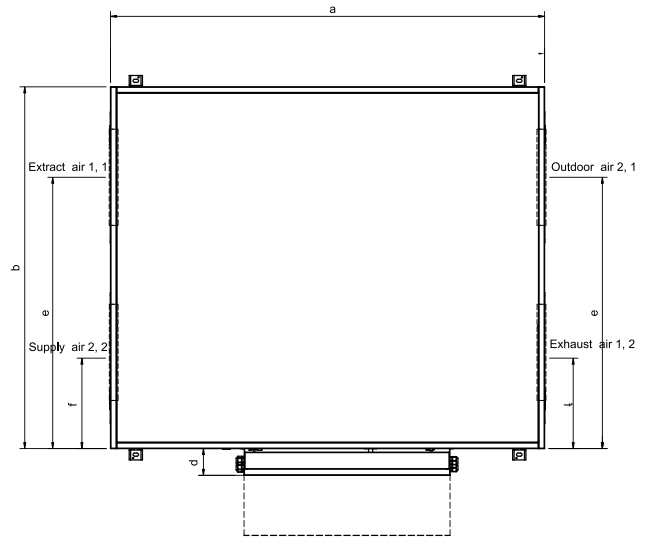
### Dimensions - CX3000 Ceiling

The ceiling model is supplied as either LEFT or RIGHT. The unit has composite fan impellers with backward curved blades, which provide a high output with low energy consumption. In addition, the CX3000 has a built-in EXcon control system.

#### CX3010 - CX3020. LEFT version, top view



#### CX3030 - CX3060. LEFT version, top view



Size	Dimensions						Spigots [mm]	Weight kg
	A [mm]	B [mm]	C * [mm]	D [mm]	E [mm]	F [mm]		
CX3010	1500	900	370	110	675	225	200	124
CX3020	1600	1150	400	110	863	288	250	164
CX3030	1800	1500	480	110	1125	375	300x550	230
CX3040	2000	1650	565	110	1238	413	400x600	286
CX3050	2100	1650	580	110	1238	413	400x600	308
CX3060	2250	1970	580	110	1478	493	400x750	370

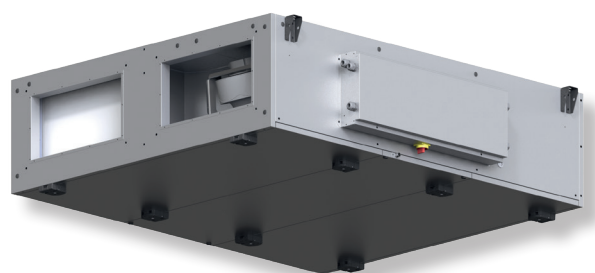
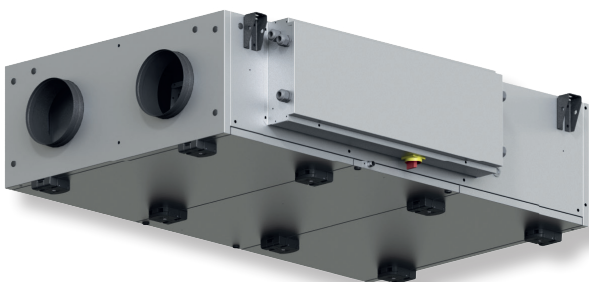
Spigot	Orientation
1.1	Extract air
1.2	Exhaust air
2.1	Outdoor air
2.2	Supply air

\* The dimensions given are the height of the unit

### CX models

Item no.	Description
A11058000	CX3010RCX1 ceiling unit with supply air, right side (RIGHT)
A11058139	CX3010LCX1 ceiling unit with supply air in left side (LEFT)
A11058143	CX3020RCX1 ceiling unit with supply air, right side (RIGHT)
A11058146	CX3020LCX1 ceiling unit with supply air in left side (LEFT)
A11058157	CX3030RCX1 ceiling unit with supply air, RIGHT (RIGHT)
A11058158	CX3030LCX1 ceiling unit with supply air in LEFT

Item no.	Description
A11058175	CX3040RCX1 ceiling unit with supply air, RIGHT (RIGHT)
A11058189	CX3040LCX1 ceiling unit with supply air, LEFT
A11058196	CX3050RCX1 ceiling unit with supply air in right side (RIGHT)
A11058215	CX3050LCX1 ceiling unit with supply air in LEFT
A11058226	CX3060RCX1 ceiling unit with supply air in right side (RIGHT)
A11058228	CX3060LCX1 ceiling unit with supply air in LEFT



**EXHAUSTO**

## Accessories

Description	
1	Electric preheating coil - RIGHT – available in several sizes
2	Electric preheating coil - LEFT – available in several sizes
3	Electric heating coil - RIGHT – available in several sizes
4	Electric heating coil – LEFT – available in several sizes
5	Water heating coil - RIGHT (for integration) - available in several sizes
6	Water heating coil – LEFT (for integration) - available in several sizes
	External filter box ePM <sub>1</sub> 80% (F9) - available in several sizes
7	Cooling/heating coil (water) - RIGHT - available in several sizes
8	Cooling/heating coil (water) - LEFT – available in several sizes
9	Sliding rail – For horizontal door openings – available in several sizes
10	Transition piece – rectangular to round – available in several sizes
11	Damper with motor – available in several sizes
	HMI cable – 25 metres
	FLF MS PRO – flexible connection – Fire class A2-S1, d0 – available in several sizes
	FLF RS – flexible connection – available in several sizes
12	Water trap, condensation outlet heat exchanger (negative pressure)
13	2" HMI touchpanel (user panel)
	PIR sensor
	Pressure transmitter kit - (Two items must always be ordered)
	CO <sub>2</sub> sensor – room (Aldes)
	CO <sub>2</sub> sensor - duct (Modbus)
	Temperature sensor – room (Modbus)
	Temperature sensor – outdoor (Modbus)
	Smoke detector
	Fire thermostat (BT40°C-70°C) IP54
14	Extension module:

