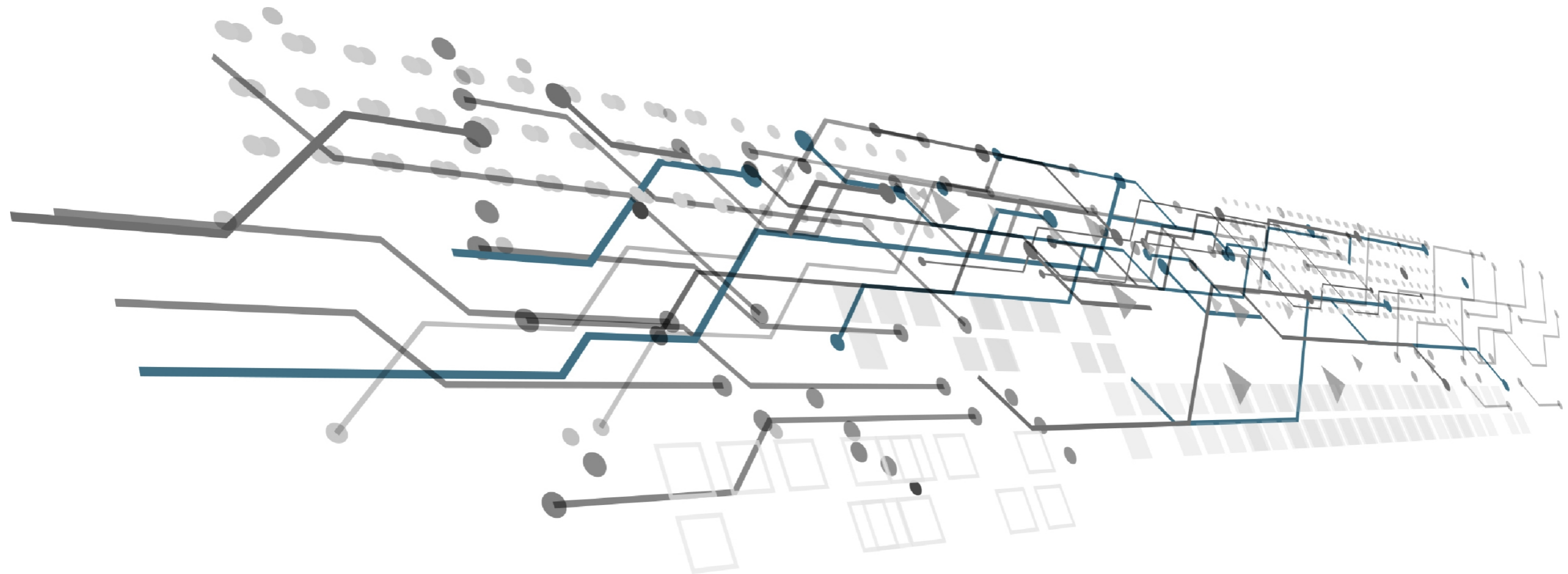


# VEX1000 Wiring diagram

*EXcon+ automatic*

*EXcon+ automatik*

*Systeme de régulation EXcon+*



# VEX1000 Accessories

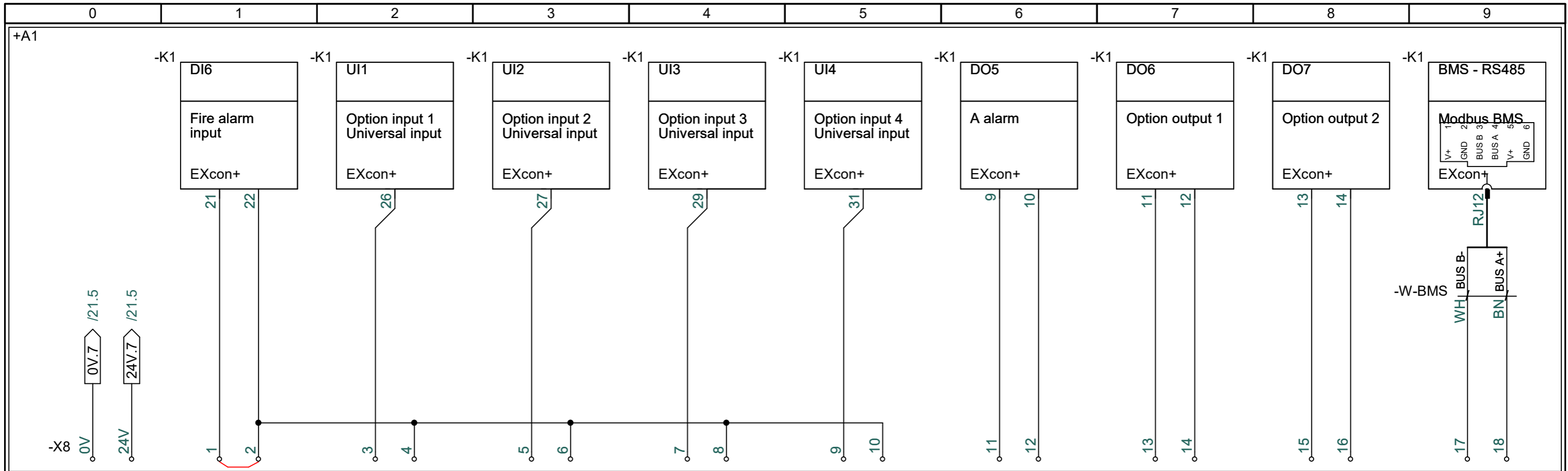
## 3006851

<b>aldes</b>   <b>EXHAUSTO</b>	Project: VEX1000 Accessories	Start date: 31-10-2024	Constructor: DKTSA	Page: 1	
		Revision date: 18-12-2024	Approved by: DKLEG	Previous page: 0	
Drawing number: 3006851	Revision: A	Page Title: Frontpage	Replaces:	Scale: 1:1	Next page: 2
			EC no.:	Format: A3	Pages in total: 24

Page	Component	Title	GB	Titel	DE	Titre	FR	Last edit
10	KCO2-SD	CO2 sensor 0-10V for duct installation		CO2-Sensor 0-10V für Kanalmontage		Capteur CO2 0-10V pour montage en conduit		13-12-2024
11	RCO2-SD-U	CO2 sensor 0-10V for room installation		CO2-Sensor 0-10V für Raummontage		Capteur CO2 0-10V pour installation en pièce		13-12-2024
12	RLQ-SD-U	VOC air quality sensor 0-10V for room installation		VOC-Luftqualitätssensor 0-10V für Rauminstallation		Capteur de qualité de l'air VOC 0-10V pour pièces		11-12-2024
13	VTH-6202	VOC/CO2 sensor for duct installation		VOC/CO2-Sensor für Kanalmontage		Capteur VOC/CO2 pour montage en conduit		11-12-2024
14	SDB	Smoke detector for rooms		Rauchmelder für Räume		Détecteur de fumée pour installation en pièce		11-12-2024
15	KRM-X-2	Smoke detector for duct mounting (Oppermann)		Rauchmelder zur Kanalmontage (Oppermann)		Détecteur de fumée pour montage en conduit (Oppermann)		11-12-2024
16	UG-5-AFR-24V	Smoke detector for duct mounting (Calectro)		Rauchmelder zur Kanalmontage (Calectro)		Détecteur de fumée pour montage en conduit (Calectro)		11-12-2024
17	BT40-70	Fire thermostat 40-70°		Brandschutzthermostat 40-70°		Thermostat incendie 40-70°		11-12-2024
18	HYRK	Hygrostat for room installation		Hygrostat für Rauminstallation		Hygrostat pour installation en pièce		13-12-2024
19	S-KH-10U	Hygrostat for duct installation		Hygrostat für Kanalmontage		Hygrostat pour montage en conduit		11-12-2024
20	PIR	PIR motion detector		PIR-Bewegungssensor		Capteur de mouvement PIR		11-12-2024
21	TIMERBUTTON3	Timer button with LED indicator		Timer-Taste mit LED-Anzeige		Bouton minuterie avec indicateur LED		11-12-2024
22	TTH-6040-O	External outdoor temperature sensor		Externer Außentemperatursensor		Capteur de température extérieure		11-12-2024
23	TTH-6040-W	Room temperature sensor		Raumtemperatursensor		Capteur de température intérieure		13-12-2024
24	HMI-20T	2" HMI for room mounting with temperature sensor		2" HMI für Raummontage mit Temperatursensor		HMI 2" pour montage en pièce avec capteur de température		11-12-2024
25	PTH4000	PTH-6202 Constant Pressure regulation kit		PTH-6202 Konstantdruckregelung-Set		Kit de régulation de pression constante PTH-6202		13-12-2024
26	PT1000	Temperature sensors for water coils		Temperatursensoren für Wasserwärmetauscher		Capteurs de température pour batteries d'eau		18-12-2024
27	5-step switch	External start switch		Externer Startschalter		Interrupteur de démarrage externe		18-12-2024

<b>IO</b>	<b>Default setting</b>	<b>Comment</b>
Digital input 6	Fire alarm	Mandatory
Universal input 1 - Option 1	External High Speed mode	-
Universal input 2 - Option 2	External Medium Speed mode	Can change depending on the coil configuration
Universal input 3 - Option 3	External Low Speed mode	Can change depending on the coil configuration
Universal input 4 - Option 4	External resetting of alarms	Can change depending on the coil configuration
Digital output 5	"A" alarm	Mandatory
Digital output 6 - Option 1	User relay	-
Digital output 7 - Option 2	Operating relay	-
<b>IO</b>	<b>Standard-Einstellung</b>	<b>Kommentar</b>
Digitaleingang 6	Feueralarm	Obligatorisch
Universaleingang 1 - Option 1	Externer Hochgeschwindigkeitsmodus	-
Universaleingang 2 - Option 2	Externer Mittlerer Geschwindigkeitsmodus	Kann je nach Registerkonfiguration geändert werden
Universaleingang 3 - Option 3	Externer Niedriggeschwindigkeitsmodus	Kann je nach Registerkonfiguration geändert werden
Universaleingang 4 - Option 4	Externes Zurücksetzen von Alarmen	Kann je nach Registerkonfiguration geändert werden
Digitalausgang 5	"A" Alarm	Obligatorisch
Digitalausgang 6 - Option 1	Benutzer-Relais	-
Digitalausgang 7 - Option 2	Betriebsrelais	-
<b>IO</b>	<b>Réglage par défaut</b>	<b>Commentaire</b>
Entrée numérique 6	Alarme incendie	Obligatoire
Entrée universelle 1 - Option 1	Mode haute vitesse externe	-
Entrée universelle 2 - Option 2	Mode vitesse moyenne externe	Peut changer selon la configuration de la bobine
Entrée universelle 3 - Option 3	Mode basse vitesse externe	Peut changer selon la configuration de la bobine
Entrée universelle 4 - Option 4	Réinitialisation externe des alarmes	Peut changer selon la configuration de la bobine
Sortie numérique 5	"A" alarme	Obligatoire
Sortie numérique 6 - Option 1	Relais utilisateur	-
Sortie numérique 7 - Option 2	Relais de fonctionnement	-

<b>aldes</b>   <b>EXHAUSTO</b>	Project: VEX1000 Accessories		Start date: 31-10-2024	Constructor: DK TSA	Page: 3
	Revision: A		Revision date: 18-12-2024	Approved by: DK LEG	Previous page: 2
Drawing number: 3006851	Page Title: I/O Settings - Customer connections	Replaces:	Scale: 1:1	Next page: 4	
		EC no.:	Format: A3	Pages in total: 24	



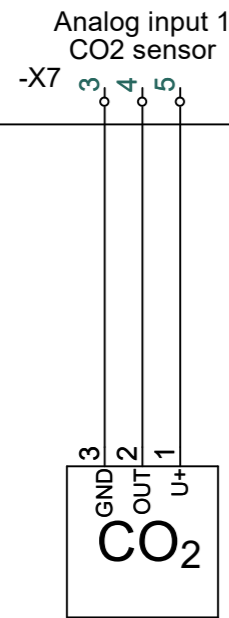
**Type**  
 KCO2  
 RCO2  
 RLQ  
 O-KRM  
 UG-5  
 BT40-70  
 HYRK  
 S-KH-10U  
 PIR  
 Timerbutton  
 TTH-6040-O  
 TTH-6040-W  
 HMI-20T  
 VTH-6202  
 PTH4000

**Description**  
 CO2 sensor 0-10V to duct mounting  
 CO2 sensor 0-10V for room installation  
 VOC air quality sensor 0-10V for room installation  
 Smoke detector for duct mounting from Oppermann  
 Smoke detector for duct mounting from Calectro  
 Fire thermostat 40-70°  
 Hygrostat for room installation  
 Hygrostat for duct mounting  
 PIR sensor motion detector  
 Timerbutton with LED indicator  
 External outdoor temperature sensor  
 Temperature sensor for room installation  
 2" HMI for room mounting with temperature sensor  
 VOC/CO2 sensor for duct mounting  
 PTH-6202 pressure transmitter kit for Constant Pressure regulation

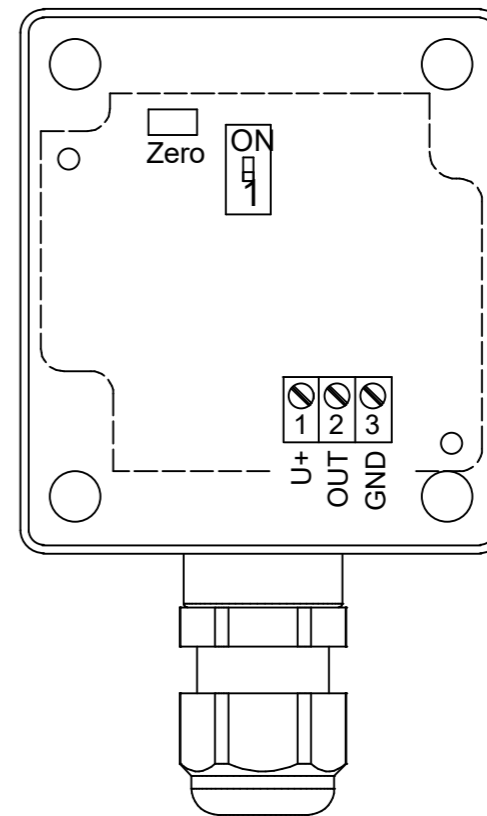
**Signal type**  
 0-10V  
 0-10V  
 0-10V  
 0-10V  
 Digital input  
 Digital input  
 Digital input  
 Digital input  
 Digital input  
 Digital input  
 Digital input & digital output  
 Modbus A  
 Modbus B  
 Modbus A  
 Modbus B  
 Modbus B

	Project:	VEX1000 Accessories	Start date:	31-10-2024	Constructor:	DKTSA	Page:	4
			Revision date:	18-12-2024	Approved by:	DKLEG	Previous page:	3
Drawing number:	Revision:	Page Title:	Replaces:	Scale:	1:1	Next page:	10	
3006851	A	Customer connections terminals	EC no.:	Format:	A3	Pages in total:	24	

0	1	2	3	4	5	6	7	8	9
Single connected item					Multible connected items				
+A1									



	Terminal	3 GND	2 OUT	1 U+
Standard	-X7	:3	:4	:5

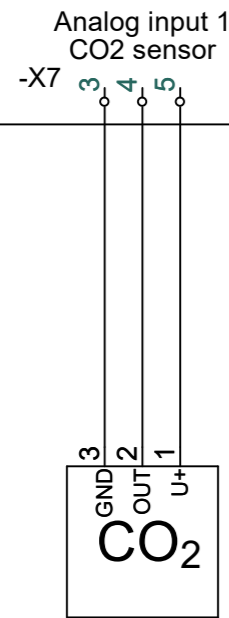


Only one CO2/VOC sensor can be installed

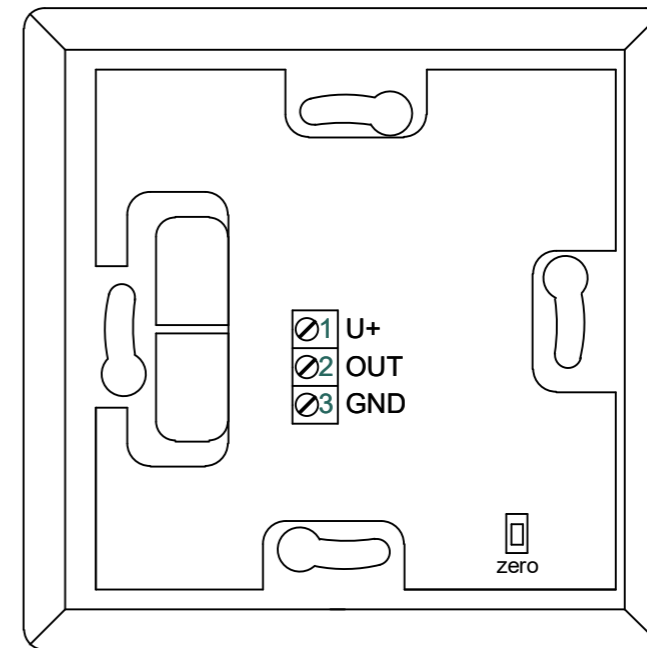
CO2 sensor 0-10V for duct installation

<b>aldes</b>   <b>EXHAUSTO</b> Drawing number: <b>3006851</b>	Revision: <b>A</b>	Project: <b>VEX1000 Accessories</b> Page Title: <b>KCO2-SD</b>	Start date: 31-10-2024	Constructor: DKTSA	Page: 10
			Revision date: 18-12-2024	Approved by: DKLEG	Previous page: 4
			Replaces:	Scale: 1:1	Next page: 11
			EC no.:	Format: A3	Pages in total: 24

0	1	2	3	4	5	6	7	8	9
Single connected item					Multible connected items				
+A1									



	Terminal	3 GND	2 OUT	1 U+
Standard	-X7	:3	:4	:5

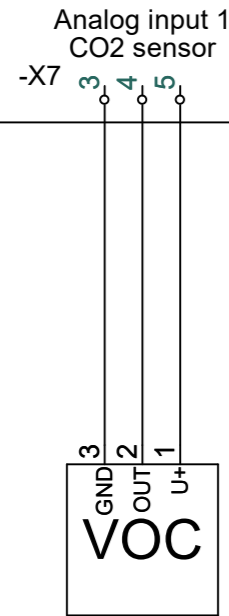


Only one CO2/VOC sensor can be installed

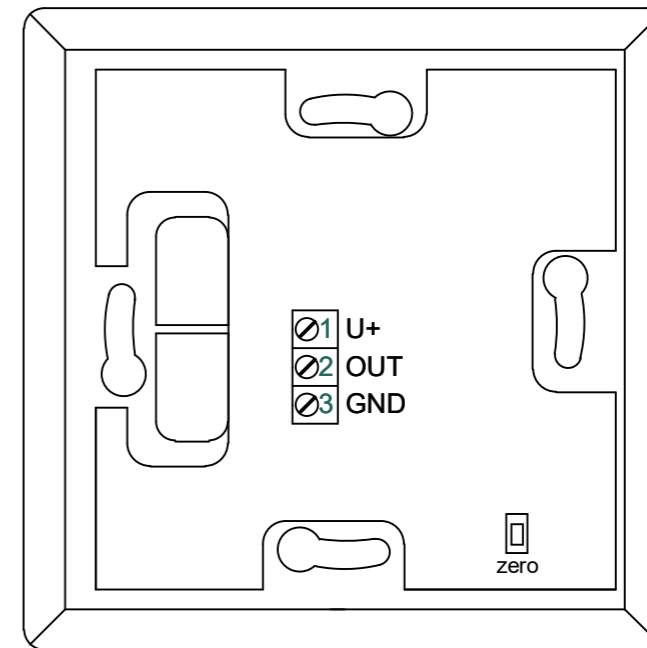
CO2 sensor 0-10V for room installation

<b>aldes</b>   <b>EXHAUSTO</b> Drawing number: <b>3006851</b>	Revision: <b>A</b>	Project: <b>VEX1000 Accessories</b> Page Title: <b>RCO2-SD-U</b>	Start date: 31-10-2024	Constructor: DKTSA	Page: 11
			Revision date: 18-12-2024	Approved by: DKLEG	Previous page: 10
			Replaces:	Scale: 1:1	Next page: 12
			EC no.:	Format: A3	Pages in total: 24

0	1	2	3	4	5	6	7	8	9
Single connected item					Multible connected items				
+A1									



	Terminal	3 GND	2 OUT	1 U+
Standard	-X7	:3	:4	:5

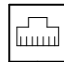


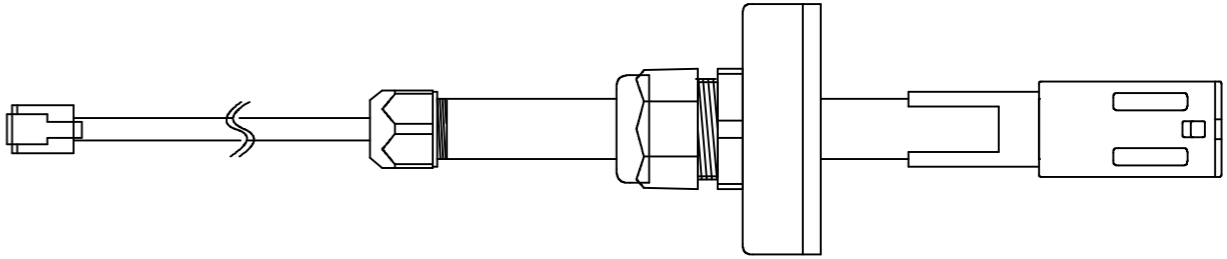
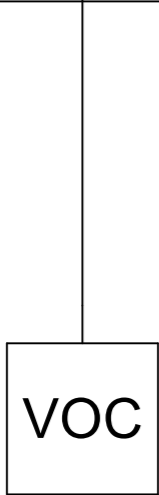
Only one CO2/VOC sensor can be installed

VOC air quality sensor 0-10V for room installation

<b>aldes</b>   <b>EXHAUSTO</b> Drawing number: <b>3006851</b>	Revision: <b>A</b>	Project: <b>VEX1000 Accessories</b> Page Title: <b>RLQ-SD-U</b>	Start date: 31-10-2024	Constructor: DKTSA	Page: 12
			Revision date: 18-12-2024	Approved by: DKLEG	Previous page: 11
			Replaces:	Scale: 1:1	Next page: 13
			EC no.:	Format: A3	Pages in total: 24



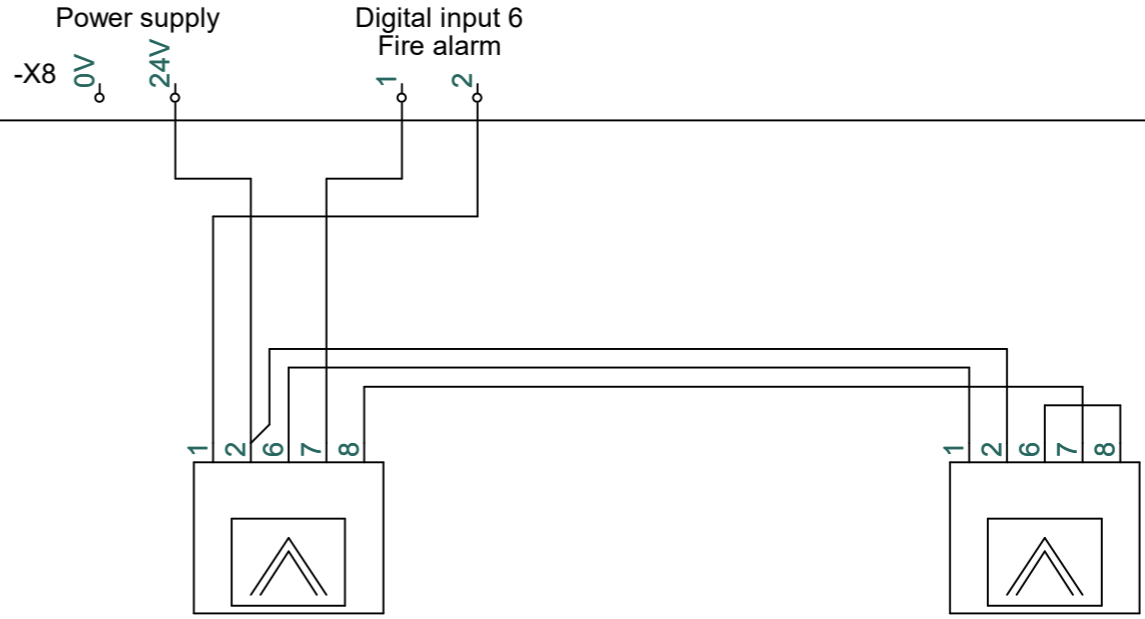
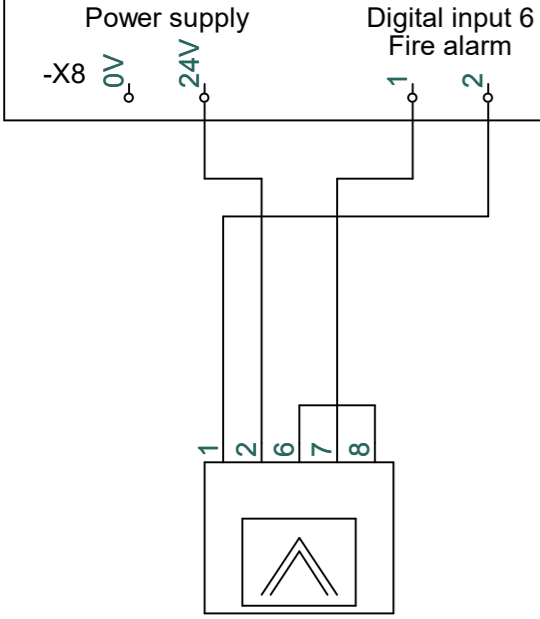
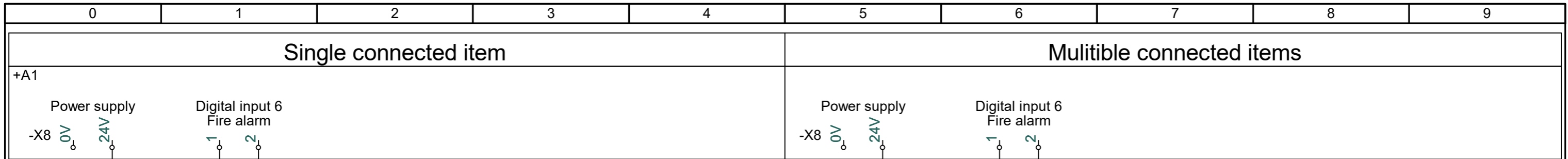
0	1	2	3	4	5	6	7	8	9
Single connected item					Multible connected items				
+A1 Modbus B RS485 									



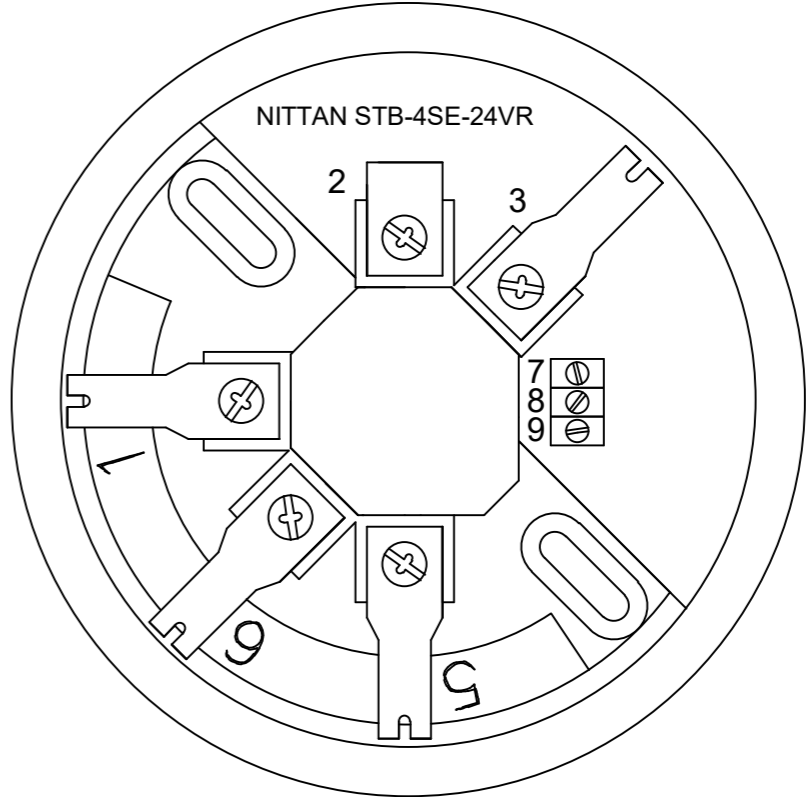
Only one CO2/VOC sensor can be installed

VOC/CO2 sensor for duct installation

<b>aldes</b>   <b>EXHAUSTO</b>	Project: VEX1000 Accessories		Start date: 31-10-2024	Constructor: DKTSA	Page: 13
	Revision: A		Revision date: 18-12-2024	Approved by: DKLEG	Previous page: 12
Drawing number: 3006851	Page Title: VTH-6202	Replaces:	Scale: 1:1	Next page: 14	
		EC no.:	Format: A3	Pages in total: 24	

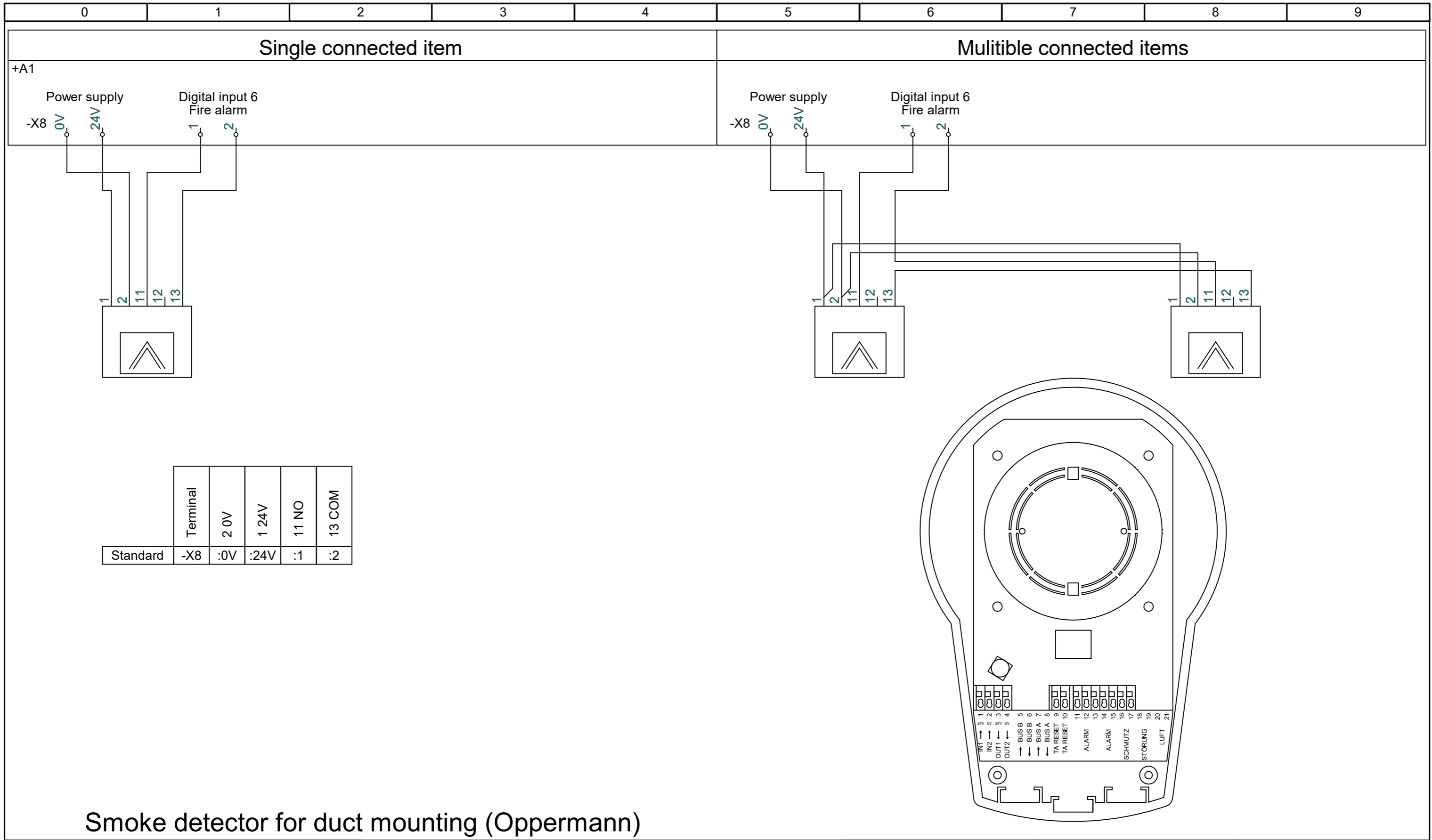


	Terminal	2 +VE In	7 NC	1 -VE in
Standard	-X8	:24V	:1	:2



Smoke detector for rooms

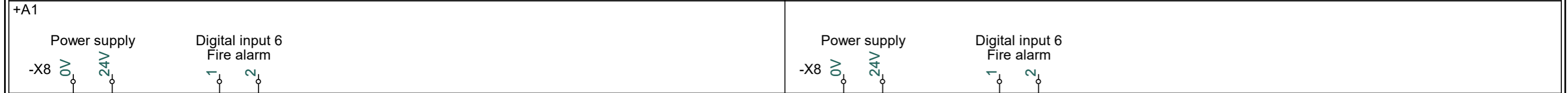
<b>aldes</b>   <b>EXHAUSTO</b>	Project: VEX1000 Accessories	Start date:	31-10-2024	Constructor:	DKTSA	Page:	14
		Revision date:	18-12-2024	Approved by:	DKLEG	Previous page:	13
Drawing number: 3006851	Revision: A	Page Title: SDB		Replaces:	Scale:	Next page:	15
		EC no.:	Format:	A3	Pages in total:	24	



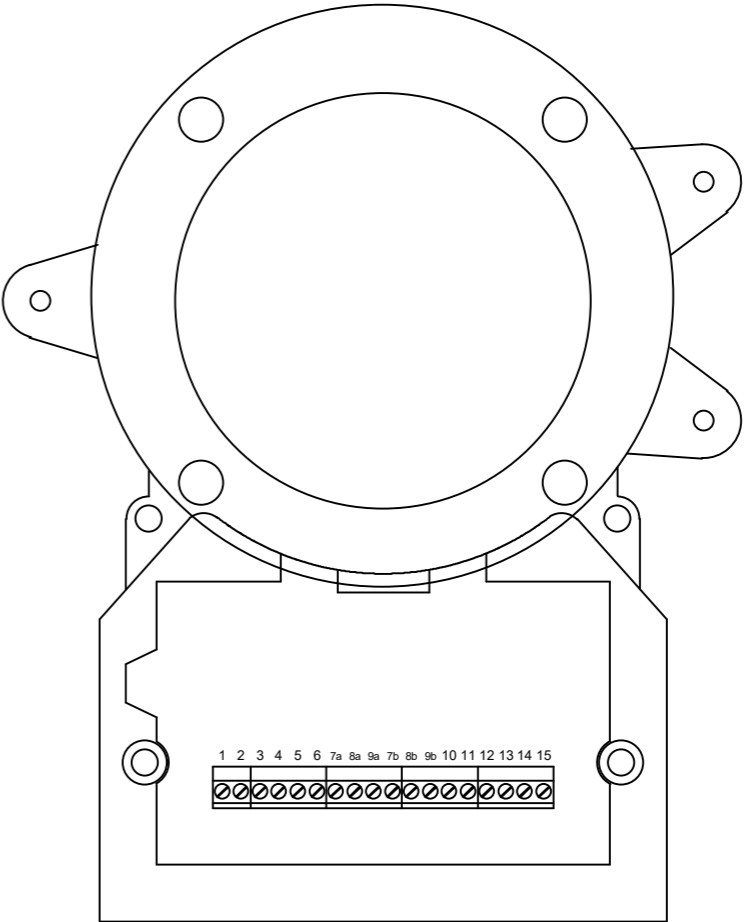
Smoke detector for duct mounting (Oppermann)

	Project:	Start date:	31-10-2024	Constructor:	DKTSA	Page:	15
	VEX1000 Accessories	Revision date:	18-12-2024	Approved by:	DKLEG	Previous page:	14
Drawing number:	Revision:	Page Title:	Replaces:	Scale:	1:1	Next page:	16
3006851	A	KRM-X-2	EC no.:	Format:	A3	Pages in total:	24

Single connected item	Multible connected items
-----------------------	--------------------------



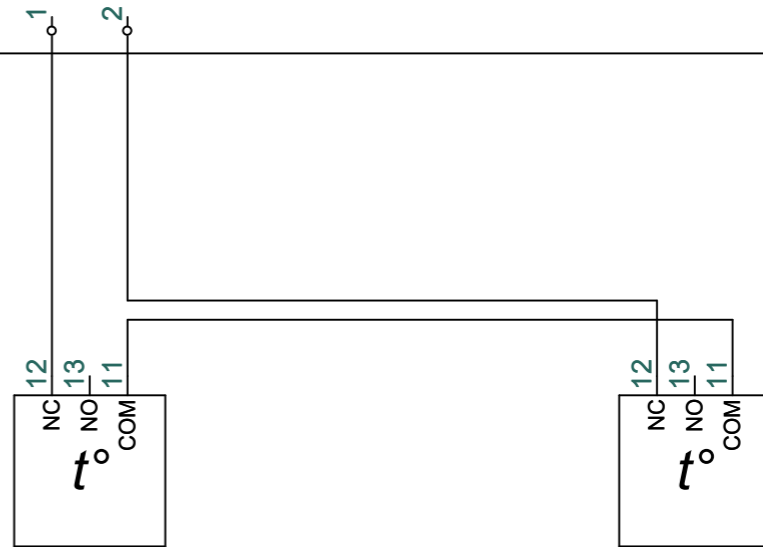
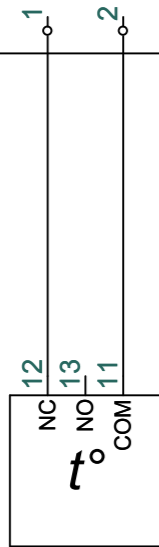
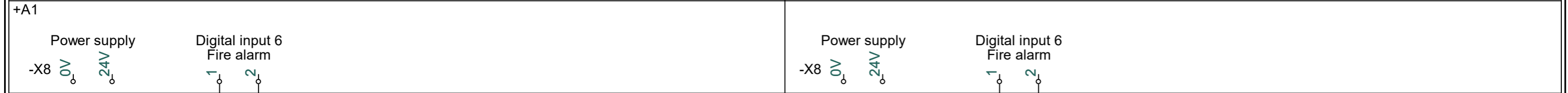
	Terminal	1 AC/DC	2 AC/DC	8A NO	9A COM
Standard	-X8	:0V	:24V	:1	:2



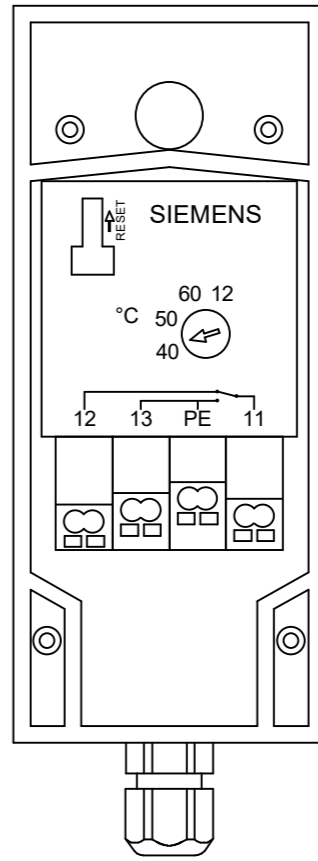
Smoke detector for duct mounting (Calectro)

	Project: <b>VEX1000 Accessories</b>	Start date:	31-10-2024	Constructor:	DKTSA	Page:	16	
		Revision date:	18-12-2024	Approved by:	DKLEG	Previous page:	15	
Drawing number: <b>3006851</b>	Revision: <b>A</b>	Page Title: <b>UG-5-AFR-24V</b>		Replaces:	Scale:	1:1	Next page:	17
		EC no.:	Format:	A3	Pages in total:	24		

Single connected item	Multible connected items
-----------------------	--------------------------

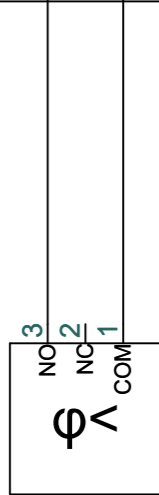
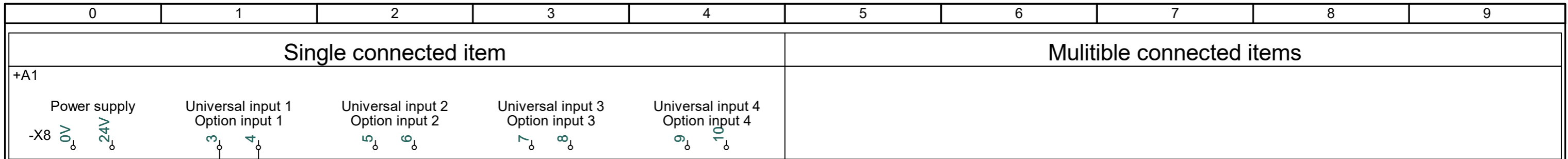


	Terminal		
		12 NC	11 COM
Standard	-X8	:1	:2



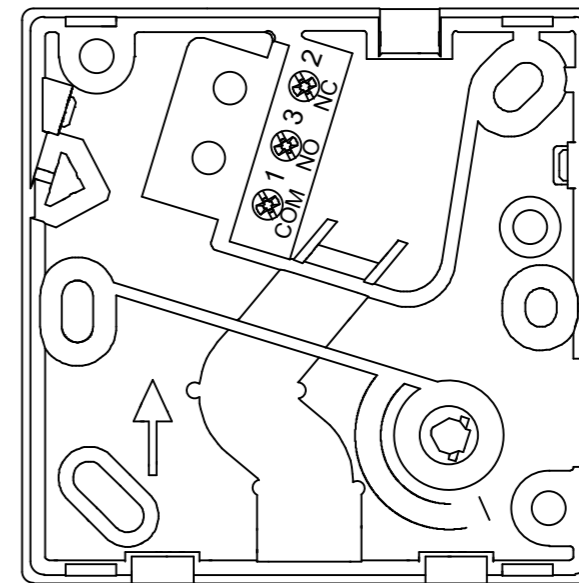
Fire thermostat 40-70°

	Project: <b>VEX1000 Accessories</b>	Start date:	31-10-2024	Constructor:	DKTSA	Page:	17	
		Revision date:	18-12-2024	Approved by:	DKLEG	Previous page:	16	
Drawing number: <b>3006851</b>	Revision: <b>A</b>	Page Title: <b>BT40-70</b>		Replaces:	Scale:	1:1	Next page:	18
		EC no.:	Format:	A3	Pages in total:	24		



	Terminal	3 NO	1 COM
Standard	-X8	:3	:4
Option 1	-X8	:5	:6
Option 2	-X8	:7	:8
Option 3	-X8	:9	:10

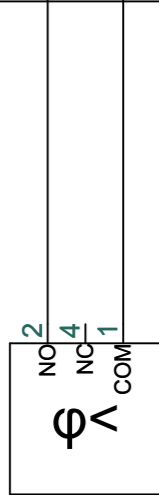
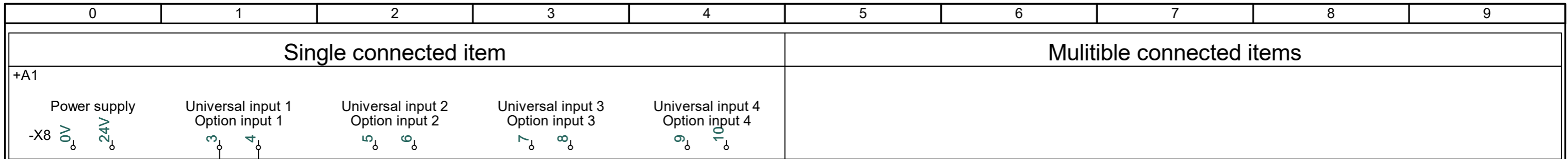
UI1 (standard) is default High Speed mode.  
 Other modes can be selected on Option 1, 2 or 3,  
 if these are available.



Only one hygrostat can be installed

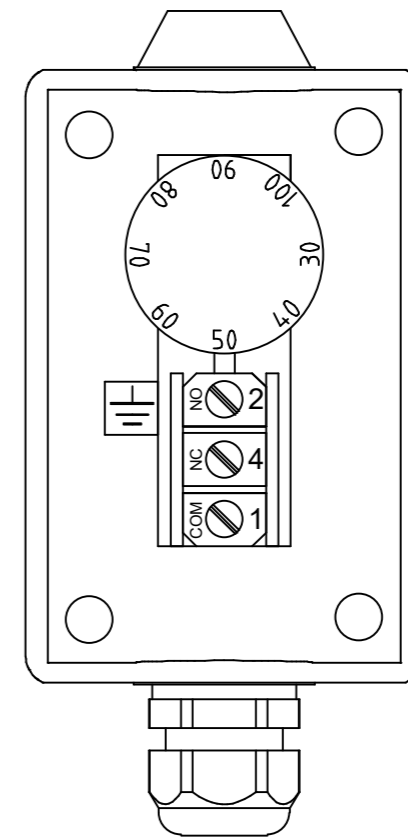
Hygrostat for room installation

<b>aldes   EXHAUSTO</b>	Project: <b>VEX1000 Accessories</b>	Start date:	31-10-2024	Constructor:	DKTSA	Page:	18
		Revision date:	18-12-2024	Approved by:	DKLEG	Previous page:	17
Drawing number: <b>3006851</b>	Revision: <b>A</b>	Page Title: <b>HYRK</b>		Replaces:	Scale:	Next page:	19
		EC no.:	Format:	A3	Pages in total:	24	



	Terminal	2 NO	1 COM
Standard	-X8	:3	:4
Option 1	-X8	:5	:6
Option 2	-X8	:7	:8
Option 3	-X8	:9	:10

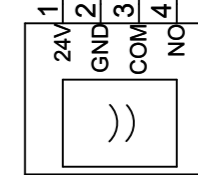
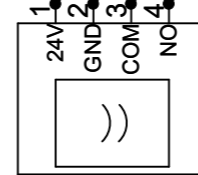
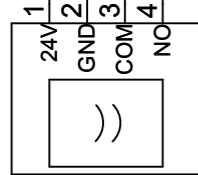
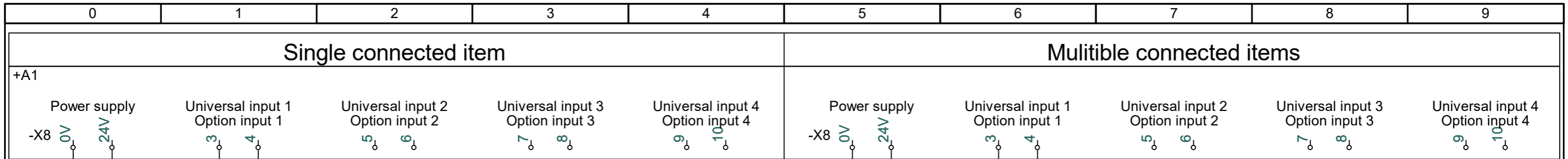
UI1 (standard) is default High Speed mode.  
 Other modes can be selected on Option 1, 2 or 3,  
 if these are available.



Only one hygrostat can be installed

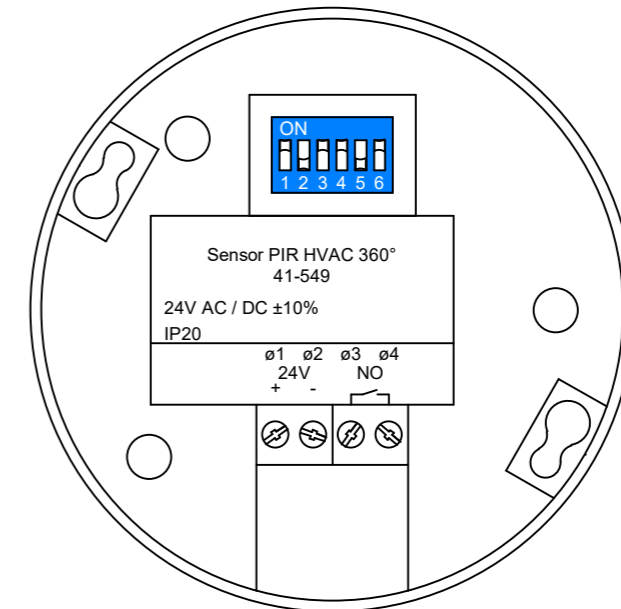
Hygrostat for duct installation

<b>aldes   EXHAUSTO</b>	Project: <b>VEX1000 Accessories</b>	Start date:	31-10-2024	Constructor:	DKTSA	Page:	19
		Revision date:	18-12-2024	Approved by:	DKLEG	Previous page:	18
Drawing number: <b>3006851</b>	Revision: <b>A</b>	Page Title: <b>S-KH-10U</b>		Replaces:	Scale:	Next page:	20
		EC no.:	Format:	A3	Pages in total:	24	



	Terminal	2 GND	1 24V	3 COM	4 NO
Standard	-X8	:0V	:24V	:3	:4
Option 1	-X8	:0V	:24V	:5	:6
Option 2	-X8	:0V	:24V	:7	:8
Option 3	-X8	:0V	:24V	:9	:10

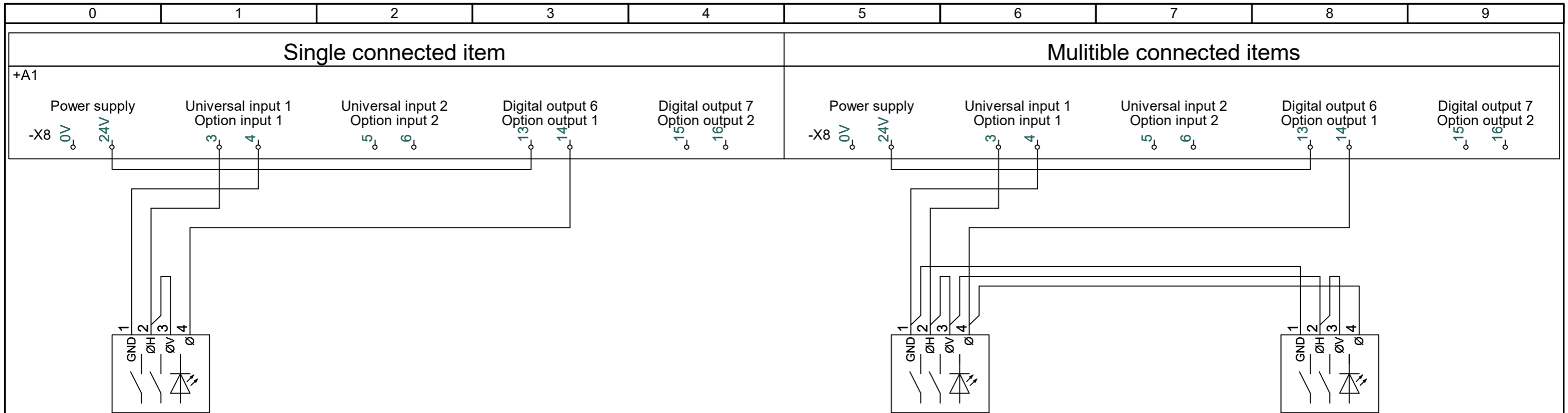
UI1 (standard) is default High Speed mode.  
 Other modes can be selected on Option 1, 2 or 3,  
 if these are available.



## PIR motion detector

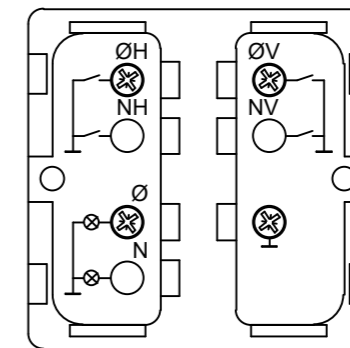
<b>aldes   EXHAUSTO</b>	Project: <b>VEX1000 Accessories</b>	Start date:	31-10-2024	Constructor:	DKTSA	Page:	20
		Revision date:	18-12-2024	Approved by:	DKLEG	Previous page:	19
Drawing number: <b>3006851</b>	Revision: <b>A</b>	Page Title: <b>PIR</b>		Replaces:	Scale:	Next page:	21
		EC no.:	Format:	A3	Pages in total:	24	





	Terminal			
Standard	-X8	:3	:4	:13 :14
		2 ØH	1 GND	-X8:24V
				4 Ø

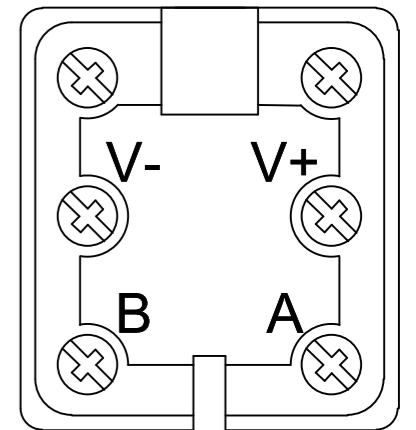
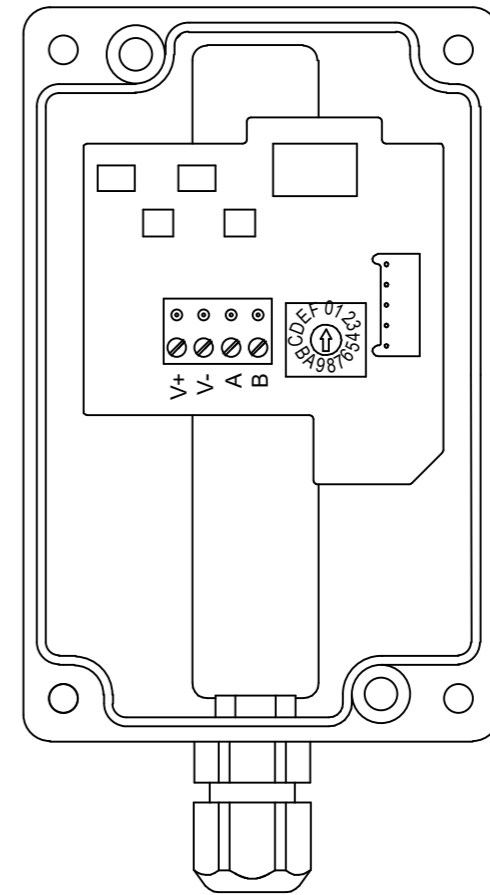
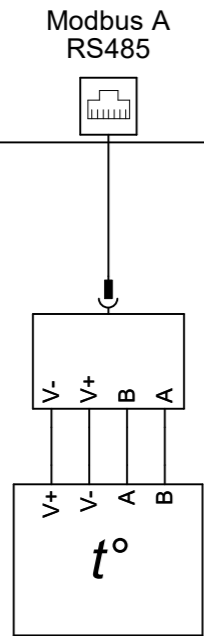
Digital output 6 must be configured as "User relay" and set to "Follow High Speed".



### Timer button with LED indicator

	Project:	VEX1000 Accessories	Start date:	31-10-2024	Constructor:	DKTSA	Page:	21				
	Drawing number:	3006851	Revision:	A	Page Title:	TIMERBUTTON3	Revision date:	18-12-2024	Approved by:	DKLEG	Previous page:	20
							Replaces:		Scale:	1:1	Next page:	22
							EC no.:		Format:	A3	Pages in total:	24

0	1	2	3	4	5	6	7	8	9
Single connected item					Multible connected items				
+A1									

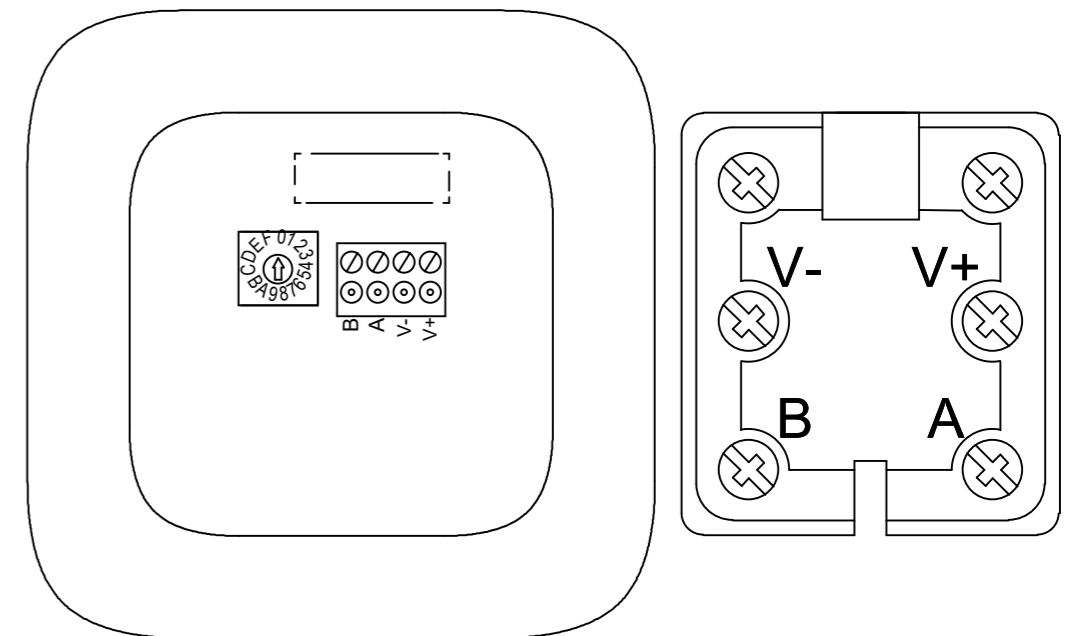
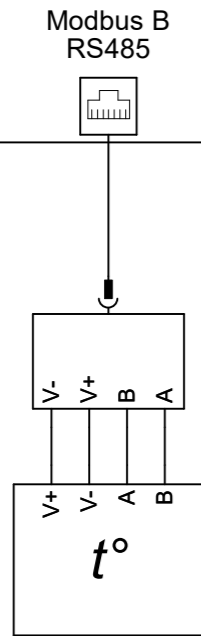


Only one TTH-6040-O can be installed  
Can not be installed together with HMI-20T

External outdoor temperature sensor

<b>aldes</b>   <b>EXHAUSTO</b> Drawing number: <b>3006851</b>	Revision: <b>A</b>	Project: <b>VEX1000 Accessories</b> Page Title: <b>TTH-6040-O</b>	Start date: 31-10-2024	Constructor: DKTSA	Page: 22
			Revision date: 18-12-2024	Approved by: DKLEG	Previous page: 21
			Replaces:	Scale: 1:1	Next page: 23
			EC no.:	Format: A3	Pages in total: 24


0	1	2	3	4	5	6	7	8	9
Single connected item					Multible connected items				
+A1									

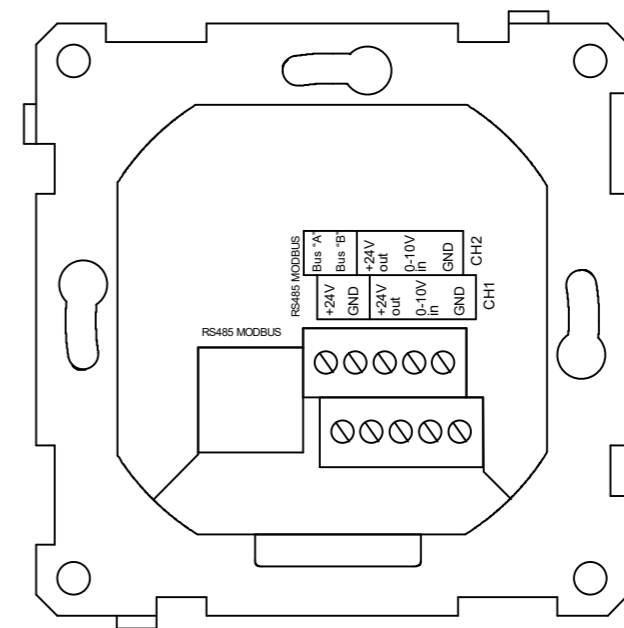
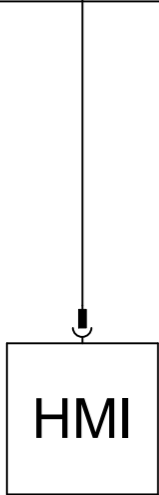


Only one TTH-6040-W can be installed

Room temperature sensor

<b>aldes</b>   <b>EXHAUSTO</b>	Project: VEX1000 Accessories	Start date: 31-10-2024	Constructor: DKTSA	Page: 23
		Revision date: 18-12-2024	Approved by: DKLEG	Previous page: 22
Drawing number: 3006851	Revision: A	Page Title: TTH-6040-W	Replaces:	Scale: 1:1
			EC no.:	Format: A3
				Next page: 24
				Pages in total: 24

0	1	2	3	4	5	6	7	8	9
Single connected item					Multible connected items				
+A1 Modbus A RS485 									

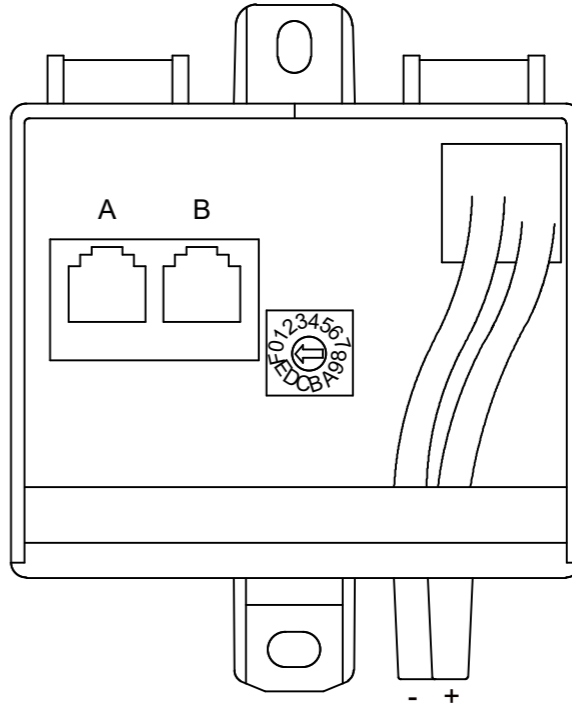
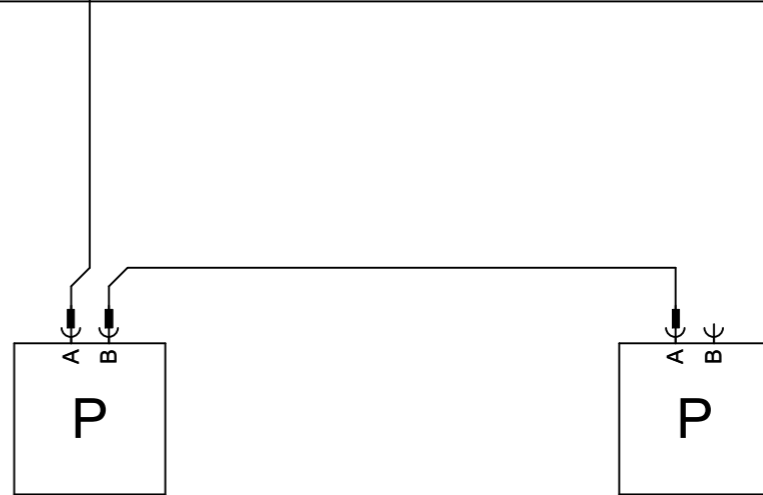
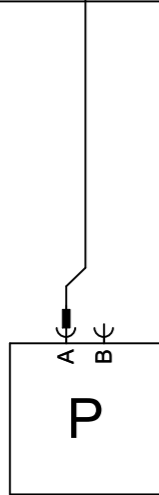
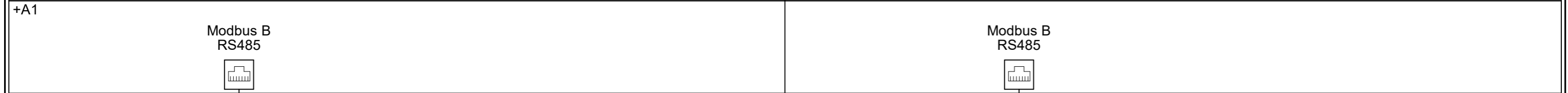


Only one HMI-20T can be installed  
 Can not be installed together with TTH-6040-O

2" HMI for room mounting with temperature sensor

<b>aldes</b>   <b>EXHAUSTO</b>	Project: VEX1000 Accessories	Start date: 31-10-2024	Constructor: DKTSA	Page: 24
		Revision date: 18-12-2024	Approved by: DKLEG	Previous page: 23
Drawing number: 3006851	Revision: A	Page Title: HMI-20T	Replaces:	Scale: 1:1
			EC no.:	Format: A3
				Next page: 25
				Pages in total: 24

Single connected item	Multible connected items
-----------------------	--------------------------

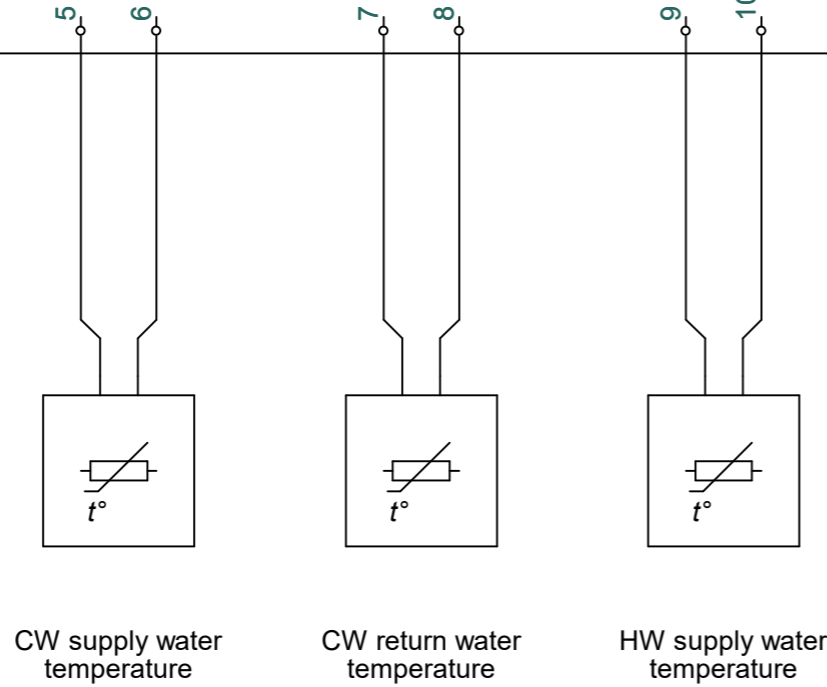


Maximum two PTH4000 can be installed

PTH-6202 pressure transmitter kit for Constant Pressure regulation

<b>aldes</b>   <b>EXHAUSTO</b>	Project: VEX1000 Accessories	Start date:	31-10-2024	Constructor:	DKTSA	Page:	25
		Revision date:	18-12-2024	Approved by:	DKLEG	Previous page:	24
Drawing number: 3006851	Revision: A	Page Title: PTH4000		Replaces:	Scale:	Next page:	26
		EC no.:	Format:	A3	Pages in total:	24	

0	1	2	3	4	5	6	7	8	9
Single connected item					Multible connected items				
+A1 Power supply -X8 0V 24V Universal input 1 Option input 1 3 4 Universal input 2 Option input 2 5 6 Universal input 3 Option input 3 7 8 Universal input 4 Option input 4 9 10									

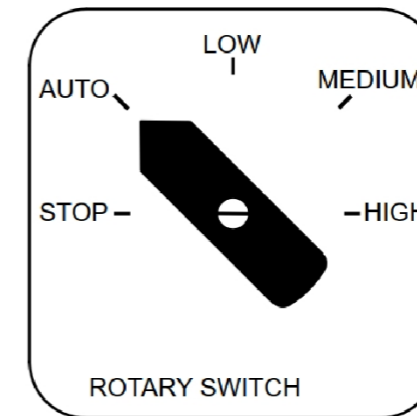
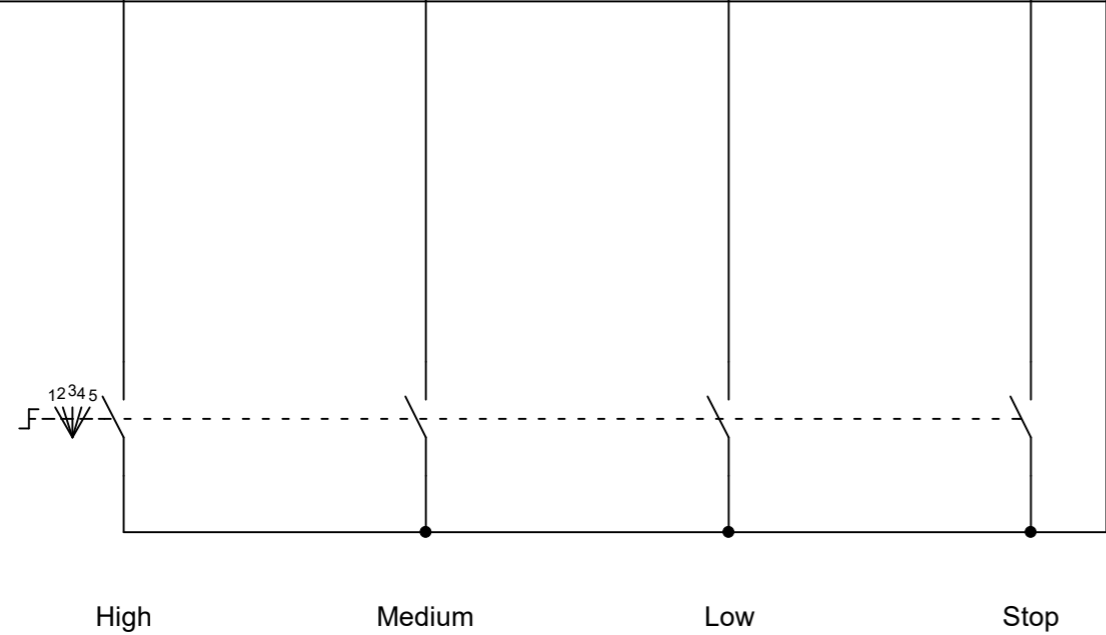


CW supply water temperature      CW return water temperature      HW supply water temperature

### Optional temperature sensors for water coils

	Project: VEX1000 Accessories		Start date: 31-10-2024	Constructor: DKTSA	Page: 26
	Revision: A		Revision date: 18-12-2024	Approved by: DKLEG	Previous page: 25
Drawing number: 3006851	Revision: A	Page Title: PT1000	Replaces:	Scale: 1:1	Next page: 27
			EC no.:	Format: A3	Pages in total: 24

0	1	2	3	4	5	6	7	8	9
Single connected item					Multible connected items				
+A1 Power supply -X8 0V 24V Universal input 1 Option input 1 3 4 Universal input 2 Option input 2 5 6 Universal input 3 Option input 3 7 8 Universal input 4 Option input 4 9 10									



The use of a 5-step switch precludes the connection of other I/O-based accessories to universal inputs 1-4. The 5-step switch is a 3rd-party product and is not supplied by EXHAUSTO.

### External start switch

<b>aldes</b>   <b>EXHAUSTO</b>	Project: VEX1000 Accessories		Start date: 31-10-2024	Constructor: DKTSA	Page: 27
	Revision: A		Revision date: 18-12-2024	Approved by: DKLEG	Previous page: 26
Drawing number: 3006851	Page Title: 5-step switch	Replaces:	Scale: 1:1	Next page: .	
		EC no.:	Format: A3	Pages in total: 24	

