

GB

VEX270H

Mechanical assembly

EXact2 control



Unit supplied with (factory fitted):

- Rotor with standard temperature efficiency
- Rotor with high temperature efficiency
- Compact filters FP
- Bag filter FB
- Trim damper and blowout zone, TB270
- OD (roof for outdoor)
- Webserver
- MLON





The following accessories are supplied separately:

- HCW heating coil
- HCE heating coil
- CCW cold water coil
- DX cooling/heating coil
- Mounting base, MSVEX270H
- Closing damper, LS500x1000, (LSA exhaust)
- Closing damper, LS500x1000, (LSF outdoor)
- Closing damper, LSR500x1000, with spring-return (LSFR outdoor)
- ___ pieces, Fire thermostat, BT40
- ___ pieces, Fire thermostat, BT50
- ___ pieces, Fire thermostat, BT70
- ___ pieces, Control panel, HMI
- ___ pieces, Motion sensor MIO-PIR
- ___ pieces, Constant pressure control, MPT-DUCT
- Humidity sensor, MIO-RH
- CO₂-sensor, MIO-CO₂-DUCT
- CO₂-sensor, MIO-CO₂-ROOM
- Temperature sensor, MIO-TS-DUCT
- Temperature sensor, MIO-TS-ROOM
- Control for external cooling unit, MXCU
- Control for external heating coil, MHCW
- Control for external cold water coil, MCCW
- _____

Serial no.: _____

Prod. order no.: _____

Sales order no.: _____

-  Product information..... Chapter 1 + 6
-  Mechanical assembly..... Chapter 2 + 3
-  Electrical installation..... Chapter 4
-  Maintenance..... Chapter 5

Original instructions



1. Product information

1.1. Model overview	5
Model overview.....	5
1.2. Designations used in these instructions	7
1.3. Application	8
1.4. Location requirements	8
1.4.1. Spatial requirements.....	8
1.4.2. Requirements for underlying surface.....	8
1.4.3. Requirements for duct system.....	9
1.5. Description	9
1.5.1. The VEX unit design.....	9
1.6. Principal dimensions	13
VEX270, V1.....	13
VEX270, V2.....	14



2. Handling

2.1. Unpacking	15
2.2. Transport	15
2.2.1. Weight.....	15
2.2.2. The VEX sections' principal dimensions.....	16
2.2.3. Internal transport with reduced weight.....	16



3. Mechanical assembly

3.1. Installing the unit	19
3.1.1. Removal and assembly instructions	19



4. Electrical installation

4.1. Electrical installation	22
---	-----------



5. Maintenance


5.1. Operating readings via the HMI panel	23
5.2. Maintenance chart	23
5.3. Service	24
5.3.1. Filter change.....	24
5.3.2. Servicing and cleaning.....	24




6. Technical data

6.1. Weight, corrosion class, temperature ranges, etc	26
6.2. Compact filters	28
6.3. Bag filters	29
6.4. Capacity diagram	30
6.5. Ordering spare parts	30

Symbols, terms and warnings

Prohibition symbol  **Failure to observe instructions marked with a prohibition symbol may result in serious or fatal injury.**

Danger symbol  **Failure to observe instructions marked with a danger symbol may result in personal injury and/or damage to the unit.**

Scope

This instruction manual is for use with EXHAUSTO VEX-type air handling units. Please refer to the product instructions regarding accessories and extra equipment.

The instructions must be fully observed to ensure personal safety and to protect the equipment and ensure its correct operation. EXHAUSTO A/S accepts no liability for accidents caused by equipment not used in accordance with the manual's instructions and recommendations.

Supply air/extract air

These instructions use the following terms as given in DS447-2013:

- Supply air (air blown in)
- Extract air (air removed)
- Outdoor air
- Exhaust air

Left/Right

The term R for Right, indicates the supply air is to the right of the cooling unit, as seen from the operating side. The term L for Left, indicates the supply air is to the left.

Front page: Accessories

The front page of the instruction manual contains a checklist, detailing the accessories delivered with the VEX unit.

NB

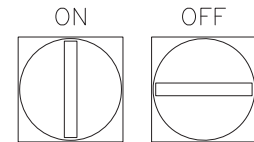
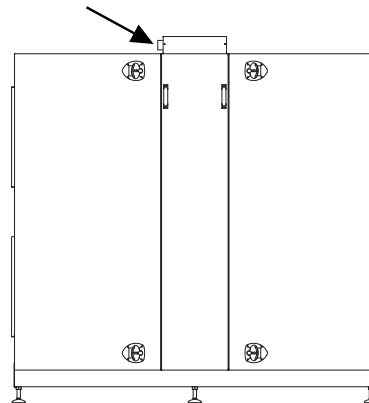
When retrofitting EXHAUSTO accessories, please update the checklist on the front page.

Warnings:

Opening the unit



Do not open the service doors before the supply voltage has been disconnected at the isolation switch and the fans have stopped. The isolation switch is positioned on the left side of the connection box on top of the unit.



RD1218L_wpb_VEX-01

Prohibited



The VEX unit is not to be used to transport solid particles or in areas where there is a risk of explosive gases.

No duct connection

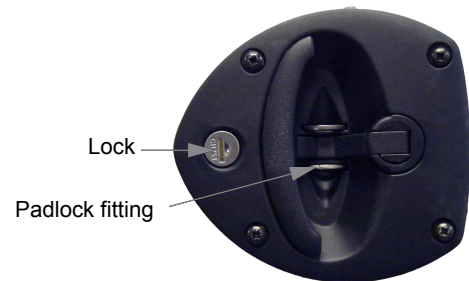


If one or more of the spigots is not connected to a duct: Fit a protective net to the spigots with a maximum mesh width of 20 mm (in accordance with EN294).

Lock the air handling unit during operation

The VEX unit must always be locked during operation:

- Use the cylinder lock in the handle. **Remember** to remove the key from the lock.
- Or use a padlock. Use the handle's built-in padlock fixture.



Rating plate

The VEX unit rating plate shows:

- VEX unit, type (1)
- production number (2)

EXHAUSTO		CE	
<small>Odensevej 76 · DK-5550 Langeskov · Danmark Telefax +45 6566 1110 · Telefon +45 6566 1234</small>			
Type	V280H2EA2	← Icu = 10kA	1
	No./Year 1234567/2016	←	2
Supply	Voltage: 3x400V+N+PE ~50Hz	Current: 34A	
ECO design	η = 59,0% (A) N62 (2015) N = 65,1 VSD integrated		

NB

Always have the production number ready when contacting EXHAUSTO A/S.



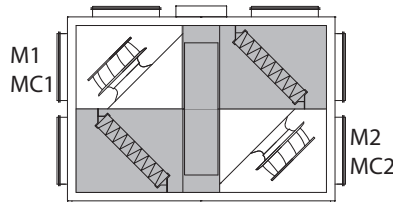
1. Product information

1.1 Model overview

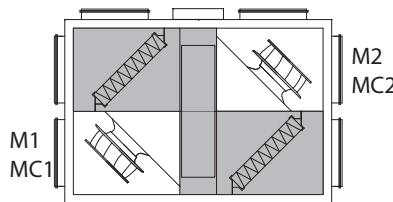
Model overview

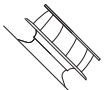
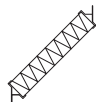

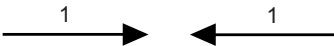
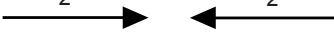
Positioning of fan, motor (M) and motor control (MC)

Fan placement 1 (V1)



Fan placement 2 (V2)

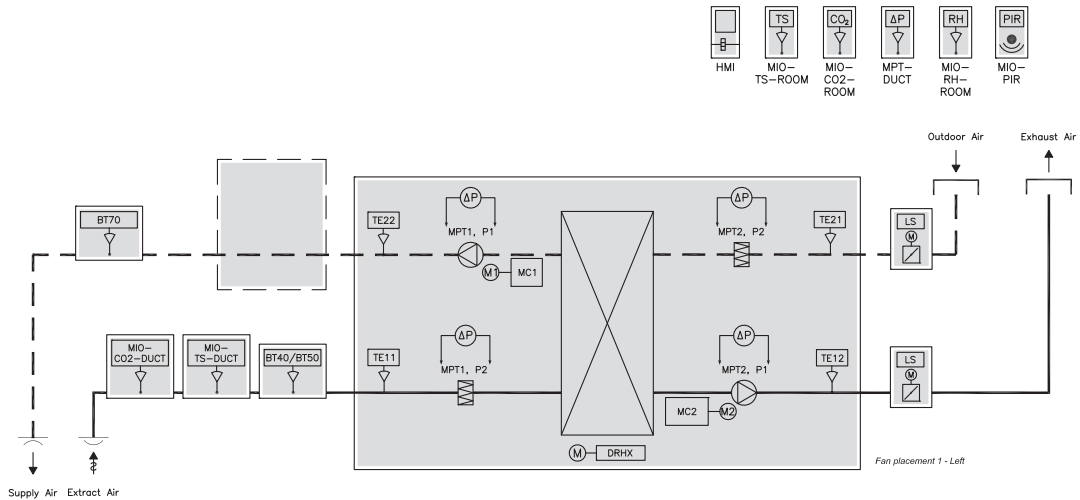


Elements	Description
	Fan
	Compact filter
	Bag filter
1,1,A or B	Extract air spigot
1,2,A or B	Exhaust air spigot
2,1,A or B	Outdoor air spigot
2,2,A or B	Supply air spigot
	Air direction, extract air
	Air direction, supply air

Optional spigot positions in relation to fan placement and filter type		
Fan placement and airflows	Compact filters	Bag filters
<p>Fan placement 1, Right</p>		
<p>Fan placement 1, Left</p>		
<p>Fan placement 2, Right</p>		
<p>Fan placement 2, Left</p>		

1.2 Designations used in these instructions

The simplified diagram shows a VEX unit with LEFT fan placement.



Component	Function
BT40/BT50 ¹⁾	Fire thermostat, 40°C/50°C (extract air)
BT70 ¹⁾	Fire thermostat 70°C (supply air)
MC1	Motor control, motor 1 (extract air)
MC2	Motor control, motor 2 (supply air)
HMI ¹⁾	Control panel
LS ¹⁾	Closing damper, outdoor air/exhaust air
M1	Fan motor 1
M2	Fan motor 2
MIO-CO ₂ -DUCT ¹⁾	CO ₂ sensor, duct
MIO-CO ₂ -ROOM ¹⁾	CO ₂ sensor, room
MIO-PIR ¹⁾	PIR sensor
MIO-RH-ROOM ¹⁾	Humidity sensor
MIO-TS-ROOM ¹⁾	Temperature sensor, room
MIO-TS-DUCT ¹⁾	Temperature sensor, extract air (external)
MPT1, P1	Airflow control, supply air
MPT1, P2	Filter monitor, extract air
MPT2, P1	Airflow control, extract air
MPT2, P2	Filter monitor, outdoor air
MPTDUCT ¹⁾	Pressure transmitter, constant pressure regulation
DRHX	Control unit for the rotary heat exchanger
TE11	Temperature sensor, extract air
TE12	Temperature sensor, exhaust air
TE21	Temperature sensor, outdoor air
TE22	Temperature sensor, supply air

¹⁾Accessory. See checklist on the front page of these instructions.

1.3 Application

Comfort ventilation EXHAUSTO VEX is used for comfort ventilation tasks. Operating temperature range for the unit – see section "Technical data".

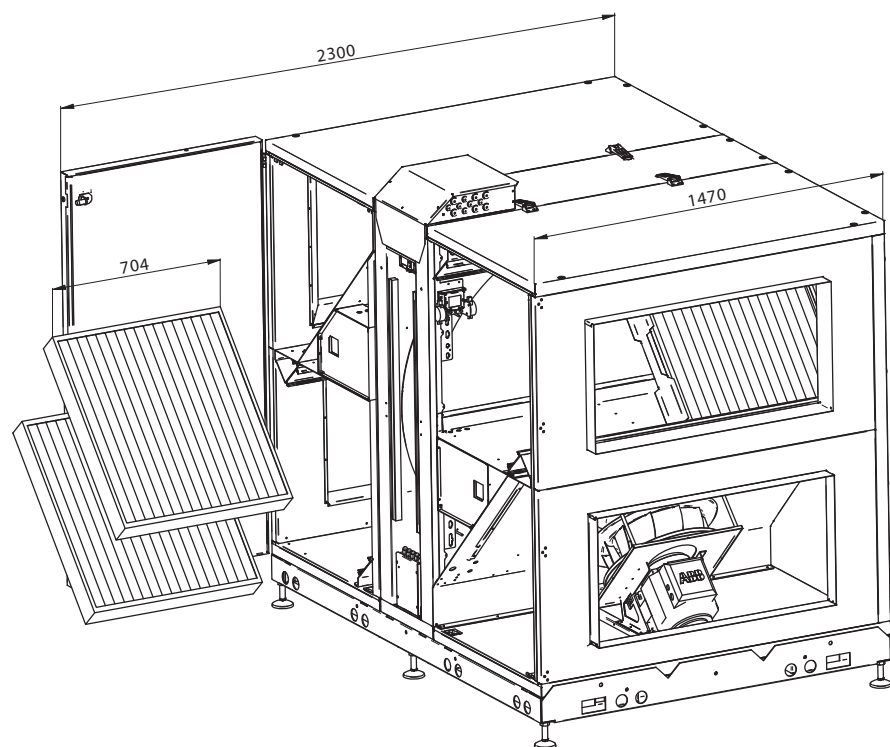
Prohibited uses The VEX unit is not to be used to transport solid particles or in areas where there is a risk of explosive gases.

1.4 Location requirements

Positioning The air handling unit is designed for indoor fitting. The air handling unit can be ordered for outdoor installation (accessory Outdoor, OD).

1.4.1 Spatial requirements

The drawing below indicates how much space is needed for servicing, replacing filters, cleaning, etc.



RD11621-02

NB: A free height of at least 200 mm is required above the unit's connection box.

1.4.2 Requirements for underlying surface


When fitting the unit directly, the surface must be:

- flat
- level
- hard
- resistant to vibration

1.4.3 Requirements for duct system


Silencers The duct system must be fitted with silencers specified by the Project Manager, which meet the requirements of the operating area.

Bends A duct bend may be fitted immediately after the unit, because the airflow in the spigot has a uniformly moderate speed profile, which results in negligible system pressure loss.

Insulation  **The duct system must be insulated against:**

- condensation
- sound leakage
- heating/cooling losses

Condensation Condensation in the ducts may occur when the exhaust/outdoor air has high humidity. EXHAUSTO recommends a condensation outlet is also fitted at the lowest point in the ducts.

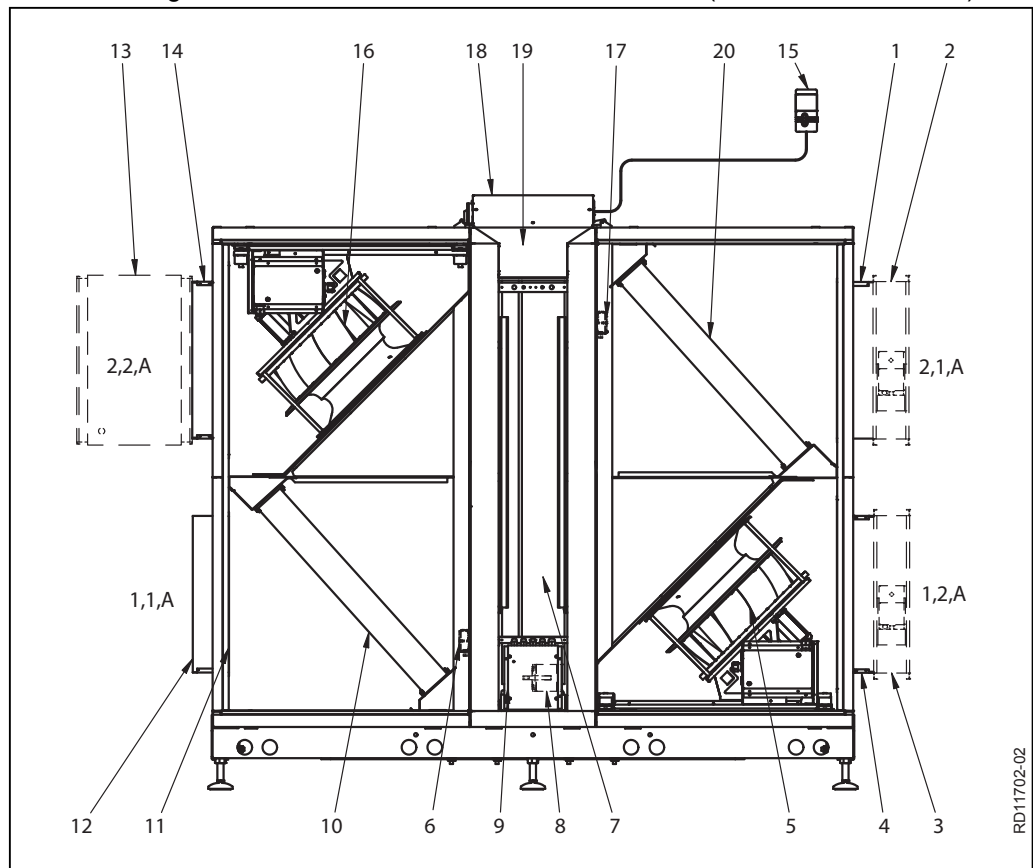
No duct connection  **If one or more of the spigots is not connected to a duct: Fit a protective net to the spigots with a maximum mesh width of 20 mm.**

1.5 Description

1.5.1 The VEX unit design

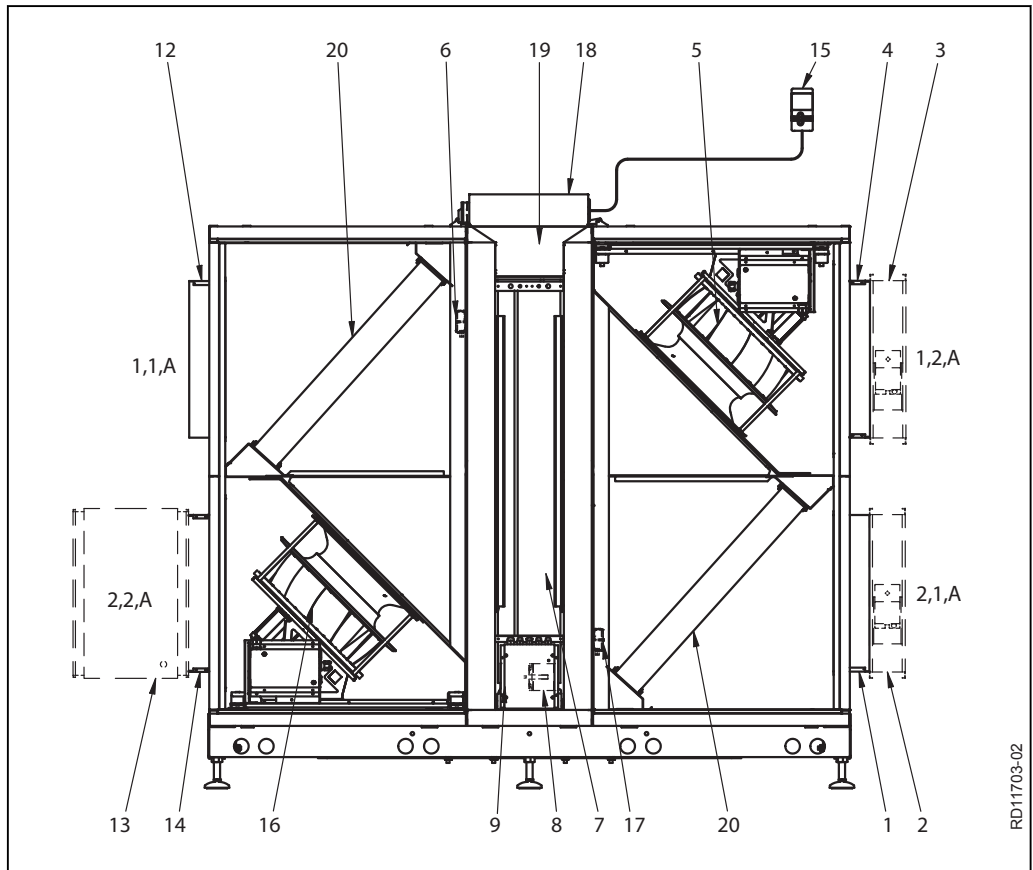
VEX200L - V1

The drawing below illustrates the construction of the unit (without service doors).



RD11702-02

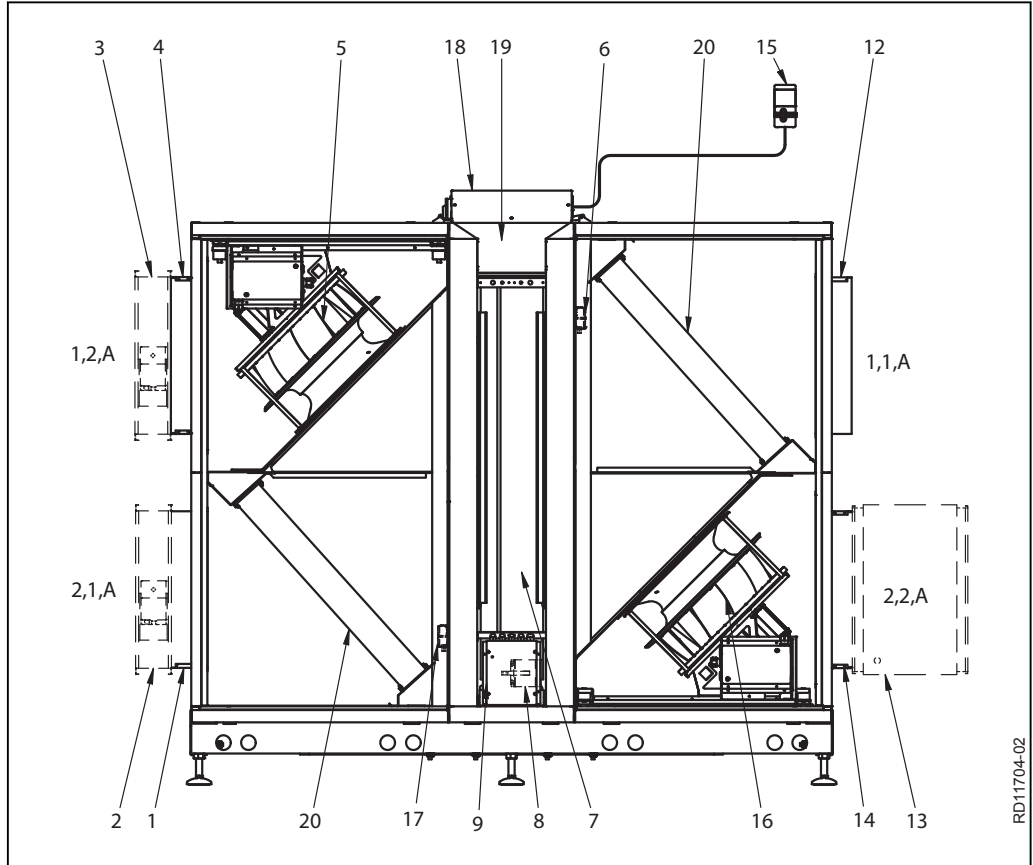
VEX200L - V2



RD11703-02

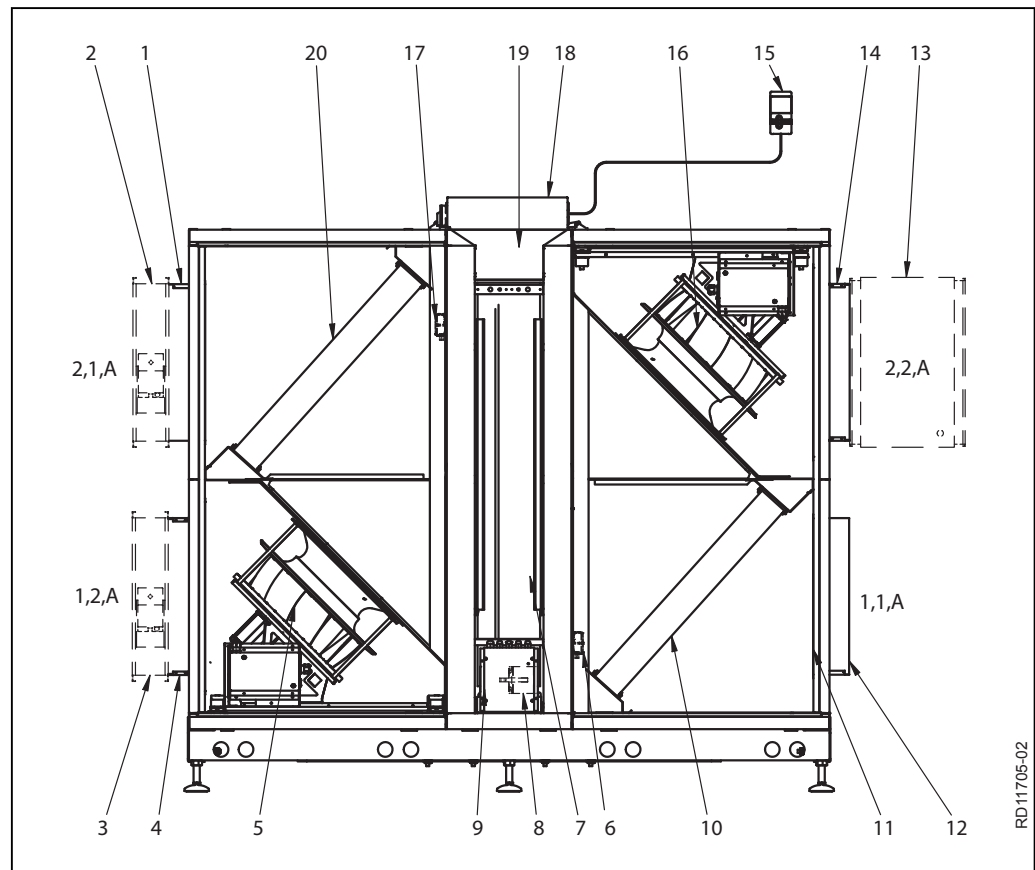
VEX200R - V1

The drawing below illustrates the construction of the unit (without service doors).



RD11704-02

VEX200R - V2



Pos. no.	Part	Function
1	Spigot 2.1.A	Outdoor air spigot The spigot can also be positioned on the top or in the bottom of the unit (2,1,B) – though only on units with compact filters
2	Closing damper LS	Closing damper, outdoor air, LSF (accessory)
3	Closing damper LS	Closing damper, exhaust air, LSA (accessory)
4	Spigot 1.2.A	Exhaust air spigot The spigot can also be positioned at the bottom of the air handling unit (1.2.B).
5	Fan unit	For extract air/exhaust air
6	MPT1	Measurement of pressure in extract air duct
7	Rotary heat exchanger	Conducts heat from extract air to supply air
8	Step motor	Drives the rotary heat exchanger via the drive belt
9	Rotor control	Controls and monitors the step motor
10	Extract air filter	Filters extract air.
11	Trim damper	The trim damper (accessory) ensures there is pressure balance across the rotor and seals to prevent extract air from entering the supply air. Used with blowout zone (accessory)
12	Spigot 1.1.A	Extract air spigot The spigot can also be positioned in the bottom of the unit (1,1,B) – though only on units with compact filters.
13	Heating coil	Heats supply air if heat recovery is insufficient (accessory)
14	Spigot 2.2.A	Supply air spigot. The spigot can also be positioned on the top of the air handling unit (2.2.B)

Pos. no.	Part	Function
15	HMI panel	Operation of the control system
16	Fan unit	For outdoor air/supply air
17	MPT2	Measures pressure in supply air duct
18	Connection box	Connection box for supply voltage, external ventilation components, HMI panel, BMS and Ethernet
19	Control system	Positioning of control system components
20	Outdoor air filter	Filters outdoor air

Cabinet

The inside and outside of the cabinet is made of Aluzinc® and insulated with 50 mm mineral wool.

Ventilators

The unit has a centrifugal fan for extract air and a centrifugal fan for supply air

Rotary heat exchanger

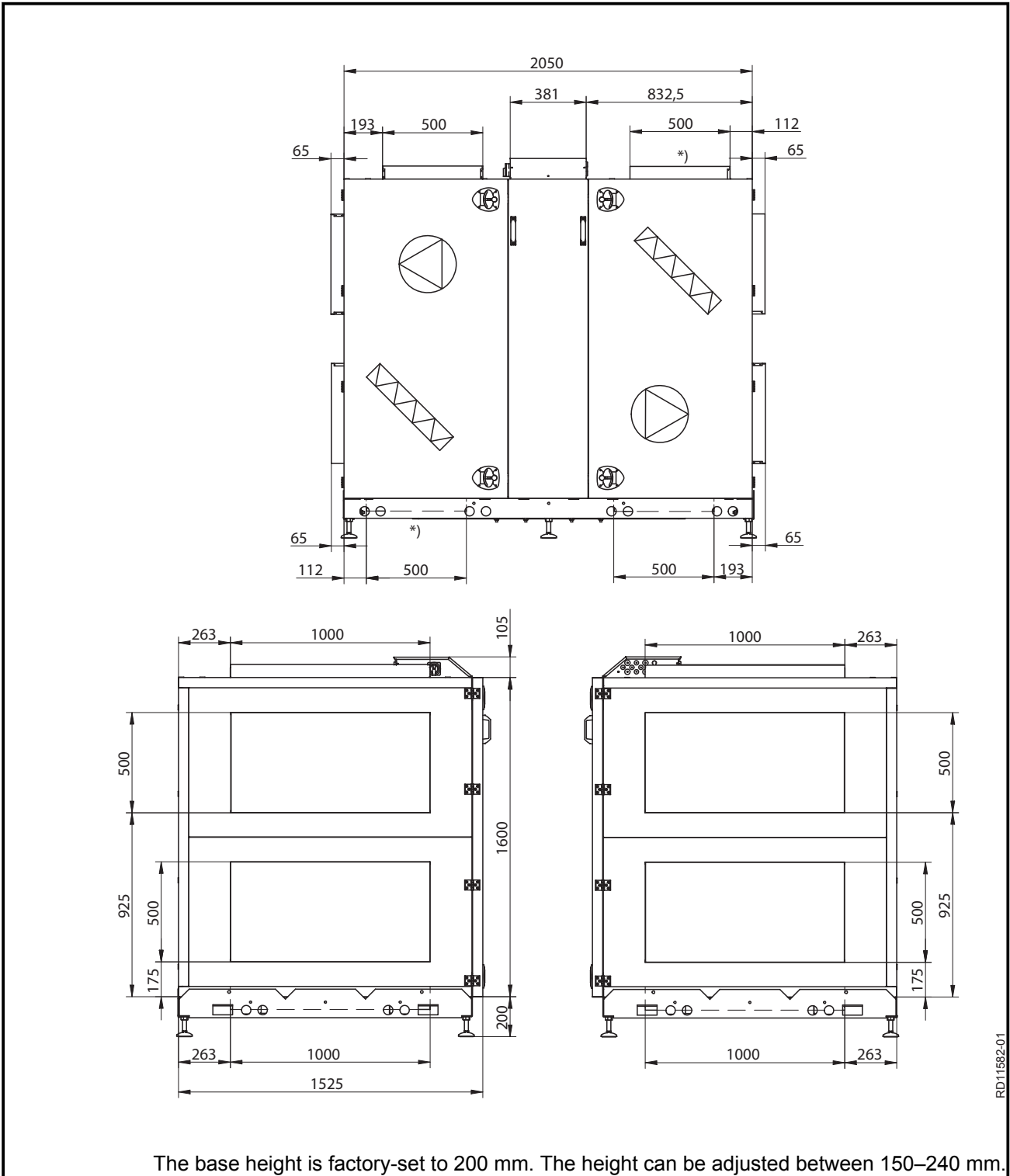
The rotary heat exchanger is driven by a step motor with rotor control, which controls the rotor's speed.

Filters

There are built-in compact filters (as shown on the drawings on the previous pages) or bag filters on both the extract air and supply air side.

1.6 Principal dimensions

VEX270, V1



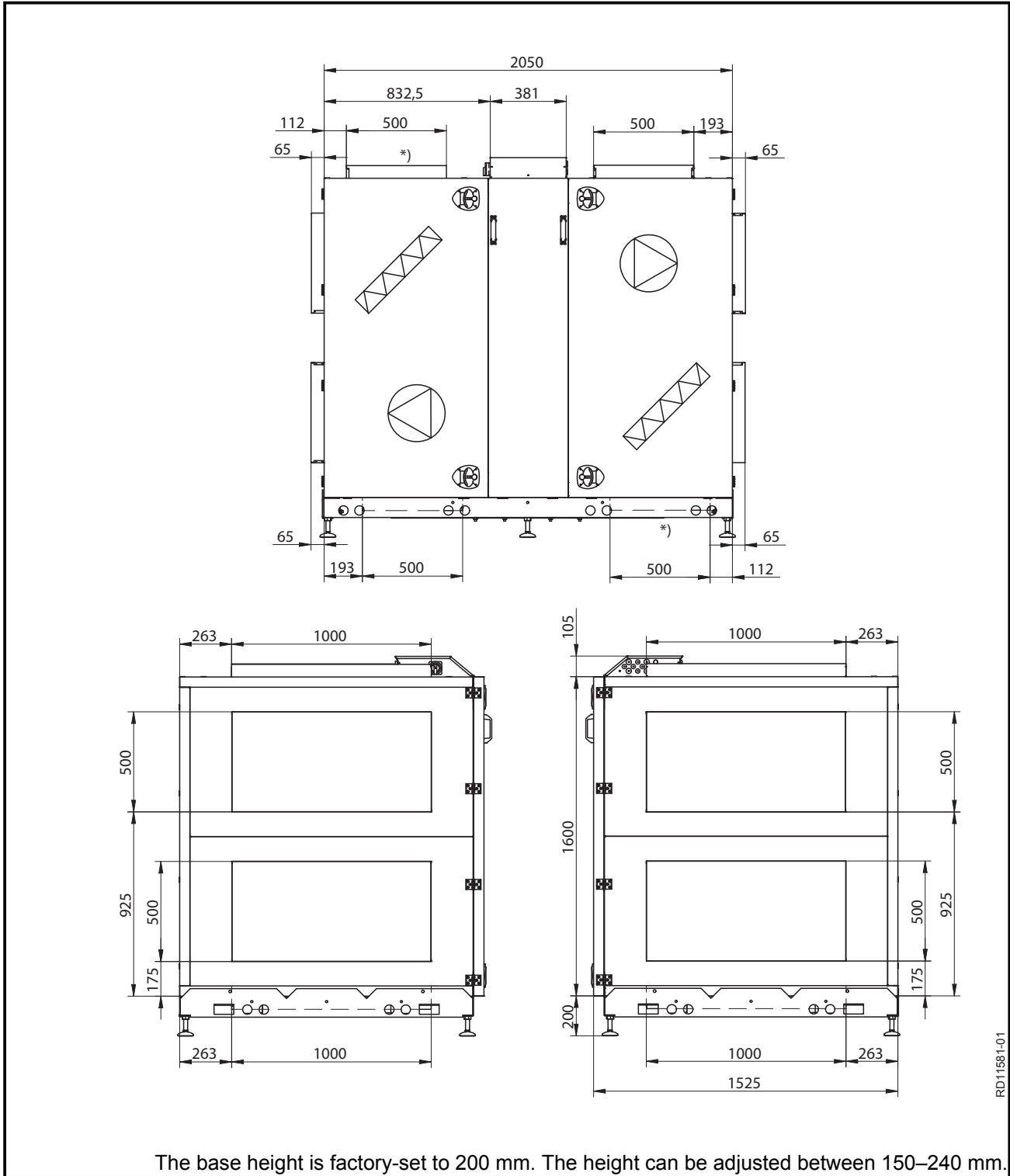
The base height is factory-set to 200 mm. The height can be adjusted between 150–240 mm.

NB

The drawing shows all of the spigot positioning options. Spigot positioning marked with * is not available for VEX units with a bag filter.

RD11682-01

VEX270, V2



The base height is factory-set to 200 mm. The height can be adjusted between 150–240 mm.

NB

The drawing shows all of the spigot positioning options. Spigot positioning marked with * is not available for VEX units with a bag filter.

RD11581-01



2. Handling

2.1 Unpacking

Supplied components

The following components are supplied:

- VEX unit
- Supplied with accessories (as indicated in the checklist on the front page of the instructions)

Packaging

The unit is delivered attached to a disposable pallet and packed in clear plastic.

NB

Once the plastic has been removed, the unit must be protected from dirt and dust.

When fitting without separating the sections:	When fitting where the sections have been separated:
<ul style="list-style-type: none"> • The covers on the spigots must not be removed until the spigots are connected to the ventilation ducts • Whenever possible, keep the unit closed during fitting • After it has been in operation for a short period, the VEX unit must be vacuum-cleaned inside to remove debris that may have accumulated from the duct connections 	<ul style="list-style-type: none"> • Once the unit is fitted, it must be checked and thoroughly cleaned. All dust, debris and metal shavings must be vacuumed up

2.2 Transport

Transport equipment

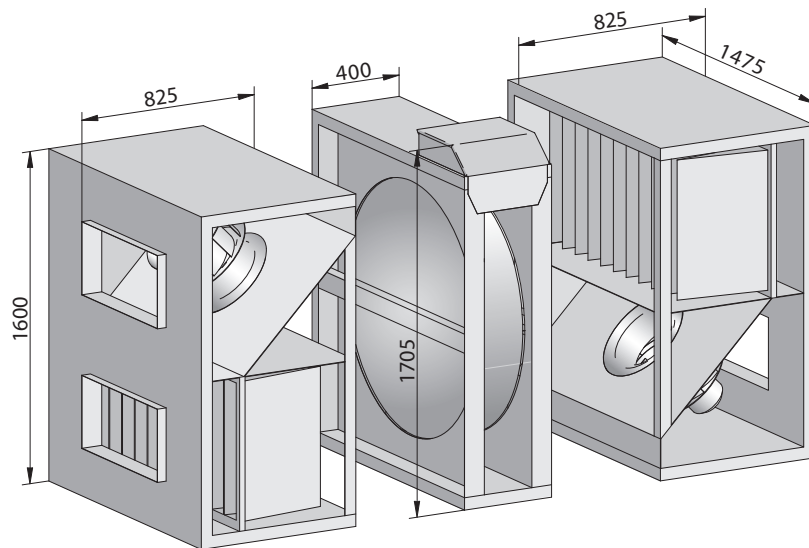
See the supplementary instructions "3002454, Transport of VEX260-270" for the transport and handling of the VEX.

2.2.1 Weight

The unit weighs 722 kg

2.2.2 The VEX sections' principal dimensions

Measurements are based on the exact dimensions of the VEX unit.



RD12475-01

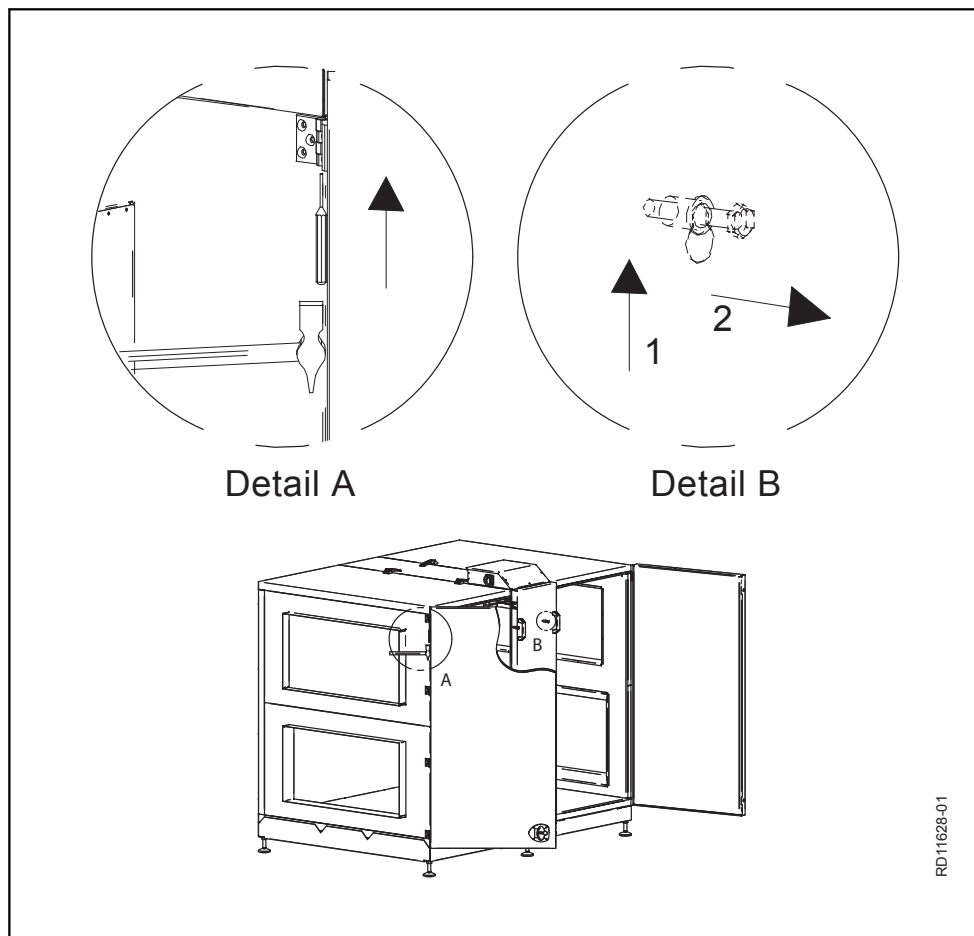
2.2.3 Internal transport with reduced weight

Weight reduction

The weight can be reduced during transport by removing the service doors and fan units.

Removing the service doors

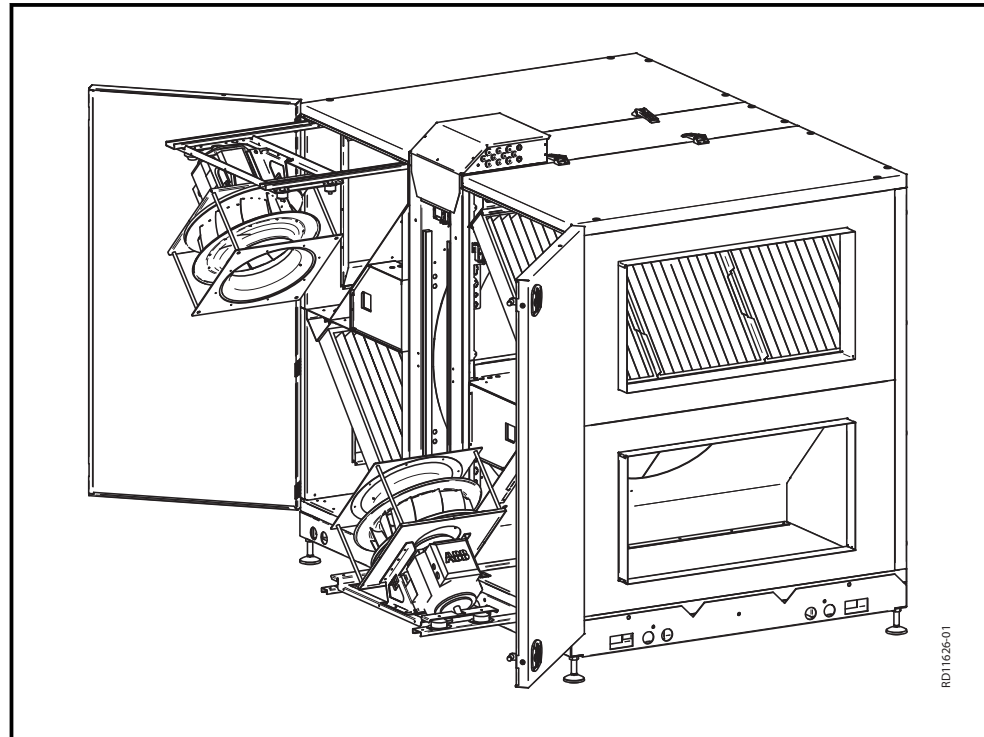
To remove the service doors:



RD11628-01

- | | |
|----------|---|
| A | <ul style="list-style-type: none"> ● Open both doors. ● Tap the hinge door pin out from below using a small pin bolt or similar ● Lift the doors off |
| B | <ul style="list-style-type: none"> ● Lift the middle door ● Pull it horizontally from the unit to release it from the two steering bolts. |

To remove the fan unit



Step	Action
1	Remove the fixing screws on the sliding rail (out towards the operating side)
2	Loosen the bindings on the motor cable and the measuring hose
3	Pull the fan unit out to the end-stop (a screw on each rail acts as a stop)
4	Remove the supply cable and modbus cable in the motor control box
5	Remove the measuring hose which is fixed to the intake
6	Remove the two end-stop screws (one on each rail). The fan unit can now be lifted off.
<p>NB: A single fan unit weighs 40 kg.</p>	



3. Mechanical assembly

3.1 Installing the unit

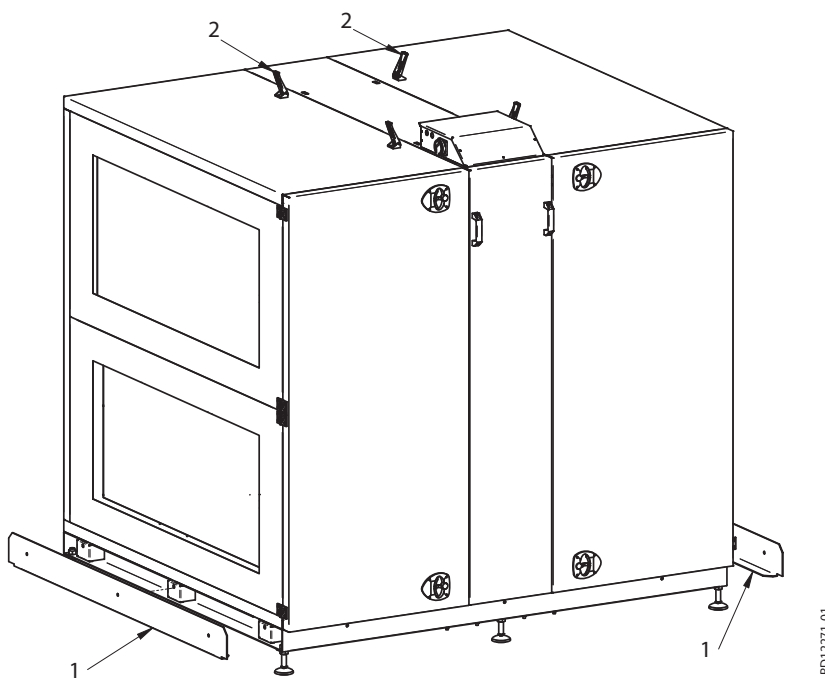
3.1.1 Removal and assembly instructions

The VEX unit is supplied mounted on its base. It may be removed, if necessary, to facilitate internal transport, as directed in this section.

Step 1	Step 2	Step 3
Step 4		

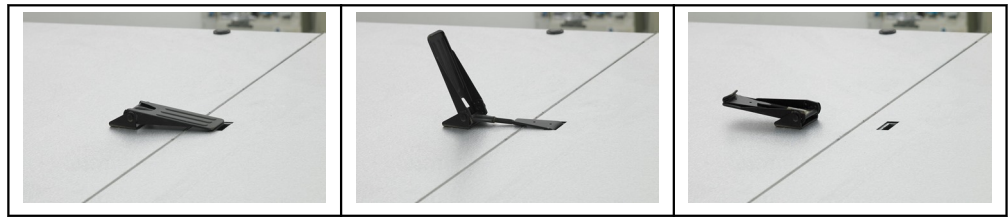
Step 1, Assemble the panels

- Removing the assembled base sides (1)



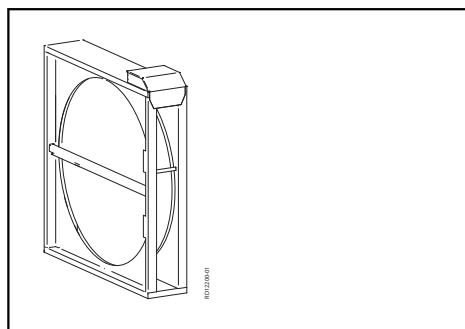
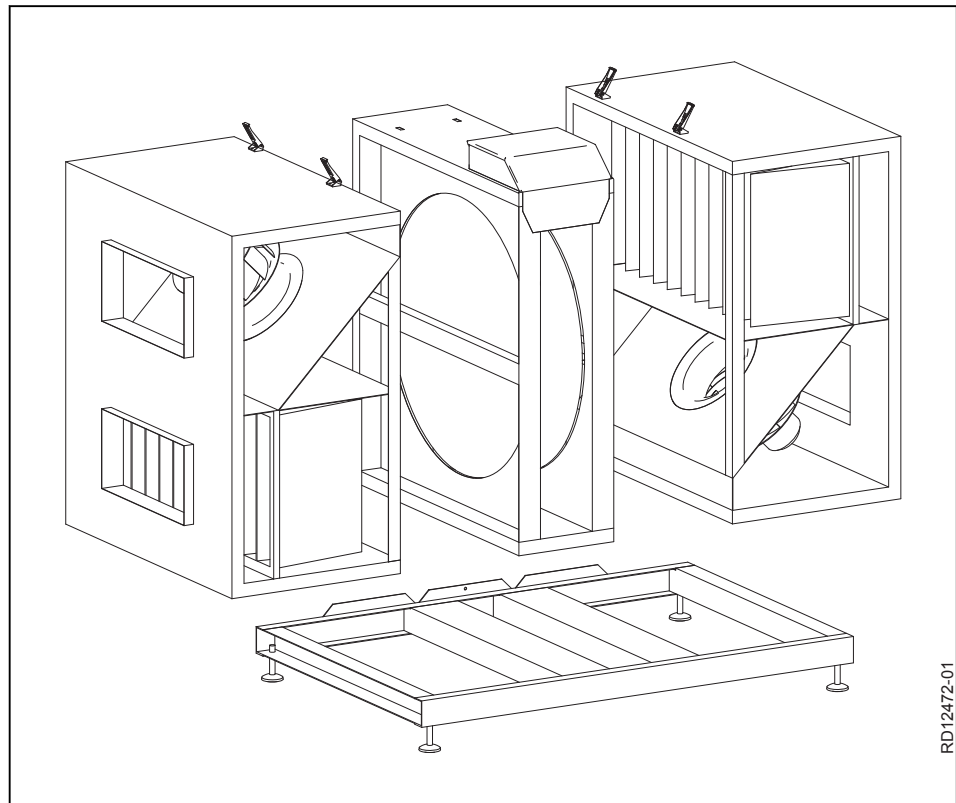
Step 2, Top fixtures

- Open the four fittings (2) on the top of the VEX.



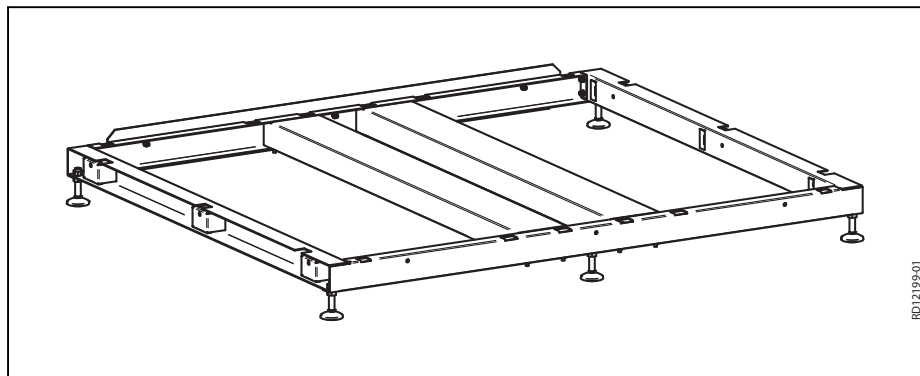
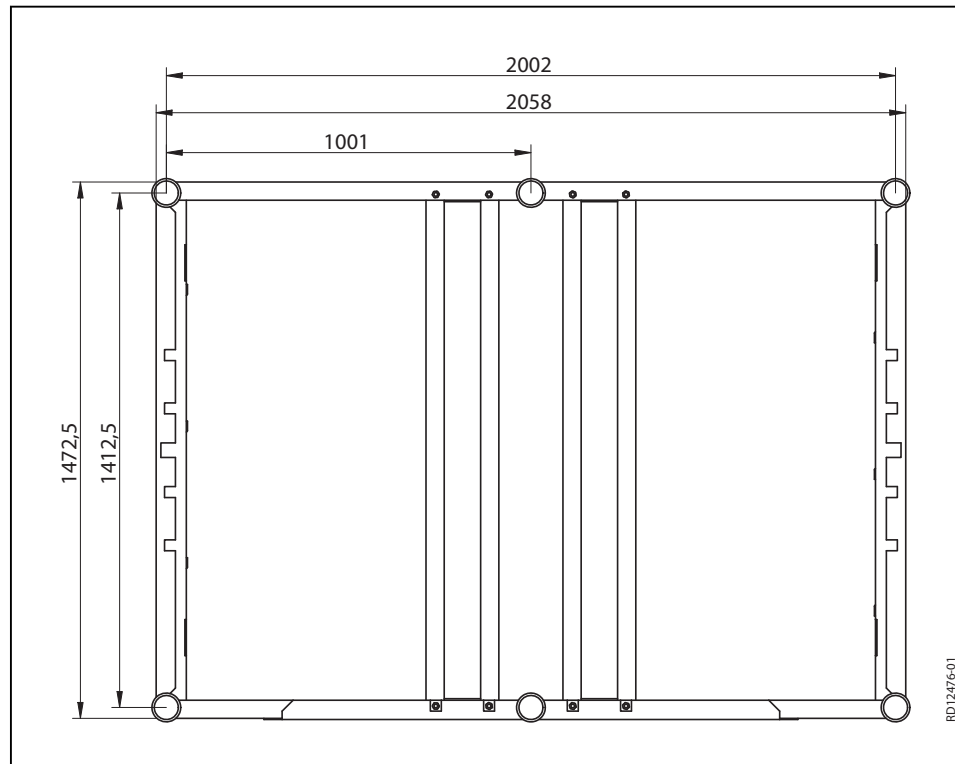
Step 3, VEX sections

- Lift the fan sections and rotor section off the base. We recommend you place these sections on pallets for further transport.



⚠ The rotor section must be handled with care. It should never be left to stand unsupported, as it may tip over.

Step 4, Diagram showing levelling screw positions



It is important that the base is level before the VEX unit is placed on it. Adjust the levelling screws, so that the base is horizontal (+/- 20 mm per metre)

Assembly instructions

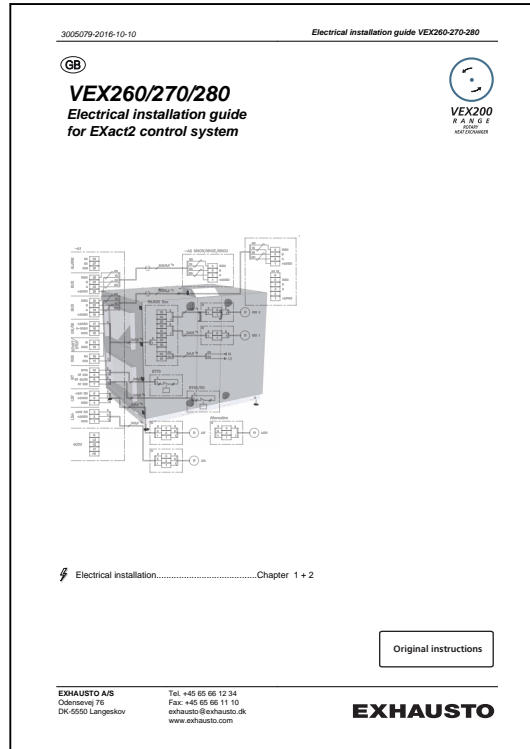
- Set the ventilator section up first
- When all three sections are on the base, tighten both sides in to the VEX
- Close the 4 fittings on the top



4. Electrical installation

4.1 Electrical installation

See the attached instructions “VEX2260/270/280 Electrical installation guide for EX-act2 control system”:





5. Maintenance

5.1 Operating readings via the HMI panel

HMI panel Refer to the “EXact2 Control System Basic Instructions for the VEX200 series” for instructions on accessing Menu 2 Operating readings via the technician menu (access code 1111) to check the unit’s operating status.

5.2 Maintenance chart

Recommended intervals The following chart details the recommended maintenance intervals, under normal operating conditions. EXHAUSTO recommends maintenance is adjusted to suit the actual operating requirements.

Component	Procedure	Once a year	Twice a year
Filters*	<p>Change when the display shows the filter alarm. Recommended that both filters are replaced at the same time.</p> <p>NB: The control system will give an ‘early warning’ when a filter is becoming soiled, so that there is time to obtain a new filter before the filter has to be changed.</p> <p>The filter should be changed at least</p>		X
Filter monitor	Check that all the seals in the filter monitor are tight	X	
Seals and sealing strips	Check that all the seals are tight	X	
Fans and heating coil (accessories)	Check Removal of fan unit. See section "Internal transport with reduced weight" Cleaning. See next section	X	
Rotary heat exchanger	Check Cleaning, as required, see next section	X	
Safety functions check	Fire thermostats Temperature sensors on heating pipe (accessories)	X	
Closing damper	Function inspection	X	
Motor valve and circulation pump (accessories)	Function inspection	X	

*Filters



Only use original filters

- The provided filter data and pressure loss graphs (section "Technical data") are based on the use of original filters
- EUROVENT certification is only valid if original filters are used
- Use of non-original filters may cause leakage in the VEX and impair filter function
- EXHAUSTO recommends that you register the filter replacement date to ensure filters are replaced at the correct intervals

5.3 Service

5.3.1 Filter change

Use original filters



Only use original filters. See section "Maintenance chart".



Disconnect power at the isolation switch before opening the door.

Pull the filters out. Remember to check the flow direction - see the arrows on the filter.

Discarded filters must be stored immediately in sealed plastic bags and disposed of responsibly.

Filter change in menu 8.1

After filter change (timer operation only): Go to menu 8.1 in the EXact control system and select "Yes" next to filter change to reset the operating days counter.


5.3.2 Servicing and cleaning

Cleaning motor/fan



See section "Internal transport with reduced weight" for details on how to remove the fan units.

Step	Action
1	Switch off the power supply to the unit at the isolation switch before opening the doors
2	Clean the fan impellers with a vacuum cleaner and wipe down with a damp cloth if necessary
3	Clean the impeller blades carefully, so as not to disturb the balance
4	Once re-fitted, check the unit operates without vibrating
Inspection of measuring points hoses	
5	Remove the hoses at the connection box
6	Blow air through the hoses to remove any impurities

Cleaning cold water coil/heating coil

Step	Action
1	Switch off the power supply to the unit at the isolation switch
2	Vacuum clean the cold water coil/heating coil
3	Cold water coil: clean the condensation tray
4	Check the fins on the exchanger are not deformed.  The fins are sharp.

Cleaning rotary exchanger

Step	Action
1	Switch off the power supply to the unit at the isolation switch before opening the doors
2	Vacuum clean the exchanger with caution, ideally using a soft brush vacuum nozzle.  Avoid touching the fins in the exchanger with sharp or hard objects – the fins are very soft and can easily be deformed, which will diminish the performance of the VEX.
3	Check the fins on the exchanger are not deformed.  The fins are sharp.



6. Technical data

6.1 Weight, corrosion class, temperature ranges, etc.

Weight

	VEX270
The total weight of the unit	750 kg
Unit without doors, fan section and base (for internal transport)	
Fan section	2 x 171 kg
Rotor section	187 kg
Doors, fan section	2 x 23 kg
Door, rotor section	11 kg
Base	67 kg
Fan unit	2 x 40 kg

Corrosion class

Corrosion class	Corrosion class C4 in accordance with EN ISO 12944-2
-----------------	--

Temperature range

Outdoor air temperature	-40°C to +35°C
Ambient temperature	-30°C to +50°C

At temperatures below -25°C (with outdoor installation), use of a thermostatically controlled heater in automated control box is recommended.

HMI-panel

Ingress protection	IP20
Ambient temperature	0°C - +50°C

At temperatures below 0°C the display may react more slowly than usual.

Fire thermostats

Cut-out temperature, BT70	70°C
Cut-out temperature, BT50	50°C
Cut-out temperature, BT40	40°C
Max. ambient temperature, sensor	250°C
Ambient temperature, thermostat housing	0°C - +80°C
Sensor length	125 mm
Ingress protection	IP40

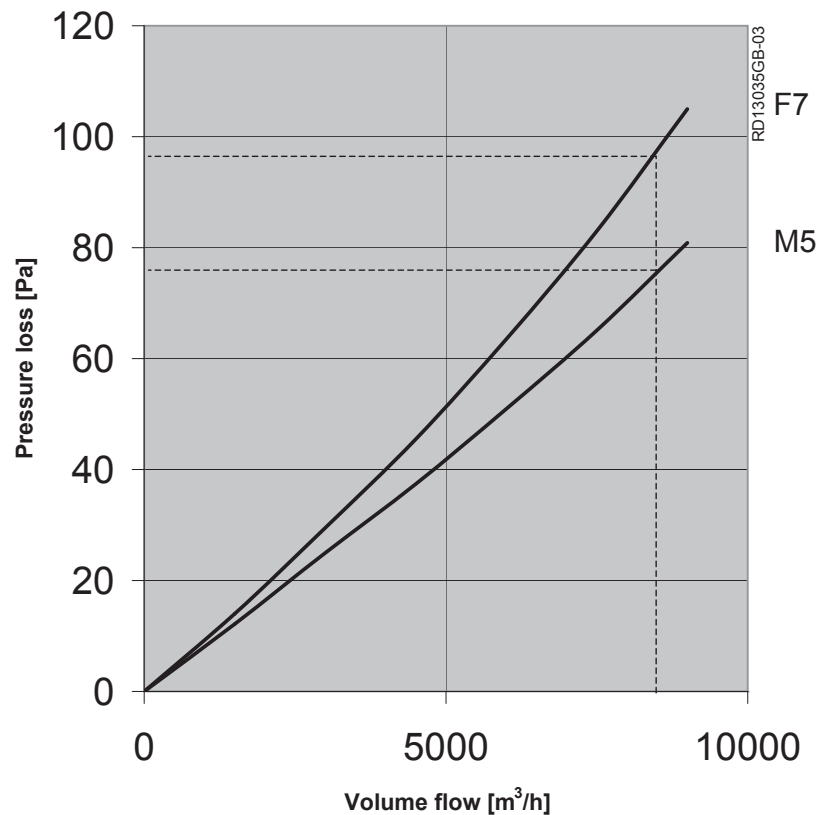
Motor damper

Motor damper type	LS500x1000-24	LSR500x1000-24
Designation	LSA/LSF	LSFR
Motor type	NM24-F	AF-24
Rotation time	75–150 s	open: 150 s close: 16 s
Ingress protection	IP42	IP42
Ambient temperature	-20°C to +50°C	-30°C to +50°C
Damper depth (LS rail system)	115 mm	115 mm
Damper depth (METU rail system)	150 mm	150 mm

There may be a maximum of two LSR dampers or four LS dampers.

6.2 Compact filters

Pressure loss curves for M5 and F7 filters



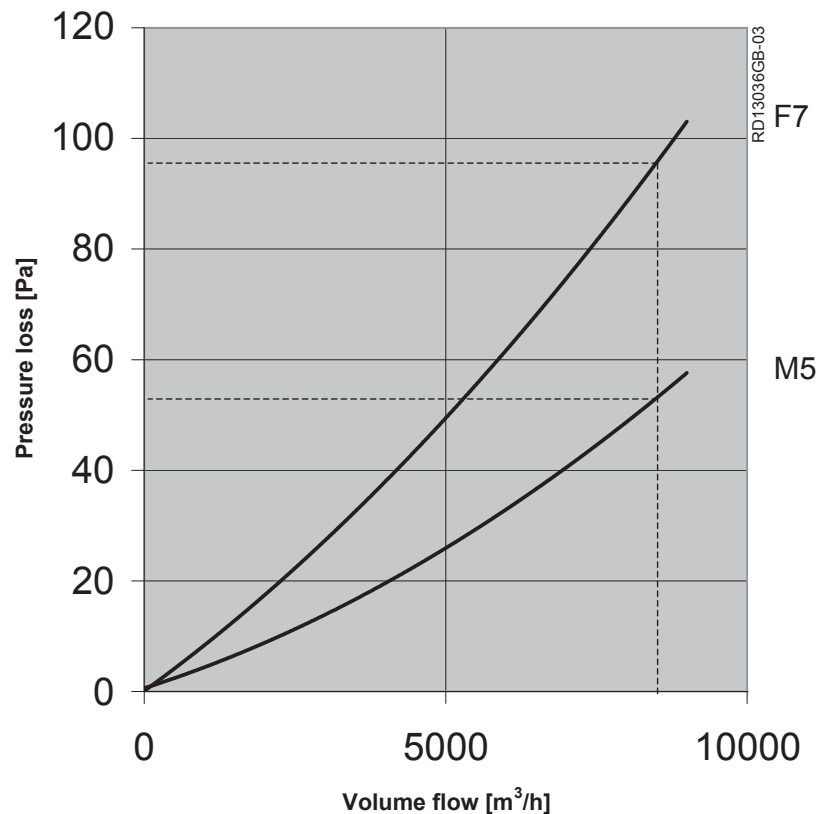
Data	VEX270	
	FP270M5	FP270F7
Panel filter h x w	qty. 2 800 x 704 mm	
Panel filter thickness	96 mm	
Filter area	2 x 6.5 m ²	2 x 20.3 m ²
Filter class	M5	F7
Retention efficiency in accordance with EN779	96 %	> 99 %
Efficiency	45 %	85 %
Volume flow rate	8,500 m ³ /h	
Initial pressure drop	76 Pa	97 Pa
Recommended final pressure drop at normal volume flow rate	176 Pa	197 Pa
Temperature resistant to	70°C	



EUROVENT certification is only valid if original filters are used. For more details about original filters, see section "Maintenance".

6.3 Bag filters

Pressure loss curves for M5 and F7 filters

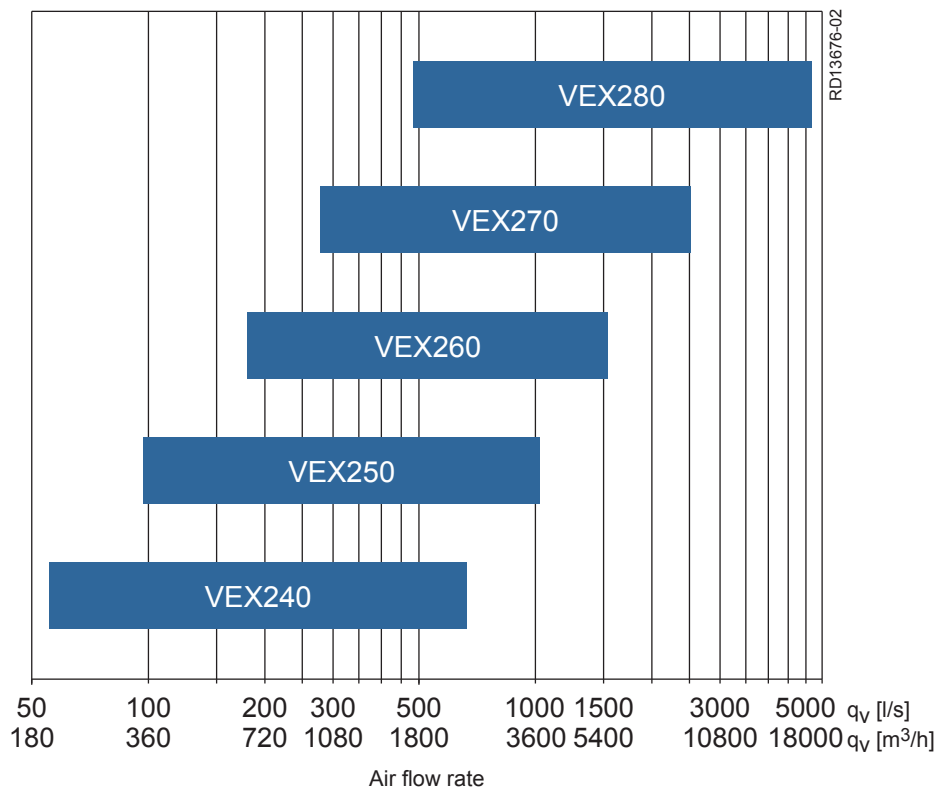


Filter data	VEX270	
	FB270M5	FB270F7
Filter area	3 x 4.3 m ²	3 x 6.6 m ²
Face area h x b	qty. 3 743 x 470 mm	
Total number bags x depth	qty. 3 5 x 535 mm	qty. 3 8 x 535 mm
Filter class	M5	F7
Retention efficiency in accordance with EN779	96 %	> 99 %
Efficiency	45 %	85 %
Volume flow rate	8,500 m ³ /h	
Initial pressure drop	53 Pa	95 Pa
Recommended final pressure drop at normal volume flow rate	153 Pa	195 Pa
Temperature resistant to	70°C	



EUROVENT certification is only valid if original filters are used. For more details about original filters, see section "Maintenance".

6.4 Capacity diagram



Recommendation



You are recommended to make a more precise calculation of the unit's capacity with the EXselect calculation program, available on the EXHAUSTO website.

6.5 Ordering spare parts

Find production number

When ordering spares, please state the relevant production part number. This will ensure that the correct parts are delivered. The production number is given on the front of the VEX guidelines and on the VEX rating plate.

Contact:

Contact your local EXHAUSTO office service department to order a spare part. Contact information is given on the back cover of these instructions. See also the "Layout" section for an overview of the position and designation of parts in the VEX.



Scan code and go to addresses at
www.exhausto.com