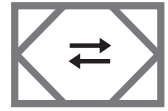


GB

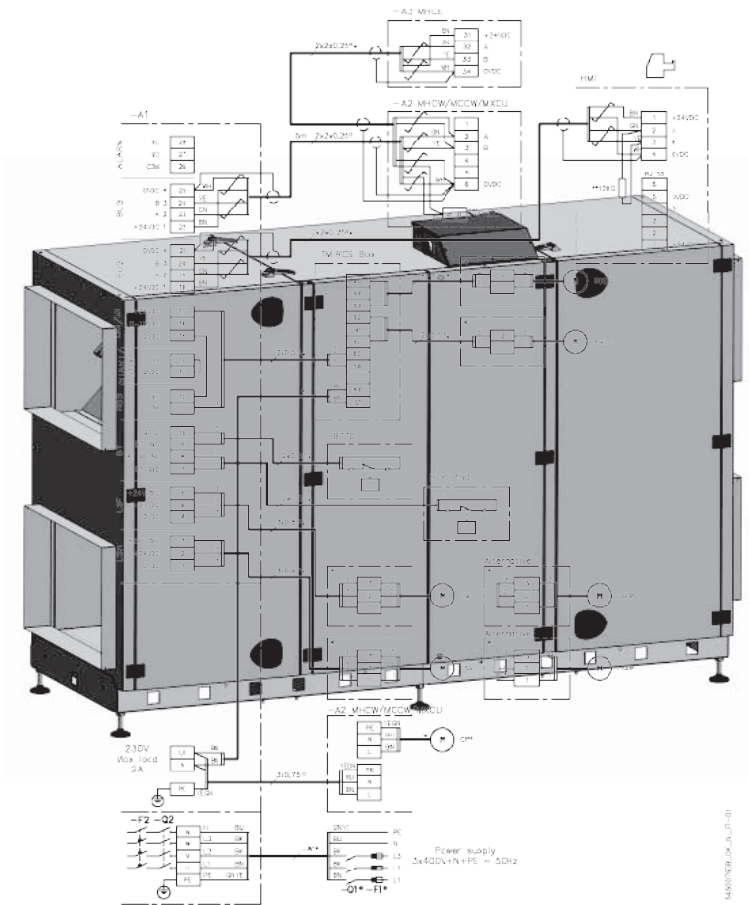
VEX350HX-360HX-370HX

Guide to Electrical Installation

- For third party control system



VEX300
R A N G E
C O U N T E R F L O W
H E A T E X C H A N G E R



⚡ Electrical installation.....Chapter 1 + 2

Original instructions



1. Connection diagram for supply voltage

1.1. Connection diagram for VEX with motor control (MC).....4
1.1.1. Alarm relay function.....7



2. Installation of the VEX

2.1. Scope of installation.....8

Symbols, terms and warnings

Prohibition symbol



Failure to observe instructions marked with a prohibition symbol may result in serious or fatal injury.

Danger symbol



Failure to observe instructions marked with a danger symbol may result in personal injury and/or damage to the unit.

Warnings



The work must be performed by an authorised electrician, in accordance with locally applicable regulations and legislation.

Isolation switch



In accordance with The Machinery Directive*, an isolation switch must be permanently installed in the unit.

The isolation switch must:

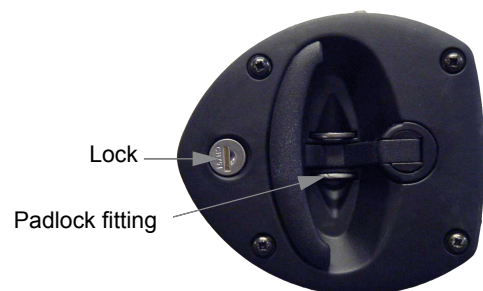
- be lockable or positioned in plain sight in the immediate vicinity of the unit
- disconnect all poles from the supply voltage
- be constructed in accordance with EN 60204-1

The isolation switch is **not** supplied by EXHAUSTO.

Lock the air handling unit during operation

The VEX unit must always be locked during operation:

- Use the cylinder lock in the handle. **Remember** to remove the key from the lock.
- Or use a padlock. Use the handle's built-in padlock fixture



Rating plate

The VEX unit rating plate shows:

- VEX model (1)
- Production order no. (2)

EXHAUSTO A/S Sønderhøjvej 10, DK-5250 Lyngby - DK (DK) Tel: +45 4460 1111 Fax: +45 4460 1122		CE	
Type	V350HREC	1	10A
	No./Year 1234567/2011	2	
Supply	Voltage: 3x230V+PE/3x400V+N+PE ~50Hz	Current: 15A/15A	

NB

Always have the production number ready when contacting EXHAUSTO A/S.

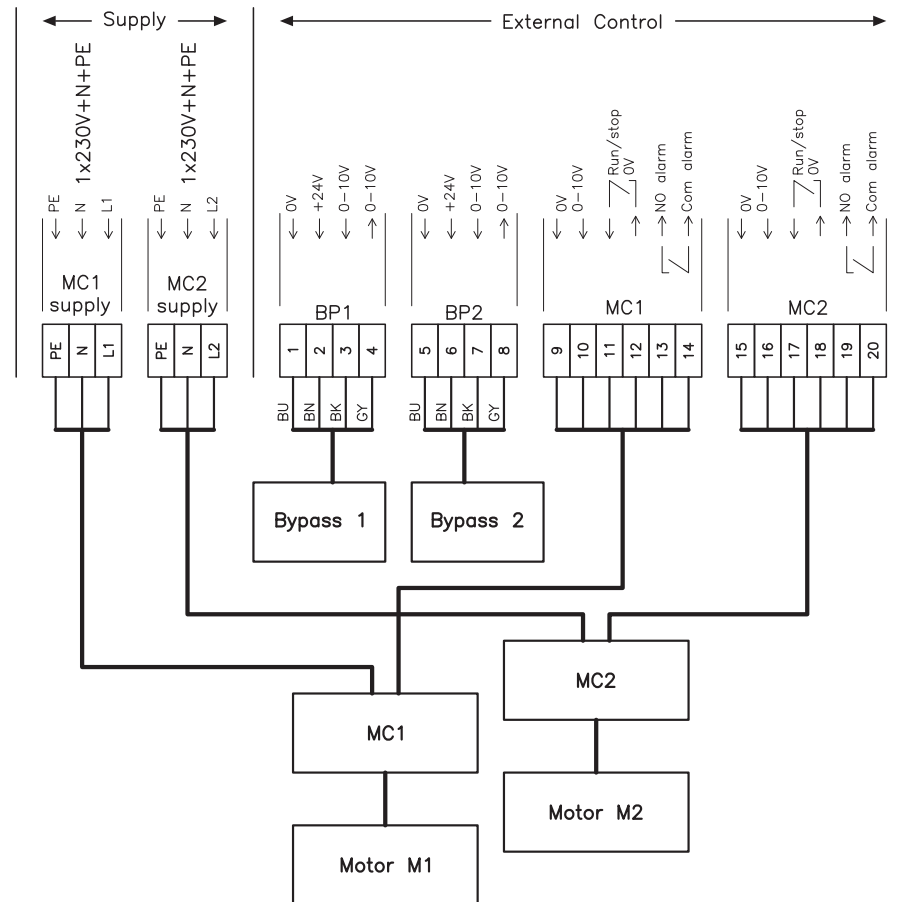


1. Connection diagram for supply voltage

1.1 Connection diagram for VEX with motor control (MC)

VEX350/360 - Diagram

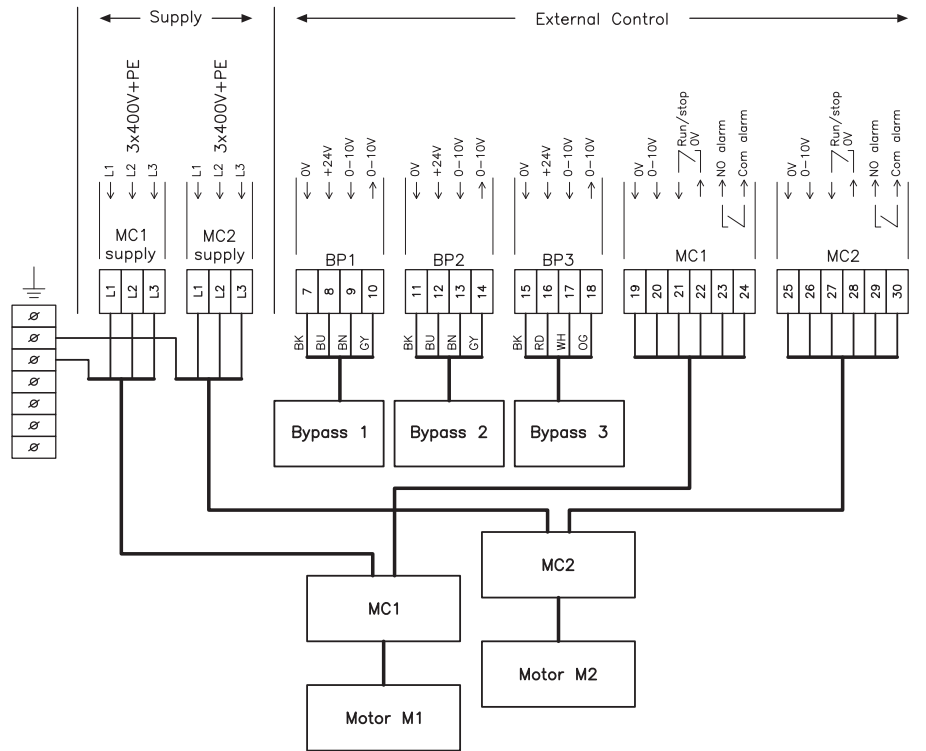
The diagram below illustrates connection of the supply voltage to the motor control and bypass damper.



RI01304838_DK_DE_SE_N_F-01

VEX370 - Diagram 3 x 400V

The diagram below illustrates connection of the supply voltage to the motor control and bypass damper.



RD13522-01

Key to diagram

Designation	Description
MC1 Supply	Power supply for motor control MC1 (exhaust air/extract air)
MC2 Supply	Power supply for motor control MC2 (supply air/outdoor air)
Bypass 1	Control signal for bypass damper 1 (exhaust air/extract air)
Bypass 2	Control signal for bypass damper 2 (supply air/outdoor air)
Bypass 3 (VEX370 only)	Control signal for bypass damper 3 (supply air/extract air)
MC1	Control signal for motor control M1 (exhaust air/extract air)
MC2	Control signal for motor control M2 (supply air/outdoor air)

NB

Other parts, shown on the front page of the VEX instructions, are supplied by EXHAUSTO

Electrical data

The table below shows max. phase current and max. neutral current

Type	Supply voltage	Max. phase current (total)	Max. neutral current (dimensional current)	MC1 phase current	MC2 phase current
VEX350	3 x 400 V + N+ PE	8.7 A	12.5 A	8.7 A	8.7 A
VEX360	3 x 400 V + N+ PE	15.5 A	21 A	15.5 A	15.5 A
VEX370	3 x 400 V + N+ PE	15.5 A	-	7.75 A	7.75 A

Note - VEX350 and VEX360 only

Power consumption is taken from two phases and is not sinusoidal. Phase L3 is not used.

1.1.1 Alarm relay function

Description		Drawing
Connection	The diagram shows which two terminals for the MC are connected to the terminal block in the connection box	<p>Alarm relay MC</p> <p>Connection box MC: terminal 9-10 and 15-16</p> <p style="text-align: right; font-size: small;">54501655GB-01</p>
	The alarm relay position in the case of power failure or similar	<p>Power off</p>
Function	The alarm relay position in case of alarm	<p>Alarm</p>
	The alarm relay position during operation	<p>Power on, No alarm</p>



2. Installation of the VEX

2.1 Scope of installation

VEX unit

The electrical installation for the VEX unit comprises the following tasks:

Connection box

Wiring configurations for the terminal board in the connection box:

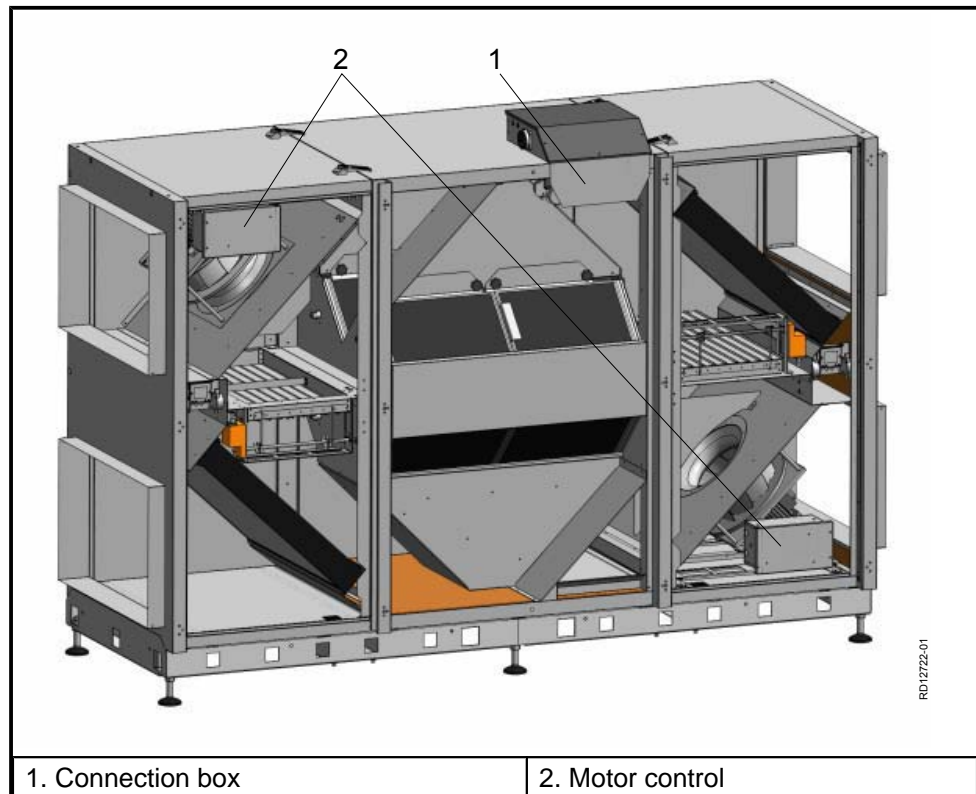
- Supply voltage to motors and motor control (MC)
- Control signals for motor control (MC) and alarm relay
- Control signal to bypass damper

NB

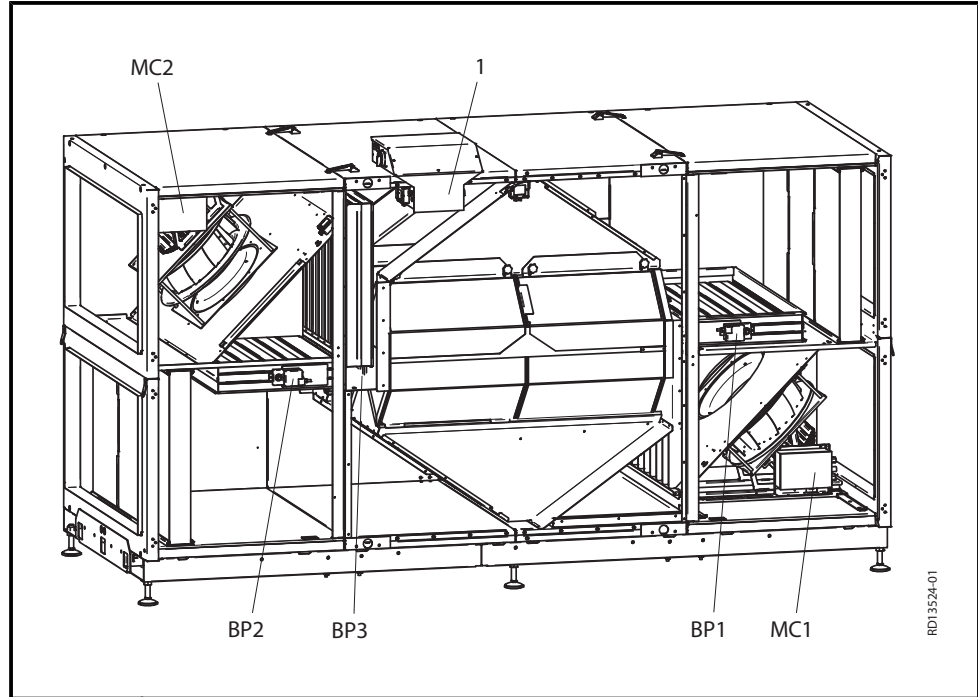
- The motor control is pre-programmed by EXHAUSTO and has overload protection
- The motor control must have short-circuit protection

For other technical data, see the "Technical data" section in the main instructions of the VEX.

Placing of electrical components - VEX350/360



Positioning of electrical components - example VEX370 Left



RD13524-01

Part	Component
1	Connection box <ul style="list-style-type: none"> ● Main fuse ● 24 V power supply ● Control fuses ● Isolation switch
MC1	<ul style="list-style-type: none"> ● Motor control, motor 1 (extract air)
MC2	<ul style="list-style-type: none"> ● Motor control, motor 2 (supply air)
BP1	<ul style="list-style-type: none"> ● Bypass damper extract air/exhaust air
BP2	<ul style="list-style-type: none"> ● Bypass damper outdoor air/supply air
BP3	<ul style="list-style-type: none"> ● Bypass shut-off dampers supply air



Scan code and go to addresses at
www.exhausto.com