

# DTV -TGK

GB

DK

DE

NO

SE

FI



**Product information.....Chapter 1**



**Fitting .....Chapter 2**



**Wiring.....Chapter 3**



**Service and cleaning .....Chapter 4**

**1. GB - Product information**

1.1 Construction and design.....	5
----------------------------------	---

**2. GB - Fitting**

2.1 Transport safety fitting DTV315, DTV400 and DTV450.....	6
2.2 TGK roof duct.....	6
2.3 Installing a fan onto a TGK roof duct.....	8
2.4 Installing a fan onto a roof base using an FPT base plate.....	8

**3. GB - Wiring**

3.1 Fan without EC control.....	9
3.1.1 DTV160-4-1, DTV200-4-1 .....	9
3.2 Fan with EC control .....	10
3.2.1 DTV250-4-1EC, DTV315-4-1EC .....	10
3.2.2 DTV400-4-1EC, DTV450-4-1EC .....	12
3.2.3 Fault finding 1-phase EC controls.....	14

**4. GB - Service and cleaning**

4.1 Cleaning.....	16
4.2 Environmental declaration .....	17

**1. DK - Produktinformation**

1.1 Konstruktion.....	18
-----------------------	----

**2. DK - Montage**

2.1 Transportsikring DTV315, DTV400 og DTV450 .....	19
2.2 Taggennemføring TGK .....	19
2.3 Montage på taggennemføring TGK .....	21
2.4 Montage på tagsokkel via fodplade FPT.....	21

**3. DK - El-tilslutning**

3.1 Ventilatorer uden EC-styring .....	22
3.2.1 DTV160-4-1, DTV200-4-1 .....	22
3.2 Ventilatorer med EC-styring .....	23
3.2.2 DTV250-4-1EC, DTV315-4-1EC .....	23
3.2.3 DTV400-4-1EC, DTV450-4-1EC .....	25
3.2.1 Fejlfinding for 1-faset EC-styringer.....	27

**4. DK - Service og rengøring**

4.1 Rengøring .....	29
4.2 Miljødeklaration.....	30

**1. DE - Produktinformation**

1.1 Konstruktion.....	31
-----------------------	----

**2. DE - Montage**

2.1 Transportsicherung DTV315, DTV400 und DTV450 .....	32
2.2 Dachdurchführung TGK .....	32
2.3 Montage auf der Dachdurchführung TGK .....	34
2.4 Montage auf Dachsockel über Fußplatte FPT .....	34

**3. DE - Elektrischer Anschluss**

3.1 Ventilatoren ohne EC-Automatik .....	35
3.2.1 DTV160-4-1, DTV200-4-1 .....	35
3.2 Ventilatoren mit EC-Automatik .....	36
3.2.2 DTV250-4-1EC, DTV315-4-1EC .....	36
3.2.3 DTV400-4-1EC, DTV450-4-1EC .....	38
3.2.1 Fehlersuche bei 1-phasigen EC-Automatik .....	40

**4. DE - Wartung und Reinigung**

4.1 Reinigung .....	42
4.2 Umweltdokumentation .....	43

**1. NO - Produktinformasjon**

1.1 Konstruksjon.....	44
-----------------------	----

**2. NO - Montering**

2.1 Transportsikring DTV315, DTV400 og DTV450 .....	45
2.2 Takgjennomføring TGK .....	45
2.3 Montering på takgjennomføring TGK .....	47
2.4 Montering på taksokkel via fotplate FPT .....	47

**3. NO - Elektrisk tilkobling**

3.1 Vifter uten EC-styring .....	48
3.1.1 DTV160-4-1, DTV200-4-1 .....	48
3.2 Vifter med EC-styring .....	49
3.2.1 DTV250-4-1EC, DTV315-4-1EC .....	49
3.2.2 DTV400-4-1EC, DTV450-4-1EC .....	51
3.2.1 Feilsøking for 1-fasede EC-styringer .....	53

**4. NO - Service og rengjøring**

4.1 Rengjøring .....	55
4.2 Miljødeklarasjon .....	56

**1. SE - Produktinformation**

1.1 Konstruktion.....	57
-----------------------	----

**2. SE - Montering**

2.1 Transportsäkring DTV315, DTV400 och DTV450 .....	58
2.2 Takgenomföring TGK .....	58
2.3 Montering på takgenomföring TGK.....	60
2.4 Montering på taksockel via fotstöd FPT .....	60

**3. SE - Elanslutning**

3.1 Fläktar utan EC-styrning .....	61
3.1.1 DTV160-4-1, DTV200-4-1 .....	61
3.2 Fläktar med EC-styrning .....	62
3.2.1 DTV250-4-1EC, DTV315-4-1EC .....	62
3.2.2 DTV400-4-1EC, DTV450-4-1EC .....	64
3.2.1 Felsökning för 1-fas EC-styrningar.....	66

**4. SE - Service och rengöring**

3.1 Rengöring .....	68
3.2 Miljödeklaration.....	69

**1. FI – Tuotetietoja**

1.1 Rakenne .....	70
-------------------	----

**2. Asennus**

2.1 Kuljetuskiinnike DTV315, DTV400 ja DTV450.....	71
2.2 Kattoläpivienti TGK.....	71
2.3 Asennus kattoläpivientiin TGK.....	73
2.4 Asennus kattosokkeliin jalkalevyn FPT kautta .....	73

**3. Sähköliitännät**

3.1 Puhaltimet ilman EC-ohjausta .....	74
3.1.1 DTV160-4-1, DTV200-4-1 .....	74
3.2 EC-ohjauksella varustetut puhaltimet.....	75
3.2.1 DTV250-4-1EC, DTV315-4-1EC .....	75
3.2.2 DTV400-4-1EC, DTV450-4-1EC .....	77
3.2.1 1-vaiheisten EC-ohjauksien vianetsintä .....	79

**4. FI – Huolto ja puhdistus**

4.1 Puhdistus.....	81
3.2 Ympäristöilmoitus.....	82



## 1. GB - Product information

EXHAUSTO DTV roof fans are used in air supply and extraction systems.



The ventilator is not to be used to transport solid particles, nor in areas where there is a risk of explosive gases.



The ventilator must not be started with the Top section open.

### 1.1 Construction and design

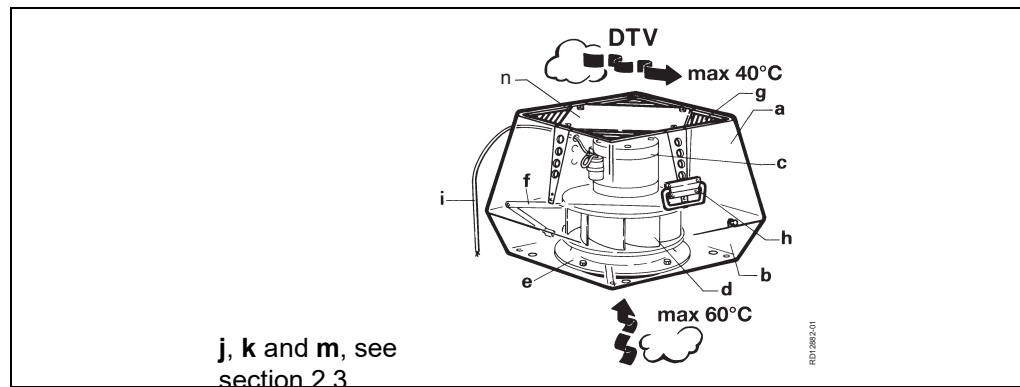
#### Description

EXHAUSTO DTV vertical discharge roof fans are available in the following single-phase motor models (EC types have built-in EC control):

- DTV160-4-1
- DTV200-4-1
- DTV250-4-1EC
- DTV315-4-1EC
- DTV400-4-1EC
- DTV450-4-1EC

The roof fan is made of corrosion-resistant aluminium. To protect fingers and avoid birds getting trapped in the fan box, it is fitted with a rustproof safety net.

#### Main components



j, k and m, see section 2.3

Pos.	Part
a	Top section
b	Bottom section
c	Motor
d	Centrifugal impeller
e	Centrifugal impeller inlet
f	Safety fittings
g	Net
h	Handle
i	Connecting cable
j	Rubber ring seal between the fan and duct/base plate
k	Vibration dampers ensure vibration-free operation
m	Safety screws (yellow)
n	Top section cover

#### Size and weight

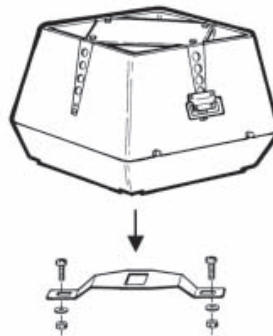
DTV	160	200	250	315	400	450
Weight, kg	11	17	28	37	52	60



## 2. GB - Fitting

### 2.1 Transport safety fitting DTV315, DTV400 and DTV450

#### Before installation



DTV315 - DTV450

RD11824/01

Remove the transport safety fitting by the centrifugal impeller (can be done without having to open the fan) and check that the impeller turns freely.

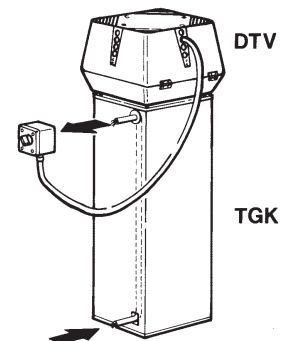
### 2.2 TGK roof duct

#### Construction

EXHAUSTO standard TGK roof ducts are made of galvanised plate casing, with 50 mm mineral wool for insulation/sound absorption and fibreglass and has an internal galvanised perforated plate.

The roof duct has an inner cable conduit, through which the isolation switch cabling and the cabling can be pulled all the way through.

The roof duct is delivered with anti-backdraught shutters AOR.



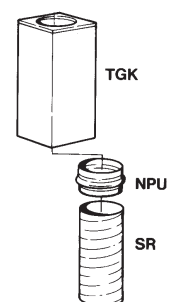
RD12857/01

#### Installing the isolation switch

Fit the isolation switch (not supplied by EXHAUSTO) on the TGK roof duct directly onto the seal. The fan's connecting cable is fed in from the bottom through the threaded cable entry.

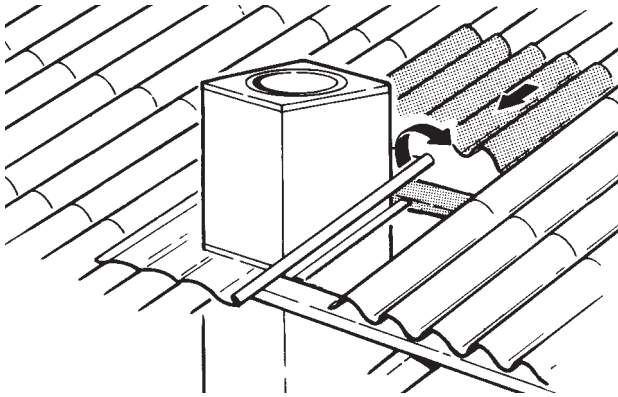

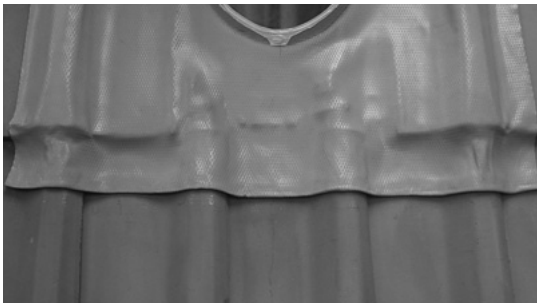
#### Duct system and extraction system

The roof duct can be connected to any EUROVENT-standard duct system.



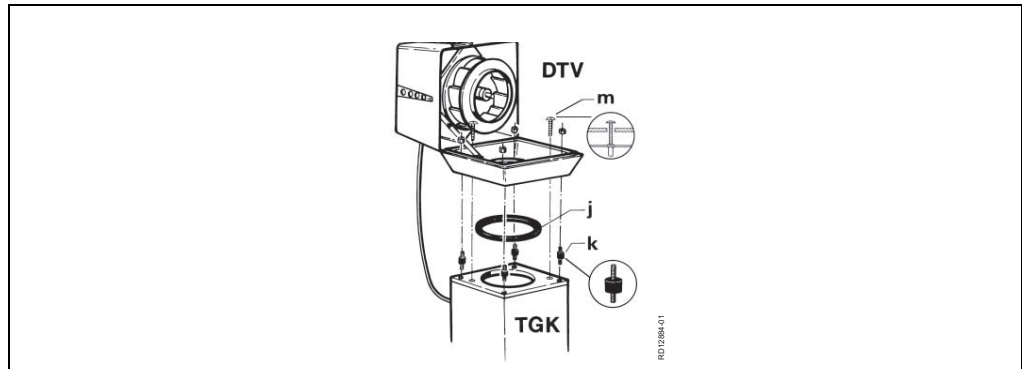
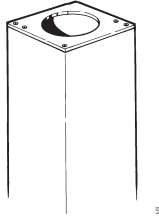
RD12858/02

**Installing TGK roof ducts**

Step	Action	
		
1	Make a hole in the roof, approx. 30 mm larger than the roof duct.	
2	Loosen the overlying tile/roofing and push it up to make room for the cover.	
		
	<b>PERFORM or lead cover</b>	<b>Zinc cover</b>
NB: applies only to PERFORM	It is a good idea to bend the edge of the flashing (at the bottom and if appropriate, the visible part of the sides) to ensure greater strength/better form stability and a nicer finish. See the pictures above.	
3	Fit the roof duct carefully into the roof so the cover is flush with the top of the tiles.	Fit the roof duct carefully into the roof so the cover is flush with the roofing material.
4	Fit the support bars to the roof duct, so that the roof duct will be lifted approx. 5 mm when the support bars have been attached to the roofing beams. This ensures that all the weight is taken by the support bars.	Fit the support bars to the roof duct, so that the roof duct will be lifted approx. 1 mm when the support bars have been attached to the roofing beams. This ensures that all the weight is taken by the support bars.
5	Roll out the cover material and knock it gently into shape with a rubber hammer or sandbag.	
6	If water travels from copper or bitumen onto PERFORM, FlashSeal must be applied to the PERFORM surface. If you do not follow the instructions, the warranty becomes void!	
7	Replace the overlying tile/roofing over the cover.	

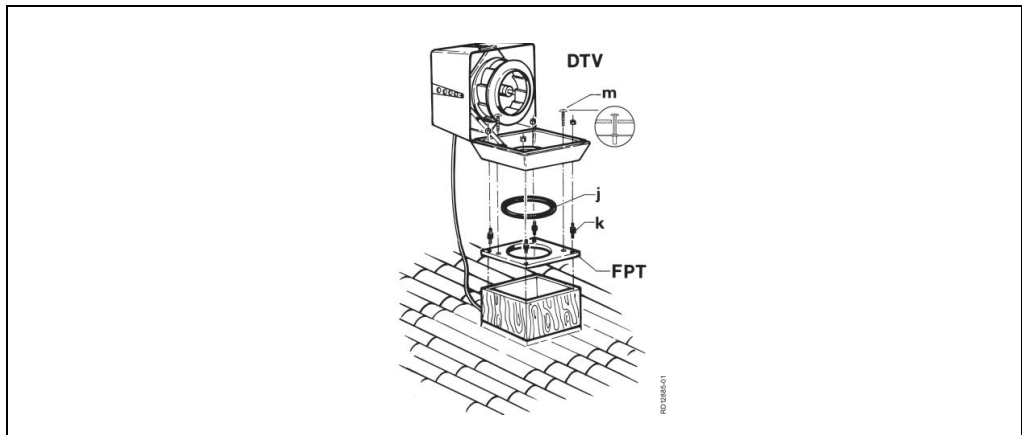
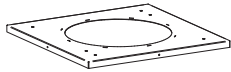
### 2.3 Installing a fan onto a TGK roof duct

The fan can be mounted directly onto the EXHAUSTO standard TGK roof duct



Step	Action
1	Tighten securely the provided four vibration dampers (k) in the threaded holes in the roof duct.
2	Place the rubber ring (j) between the duct and the centrifugal impeller inlet.
3	Secure the roof fan onto the vibration dampers with the nuts.
4	Tighten the two yellow safety screws (m) in the roof duct via the free holes in the bottom section. The screws ensure the DTV remains attached to the roof duct in all situations.

### 2.4 Installing a fan onto a roof base using an FPT base plate



Step	Action
1	Fasten the base plate onto the roof base.
2	Seal the base plate and roof base joint using a joint sealing compound.
3	Tighten securely the four vibration dampers provided (k) in the threaded holes in the base plate.
4	Place the rubber ring (j) between the duct and the centrifugal impeller inlet.
5	Secure the roof fan onto the vibration dampers with the nuts.
6	Tighten the two yellow safety screws (m) in the base plate via the free holes in the bottom section. The screws ensure the DTV remains attached to the base plate in all situations.

**NB**

The air being extracted can contain water vapour and cause condensation, so the roof base must be insulated.





### 3. GB - Wiring

#### General



**The wiring must only be done by a qualified electrician.**

The fan and motor specifications are listed on the type-plates.

Max. fuse rating = 13 Amp.

If the fuse is a	...it must have the characteristic
melting fuse	gG or gM.
control fuse	B or C, and comply with IEC 90947-2. -

Max. short circuit current is 10 kA

At start-up and during the initial adjustment of the fan, it is important to control the direction of rotation of the motor and to check the motor current does not exceed the manufacturer's recommended operating current for the motor (to avoid damaging the motor).

#### Isolation switch



**EXHAUSTO A/S would like to draw attention to the fact that, in accordance with the EU's Machine Directive (appendix 1) all fan systems shall include a isolation switch.**

The isolation switch must ...

- be lockable or positioned in plain sight in the immediate vicinity of the fan
- be able to disconnect all poles from the supply voltage  
— contact distance of at least 3 mm in each pole
- Set up as isolation switch in accordance with standard IEC 60947-1 or IEC 60947-3.

**The isolation switch is not supplied by EXHAUSTO.**


#### Lightning conductor

Any lightning conductor connected to the fan must be in accordance with applicable regulations and legislation.

## 3.1 Fan without EC control

### 3.1.1 DTV160-4-1, DTV200-4-1

#### Wiring

Wiring — cable from the motor	
Single-phase motor with built-in thermal cut-out DTV160-4-1, DTV200-4-1	Brown = L Blue = N Yellow/Green = 

All single-phase fans are voltage regulated.  
The motor is fitted with a thermal cut-out. The thermal-cut out is factory installed, wired in series to the motor's power circuit.

### 3.2 Fan with EC control

**General** Fans marked EC have a built-in EC control.

**Cables** The wiring for control signal inputs must be completely insulated from the supply wirings.

**ESD**



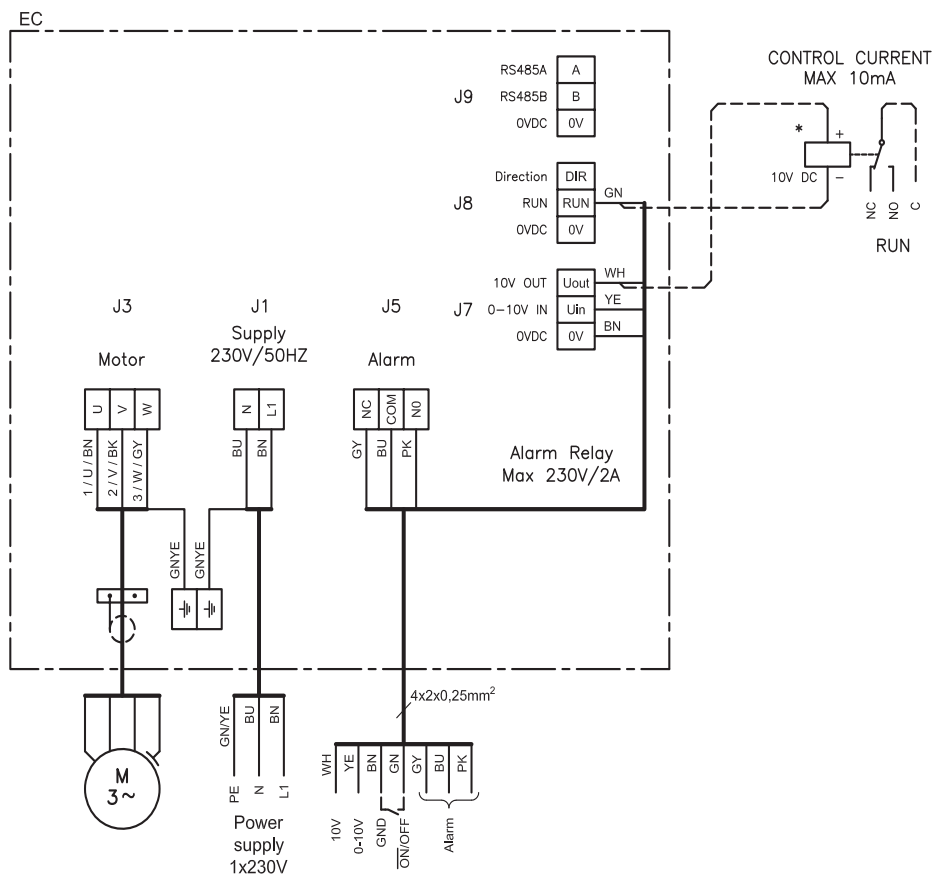
The electrician must be ESD protected when

- detaching the cover on the EC control
- working with the EC control

#### 3.2.1 DTV250-4-1EC, DTV315-4-1EC

**Cabletype** Cables for control signals must be with twisted pair conductors. As a minimum, the cable type must be CAT5e Ethernet cable.

**Diagram**



RD14164-01

Fig. 1

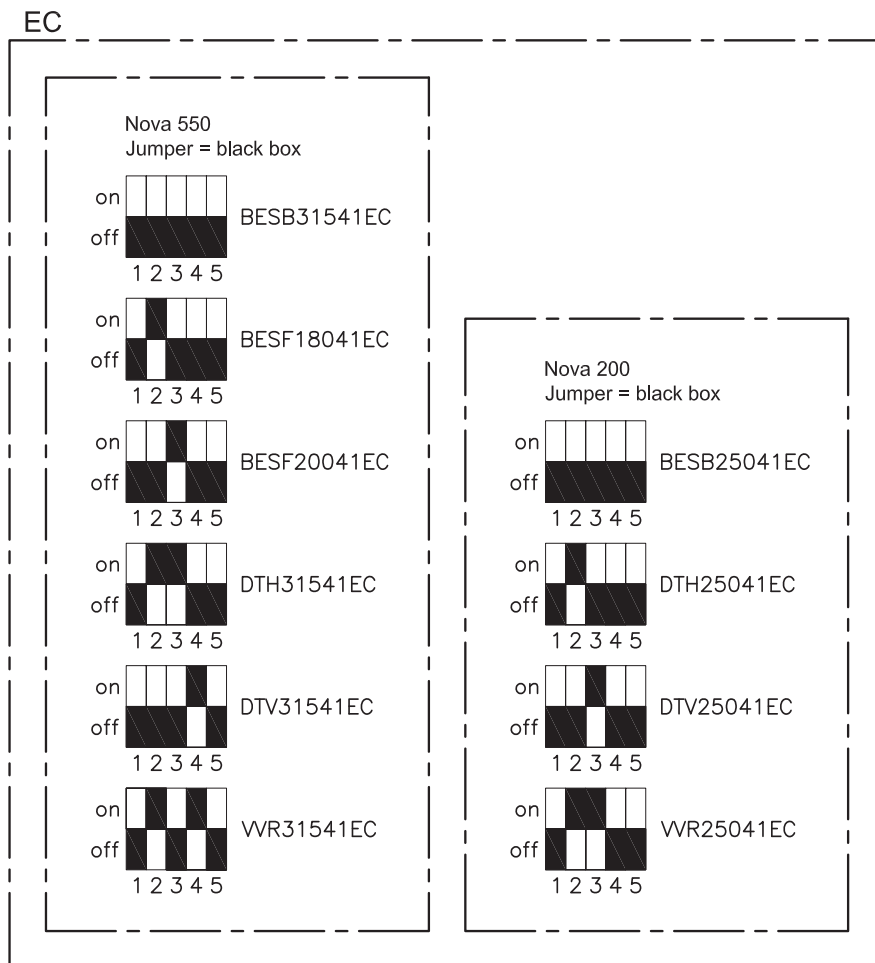
\* Not supplied by EXHAUSTO.

**Key to diagram**

Terminal	Clamp	Signal description
J9	A	RS485 + (A)
	B	RS485 - (B)
	0V	0 V DC (chassis)

Terminal	Clamp	Signal description
J8	DIR	Direction af rotation
	RUN	Start/Stop
	0V	0 V DC (chassis)
J7	U Out	10V DC
	U In	0-10V DC
	0V	0 V DC (chassis)
J5	NC	Alarm NC
	COM	Alarm C
	NO	Alarm NO

**Positioning of dip swiches**

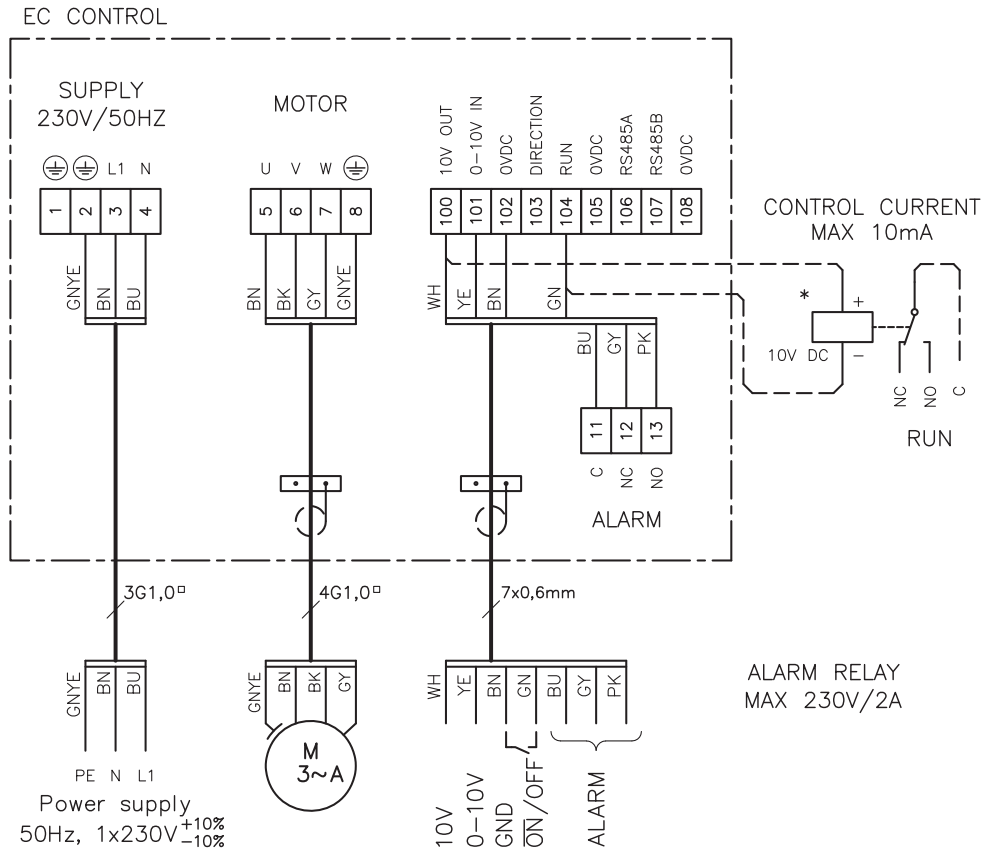


RD14145-01

### 3.2.2 DTV400-4-1EC, DTV450-4-1EC

**Cabletype** Cables for control signals must be shielded.

**Diagram**



\*not supplied by EXHAUSTO.

RD13306-06

**Key to diagram**

Terminal	Signal description
100	10 V DC
101	0-10 VDC
102	0 V DC (chassis)
103	Direction of rotation
104	Start/stop
105	0 V DC (chassis)
106	RS485 + (A)
107	RS485 - (B)
108	0 V DC (chassis)
11	Alarm C
12	Alarm NO
13	Alarm NC

**Leakage current** During operation the EC control emits a leakage current of less than 3.5 mA. The leakage current must be earthed, as otherwise there would be a risk of the motor becoming a live conductor.

**Earth leak circuit breakers** **If current earth leak circuit breakers are fitted in the installation, they must be of a type that meets the following requirements:**

- PFI type A breaker that breaks the circuit when a vagrant current with DC content (pulsating DC) in accordance with EN 61008 is registered.
- The circuit breakers must be marked with the following symbol:



**Requirements** **Disconnection time of max 0.3 seconds**

**Dimensioning of the neutral conductor** Multiple single-phase DTV with EC installations in a shared network with a common neutral require special dimensioning of the neutral, as the current is not a pure sine wave.

**Example** For example if three EC motors are installed, sharing three phases, the neutral current is the sum of the three motors' current.

**Existing installations** If you are fitting motors to an existing installation, check the neutral conductor can cope with the resultant load.

### 3.2.3 Fault finding 1-phase EC controls.



The work must be carried out by an authorised electrician.

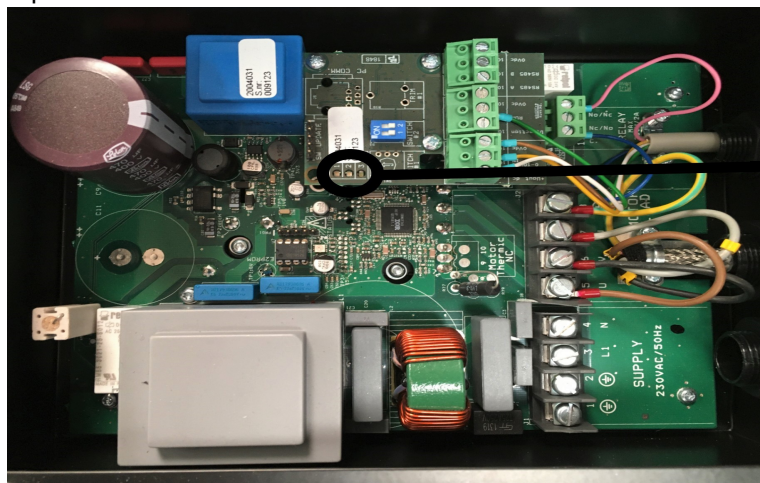
#### Opening the EC control

Step	Action
1	Remove the top cover (n) on the DTV
2	Loosen and remove the screws on each side of the EC-box
3	Lift the box up — now the box cover can be removed

1-phase NOVA EC-control



1-phase EC -control



#### Diodes

- Diode 1: Red
- Diode 2: Yellow
- Diode 3: Green

**Troubleshooting chart**

- Green diode lights up: no errors
- Red diode lights up: there is an error. Alarm relay has been tripped.
- Yellow diode: blinks for error type

Error code	Green	Red	Yellow	Error	Relay
None	+	-	-		
1			Reserved		
2	-	+	Blinks twice/pauses 4 seconds	Below voltage 170 v	+
3	-	+	Blinks three times/pauses 4 seconds	Above voltage 255 v	+
4	+	-	Blinks once/pauses 4 seconds	Overcurrent: Reduced rpm	-
5			Reserved		
6	+	-	Blinks six times/pauses 4 seconds	Overheating: Reduced rpm	-
7	-	+	Blinks 7 times/pauses 4 seconds	Overheating: Stop	+
8	-	+	Blinks 8 times/pauses 4 seconds	Hardware error	+
9	-	+	Blinks 9 times/pauses 4 seconds	MCE Fault	+
10	-	+	Blinks 10 times/pauses 4 seconds	Motor blocked	+
11	-	+	Blinks 11 times/pauses 4 seconds	Motor phase missing	+
12			Reserved		
13	-	+	Reserved		
14			Reserved		
15			Reserved		
16	-	+	Blinks 16 times/pauses 4 seconds	Communication error	+

**NB**

When the error has been remedied, the LED indicator (LED blink) on the EC control can be reset by temporarily cutting the power until the LED goes out.

EXHAUSTO provides a two-year manufacturer's warranty on the fan.

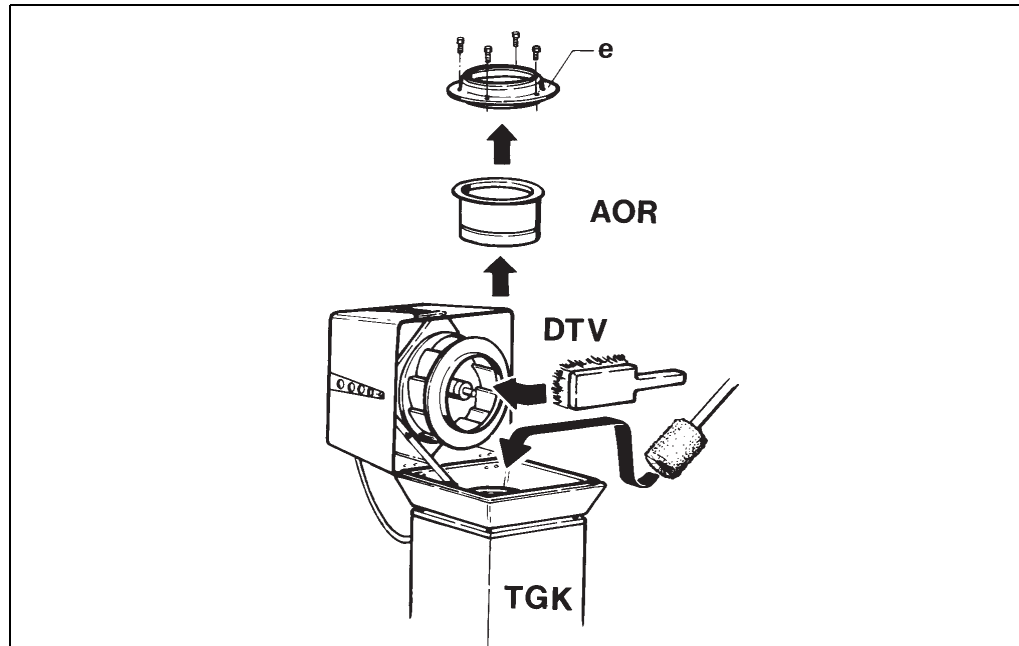


## 4. GB - Service and cleaning

EXHAUSTO DTV roof fan motors have special ball bearings that are sealed, lubricated and maintenance-free. Any replacement of these bearings should be carried out by technicians from EXHAUSTO SERVICE.

### 4.1 Cleaning

The fan and duct system should be cleaned as necessary, depending on dirt levels, in the following manner:



Step	Action
1	Shut down the fan using the isolation switch
2	Loosen the screws on the front of the fan and swing the top section up by the handle. The safety fitting will ensure the top section stays up as you clean.
3	Brush the centrifugal impeller. Wash the impeller with soapy water if needed. Be very careful to avoid water getting into the duct system or into the motor.
4	The roof duct and duct system: Remove the impeller-insert (e) and if necessary the anti-backdraught AOR. The roof duct and the duct system can now be cleaned down inside and around the opened fan. NB: Cleaning of the duct system must be done carefully, in such a fashion as to avoid any dirt or dust getting into the fan's operating parts.



## 4.2 Environmental declaration

### Product description

EXHAUSTO DTV is a an easily serviced radial fan with backward curved blades. The fan impeller is directly mounted on the motor shaft, thus reducing losses and wear and resulting in lower repair costs.

Service and cleaning is done by opening the hinged cover. This provides access to all parts in contact with the air.

The motor and any motor controls are mounted outside the air flow. The fan is CE approved and EMC tested in accordance with the applicable directives.

### Materials used

The fan housing and the fan impellers are made of recyclable pressure-cast aluminium. The visible parts of the fan housing are painted with water-based paint.

The motor consists of aluminium, steel and copper, and in some cases a plastic cooling jacket. The packaging consists of corrugated cardboard.

### Materials in %

	DTV160	DTV200	DTV250	DTV315	DTV400	DTV450
Aluminium	75%	79%	72%	76%	75%	72%
Fe	17%	15%	16%	15%	19%	22%
Copper	4%	3%	2%	1%	2%	2%
PCB; electronic components	1%	1%	7%	5%	2%	2%
Plastic, cellular rubber	1%	1%	1%	1%	1%	1%
Other	2%	1%	2%	2%	1%	1%



## 1. DK - Produktinformation

EXHAUSTO tagventilator DTV anvendes til transport af luft i indblæsnings- og udsugningsanlæg.



Ventilatoren må ikke anvendes til transport af faste partikler, eller hvor der er risiko for eksplosive gasarter.



Ventilatoren må ikke startes med åben toppart.

### 1.1 Konstruktion

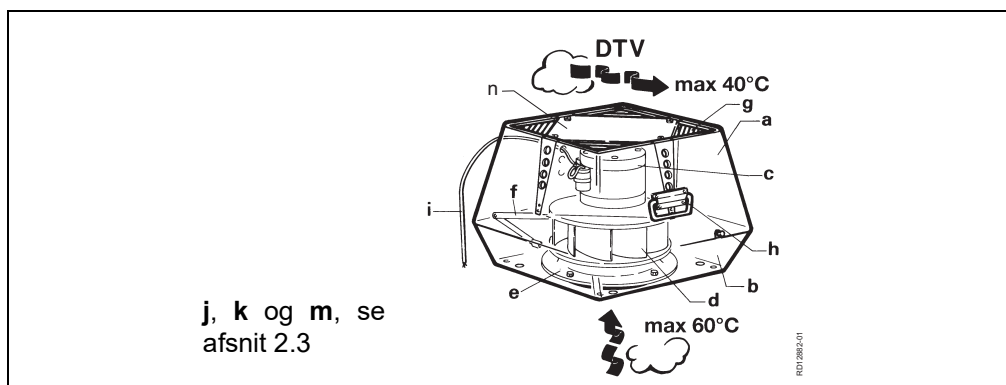
#### Beskrivelse

EXHAUSTO tagventilator DTV har vertikalt afkast og fås i følgende 1-fasede motorvarianter (EC er betegnelsen for EC motorer med indbygget EC-styring):

- DTV160-4-1
- DTV200-4-1
- DTV250-4-1EC
- DTV315-4-1EC
- DTV400-4-1EC
- DTV450-4-1EC

Tagventilatoren er af korrosionsbestandigt aluminium. Der er monteret rustfrit net som finger- og fuglebeskyttelse.

#### Hovedkomponenter



Pos.	Del
a	Toppart
b	Bundpart
c	Motor
d	Centrifugalhjul
e	Centrifugalindsats
f	Sikringsbeslag
g	Net
h	Håndtag
i	Tilslutningskabel
j	Gummiring. Tætner mellem ventilator og taggennemføring/fodplade.
k	Svingningsdæmpere. Sikrer vibrationsfri drift.
m	Sikkerhedsskruer (gule)
n	Topdæksel

#### Størrelse og vægt

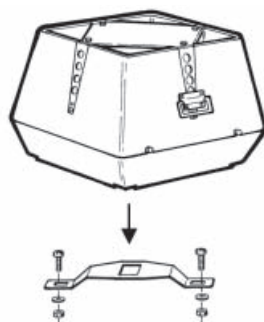
DTV	160	200	250	315	400	450
Vægt - kg	11	17	28	37	52	60



## 2. DK - Montage

### 2.1 Transportsikring DTV315, DTV400 og DTV450

Inden montage



DTV315 - DTV450

RD12885-01

Fjern transportsikringen ved centrifugalhjulet (kan gøres uden at åbne ventilatoren) og kontroller at hjulet kan løbe uhindret rundt.

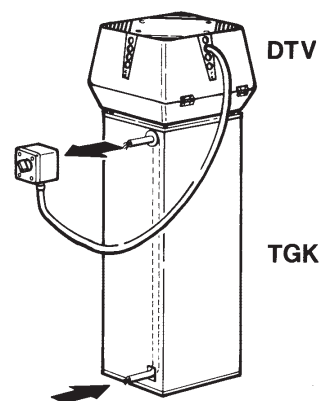
### 2.2 Taggennemføring TGK

#### Beskrivelse

EXHAUSTO standard taggennemføring TGK er opbygget af et galvaniseret pladesvøb, 50 mm mineraluld for isolering/ lyddæmpning, glasvæv og indvendigt en galvaniseret perforeret plade.

Taggennemføringen er forsynet med en indvendig kabelkanal, hvor installationskablet til forsyningsadskilleren trækkes igennem.

Taggennemføringen leveres med overtryksspjæld AOR.



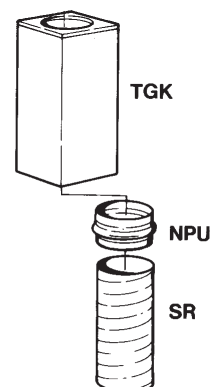
RD12887-01

#### Monter forsyningsadskiller

Monter forsyningsadskilleren (ikke EXHAUSTO leverance) på taggennemføringen TGK direkte imod pakningen. Ventilatorens tilslutningskabel føres ind i forsyningsadskilleren nedfra gennem kabelforskruing.

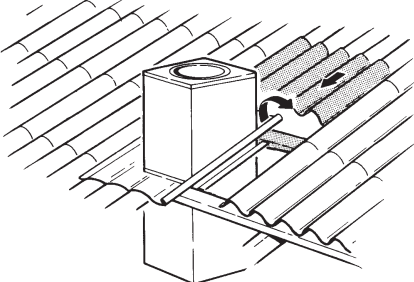
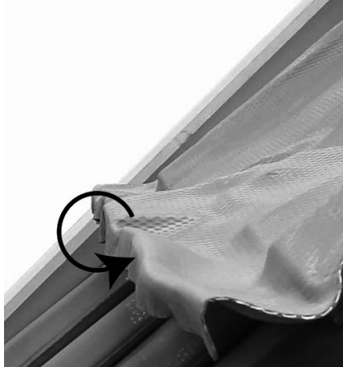

#### Kanalsystem og udsugnings-amatur

Taggennemføringen kan i bunden tilsluttes ethvert kanalsystem med standardmål i henhold til EUROVENT (nippelmål).

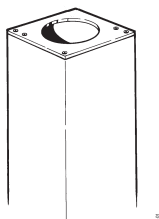


RD12889-02

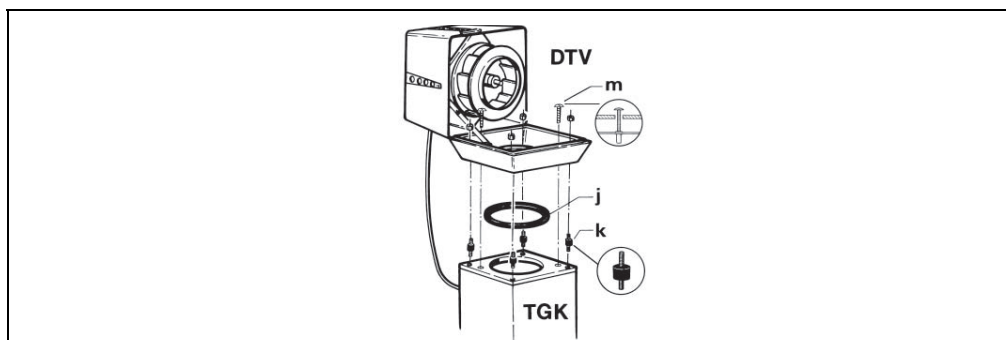
## Sådan monteres taggennemføringen TGK

Trin	Handling	
		
1	Der laves et hul i taget, ca. 30 mm større end taggennemføringen.	
2	Overliggende tagsten/-plade løsnes og forskydes opad a.h.t. inddækningen.	
		
	<b>PERFORM-inddækning</b>	<b>Zinkinddækning</b>
BEMÆRK - gælder kun PERFORM	Kanten af inddækningen (nederst, samt evt. den synlige del af siderne) kan med fordel ombukkes. Herved opnås større styrke (bedre formstabilitet og en pænere finish (se ovenstående fotos.).	
3	Taggennemføringen placeres forsigtigt i taget, således at inddækningen ligger plant med toppen af tagpladerne.	Taggennemføringen placeres forsigtigt i taget, således at inddækningen ligger plant med tagmaterialet.
4	Bærejernene fastgøres til taggennemføringen, således at den løftes ca. 5 mm, når bærejernene efterfølgende fastgøres til tagspærene. Herved sikres at hele vægten ligger på bærejernene.	Bærejernene fastgøres til taggennemføringen, således at den løftes ca. 1 mm, når bærejernene efterfølgende fastgøres til tagspærene. Herved sikres at hele vægten ligger på bærejernene.
5	Inddækningsmaterialet rulles ud og bankes forsigtigt i form med en gummihammer eller sandpose.	
6	Sker der afvanding fra kobber eller bitumen (tagpap) til PERFORM, skal PERFORM's overflade påføres FlashSeal. Følges anvisningerne <b>ikke</b> , bortfalder garantien!	
7	Overliggende tagsten/-plade lægges på plads over inddækningen.	

## 2.3 Montage på taggennemføring TGK

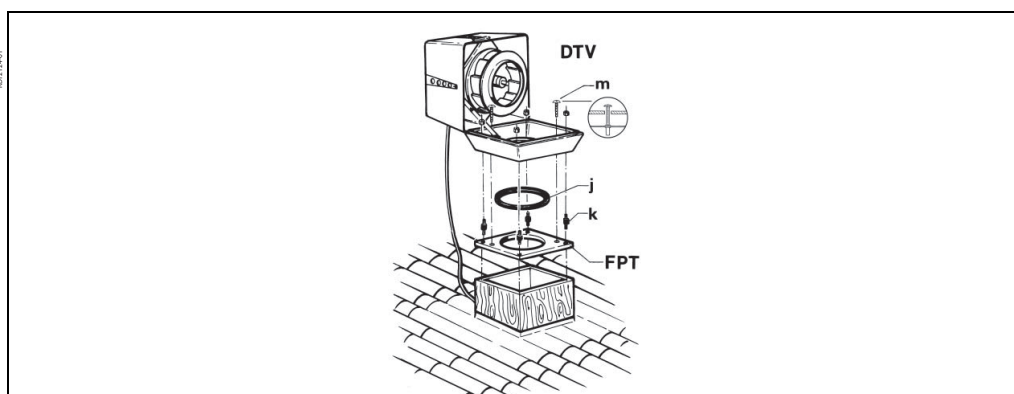


Ventilatoren kan monteres direkte på EXHAUSTO standard taggennemføring TGK.



Trin	Handling
1	Spænd de 4 medleverede svingningsdæmpere (k) fast i gevindhullerne i taggennemføringen.
2	Læg gummiringen (j) udvendigt om kanten på centrifugalindsatsen.
3	Fastspænd tagventilatoren på svingningsdæmperne med møtrikkerne.
4	Spænd de to gule sikkerhedsskruer (m) i taggennemføringen gennem frihuller i bundparten. Skruerne sikrer, at DTV'en fastholdes på taggennemføringen i alle situationer.

## 2.4 Montage på tagsokkel via fodplade FPT



Trin	Handling
1	Fastgør fodpladen til tagsoklen.
2	Forsegl samlingen mellem fodplade og tagsokkel med fugemasse.
3	Spænd de 4 medleverede svingningsdæmpere (k) fast i gevindhullerne i fodpladen.
4	Læg gummiringen (j) udvendigt om kanten på centrifugalindsatsen.
5	Fastspænd tagventilatoren på svingningsdæmperne med møtrikkerne.
6	Spænd de to gule sikkerhedsskruer (m) i fodpladen gennem frihuller i bundparten. Skruerne sikrer, at DTV'en fastholdes på fodpladen i alle situationer.

### Bemærk

Ved fugtig udsugningsluft kan der forekomme kondensvand, og tagsoklen skal derfor altid isoleres.



### 3. DK - El-tilslutning

#### Generelt



El-installationen skal foretages af autoriseret el-installatør.

Ventilator- og motorspecifikationer fremgår af de monterede typeskilte.

Max. forsikring = 13 Amp.

Hvis forsikringen er en	...skal den være med karakteristisk
smeltesikring	gG eller gM.
automatsikring	B eller C, og opfylde IEC 90947-2.

Max. kortslutningsstrøm er 10 kA

Ved opstart og indregulering af ventilationsanlægget er det vigtigt at kontrollere motorens omløbsretning, og at strømforbruget ikke overstiger mærkestrømmen på typeskiltet, da det vil medføre overbelastning af motoren.

#### Forsyningsadskiller



**EXHAUSTO A/S gør opmærksom på, at der i henhold til Maskindirektivet (bilag 1) skal opsættes en forsyningsadskiller i den faste installation af ventilatoren.**

Forsyningsadskilleren skal...

- være aflåselig, eller placeres synligt i nærheden af ventilatoren.
- kunne afbryde alle poler fra forsyningsspændingen
  - kontaktafstand min. 3 mm i hver pol.
- udføres som forsyningsadskiller i hht. IEC 60947-1 eller IEC 60947-3

**Forsyningsadskilleren er ikke en del af EXHAUSTO's leverance.**

Lynafledning... ...skal ske i henhold til gældende love og bestemmelser.

## 3.1 Ventilatorer uden EC-styring

### 3.2.1 DTV160-4-1, DTV200-4-1

#### El-tilslutning

El-tilslutning - kabel fra motor	
1-fasemotor med indbygget termosikring DTV160-4-1, DTV200-4-1	Brun= L Blå= Nreg. Gul/Grøn=

Alle 1-fasede ventilatorer er spændingsregulerbare.

Motoren er forsynet med termosikring. Termosikringen er fra fabrikken koblet i serie med motorens strømkreds.

### 3.2 Ventilatorer med EC-styring

#### Generelt

Alle ventilatorer med typebetegnelsen "EC" er regulerbare via den indbyggede EC-styring.

#### Kabler

De ledninger, der skal tilsluttes styresignal-indgangene, skal i hele deres længde have en forstærket isolering i forhold til forsyningsnettet.

#### ESD



**Elektrikeren skal være ESD-beskyttet:**

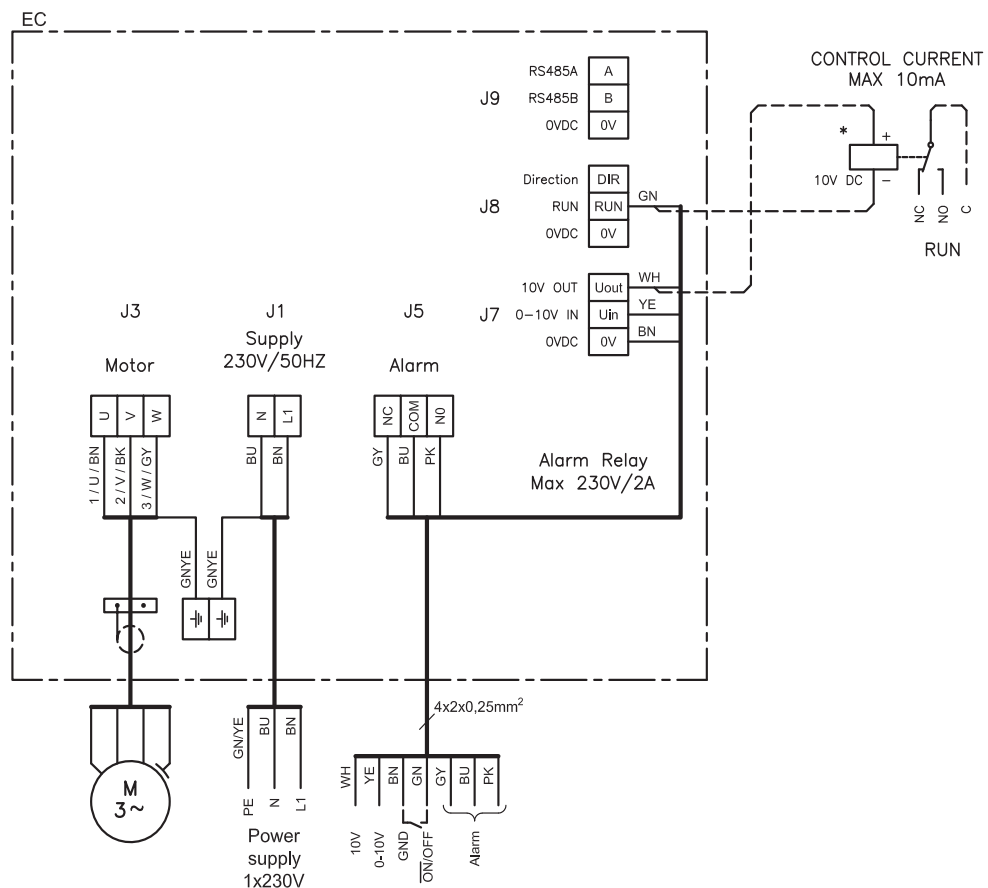
- når låget på EC-styringen demonteres
- under arbejdet med EC-styringen

#### 3.2.2 DTV250-4-1EC, DTV315-4-1EC

#### Kabeltype

Kabler til styresignaler skal være med parsnoede ledere. Kabeltypen skal minimum være CAT5e Ethernet kabel.

#### Diagram



\* Ikke EXHAUSTO leverance.

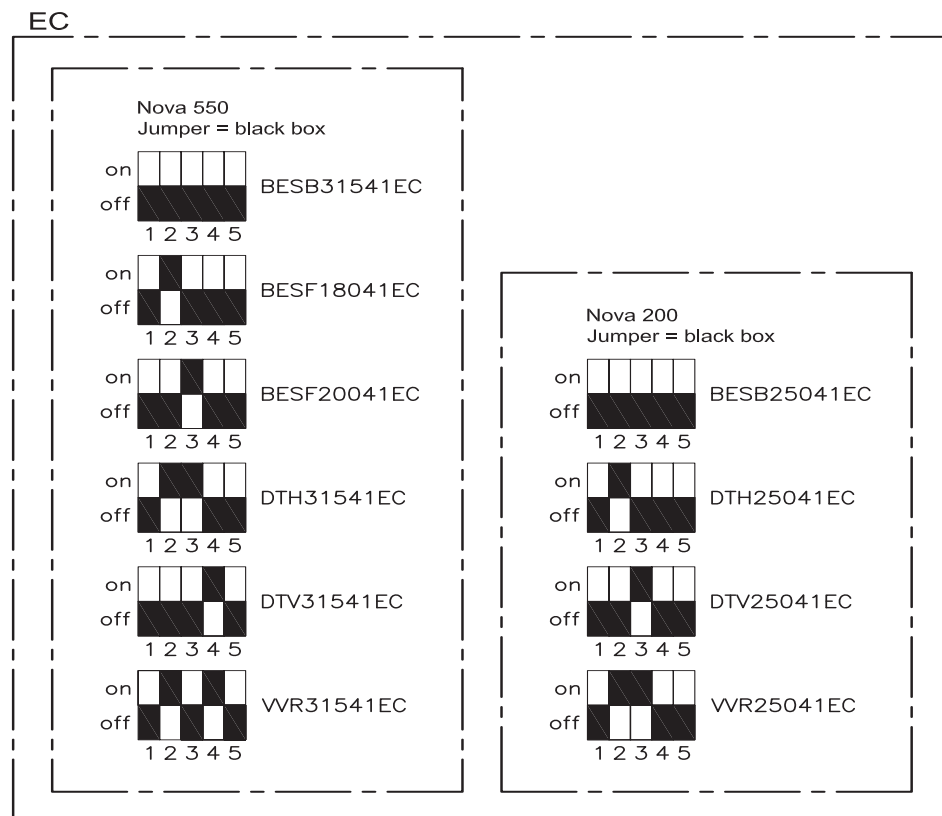
Fig. 3

RD14164-01

**Forklaring til diagram**

Klemrække	Klemme	Signalbeskrivelse
J9	A	RS485 + (A)
	B	RS485 - (B)
	0V	0 V DC (stel)
J8	DIR	Rotationsretning
	RUN	Start/stop
	0V	0 V DC (stel)
J7	U out	10V DC
	U in	0-10V DC
	0V	0 V DC (stel)
J5	NC	Alarm NC
	COM	Alarm C
	NO	Alarm NO

**Placering af dipswiche**



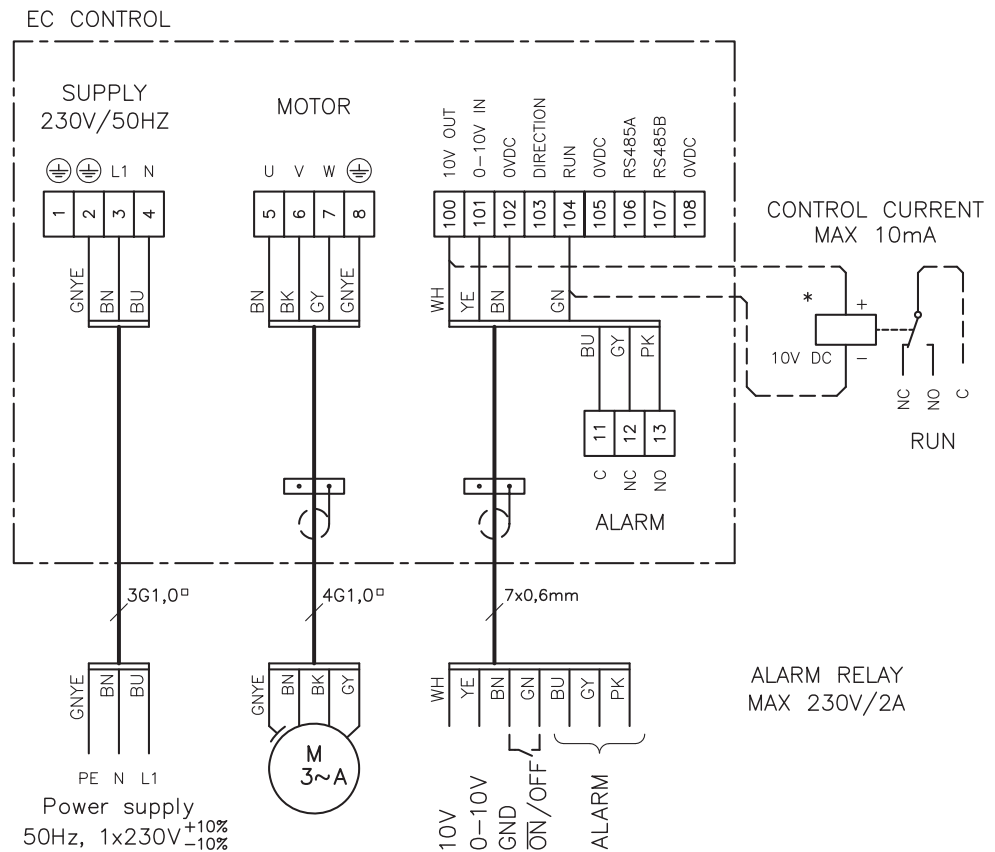
RD14145-01



### 3.2.3 DTV400-4-1EC, DTV450-4-1EC

**Kabeltype** Kabler til styresignaler skal være skærmede.

#### Diagram



\*ikke EXHAUSTO leverance.

#### Forklaring til diagram

Klemme	Signalbeskrivelse
100	10 V DC
101	0-10 V DC
102	0 V DC (stel)
103	Rotationsretning
104	Start/stop
105	0 V DC (stel)
106	RS485 + (A)
107	RS485 - (B)
108	0 V DC (stel)
11	Alarm C
12	Alarm NO
13	Alarm NC

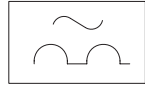
#### Lækstrøm

EC-styringen afgiver under drift en lækstrøm som er mindre end 3,5 mA. Lækstrømmen

skal ledes til jord, da der ellers er risiko for, at motoren bliver spændingsførende.

**Fejlstrømsrelæer** Hvis der monteres fejlstrømsafbrydere i installationen, skal disse være af en type, som overholder følgende krav:

- PFI-afbryder type A i henhold til EN 61008, som afbryder, når der registreres fejlstrømme med DC indhold (pulserende jævnstrøm)
- Fejlstrømsafbryderne skal være mærket med følgende symbol:



**Krav** **Udkoblingstid på max. 0,3 sekunder**

**Dimensionering af nulleder** Ved installation af flere 1-fasede DTV med EC i net med fælles nulleder, stilles der særlige krav til nullederdimensionen, da den optagne strøm ikke er sinusformet.

**Eksempel** Installeret f.eks. 3 EC-styringer fordelt på 3 faser, er nulstrømmen lig med summen af de 3 motorers strømme.

**Eksisterende installation** Tilsluttes motorene en eksisterende installation, skal det undersøges, om nullederen kan klare belastningen.

### 3.2.1 Fejlfinding for 1-faset EC-styringer

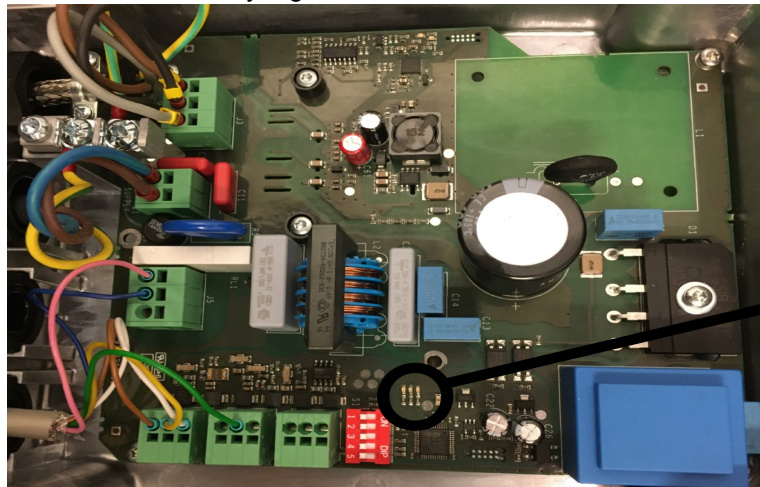


Arbejdet skal udføres af en autoriseret el-installatør.

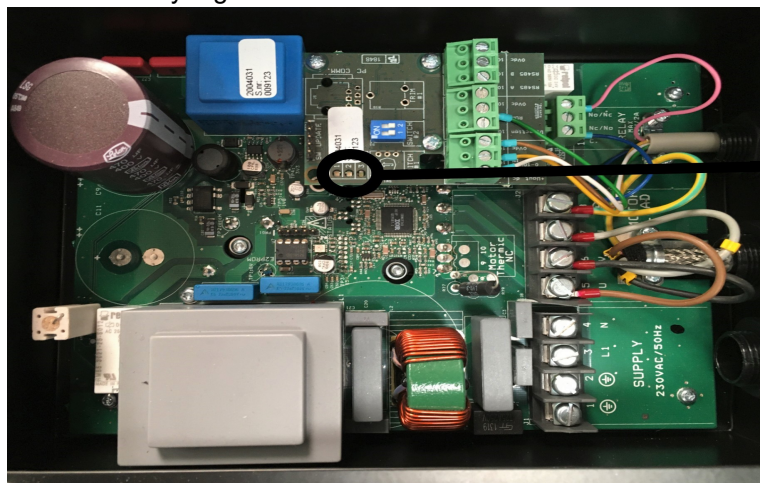
Sådan åbnes EC-styringen

Trin	Handling
1	Demonter topdækslet (n) på DTV'en.
2	Løsn og fjern de to skruer på hver side af EC-boksen.
3	Løft boksen op - herefter kan låget på boksen demonteres.

1-faset NOVA EC-styring



1-faset EC -styring



**Dioder**

- Diode 1: Rød
- Diode 2: Gul
- Diode 3: Grøn

- Fejlfindingsskema**
- Grøn diode lyser: ingen fejl
  - Rød diode lyser: der er fejl, Alarm relæ trækker
  - Gul diode: blinker for fejltype

Fejl. kode	Grøn	Rød	Gul	Fejl	Relæ
Ingen	+	-	-		
1			Reserveret		
2	-	+	2 gange/pause 4 sekunder	Under spænding 170 v	+
3	-	+	3 gange/pause 4 sekunder	Over spænding 255 v	+
4	+	-	4 gange/pause 4 sekunder	Over strøm: Reduceret omdrejningstal	-
5	-	+	Reserveret		
6	+	-	6 gange/pause 4 sekunder	Overhedning: Reduceret omdrejningstal	-
7	-	+	7 gange/pause 4 sekunder	Overhedning: Stop	+
8	-	+	8 gange/pause 4 sekunder	Hardware fejl	+
9	-	+	9 gange/pause 4 sekunder	MCE Fault	+
10	-	+	10 gange/pause 4 sekunder	Motor blokeret	+
11	-	+	11 gange/pause 4 sekunder	Motor fase mangler	+
12			Reserveret		
13	-	+	Reserveret		
14			Reserveret		
15			Reserveret		
16	-	+	16 gange/pause 4 sekunde	Kommunikations fejl	+

**Bemærk**

Når fejlen er afhjulpet, kan indikatoren (diode blink) på EC-styringen afstilles ved at afbryde forsyningsspændingen midlertidigt indtil dioden slukkes.

EXHAUSTO yder 2 års fabriksgaranti på ventilatoren.

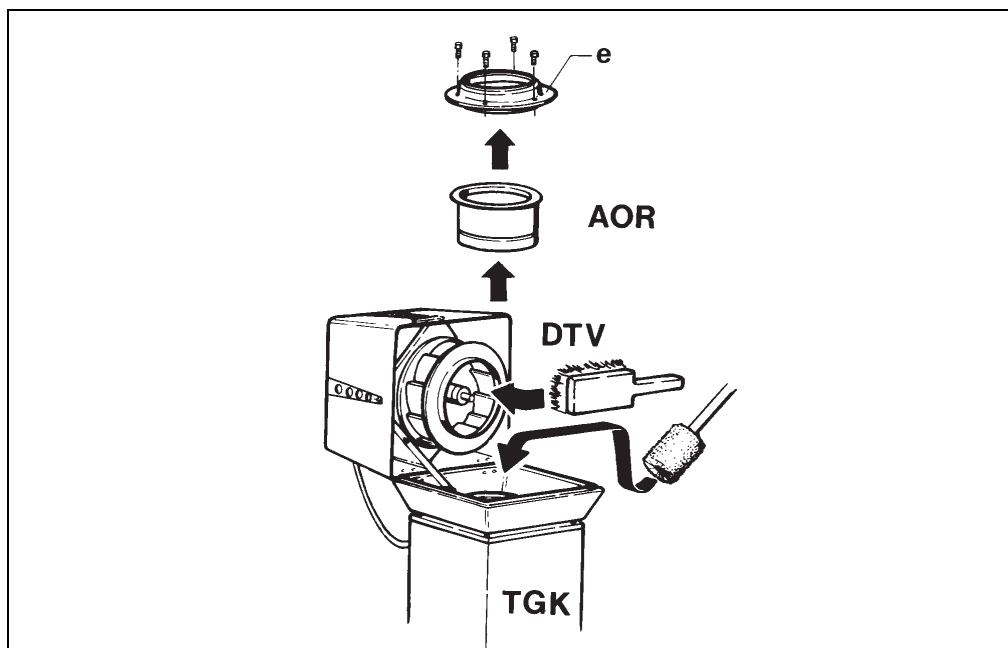


## 4. DK - Service og rengøring

Motoren i EXHAUSTO tagventilator DTV har engangssmurte lukkede special kuglelejer og er vedligeholdelsesfri. Eventuel udskiftning af lejer bør kun udføres af EXHAUSTO SERVICE.

### 4.1 Rengøring

Rengøring af ventilator og kanalsystem foretages efter behov, afhængig af tilsmudsning, på følgende måde:



Trin	Handling
1	Sluk ventilatoren på forsyningsadskilleren.
2	Løsn skruerne på forsiden af ventilatoren og sving topparten op ved hjælp af håndtaget. Sikringsbeslaget vil sørge for, at topparten forbliver åben under rensningen.
3	Børst centrifugalhjulet af. Vask eventuelt hjulet med sæbevand. Der må udvises stor forsigtighed, således at der undgås vand i kanalsystemet og op i motoren.
4	Taggennemføringen og kanalsystem: Demontér centrifugalindsatsen (e) og eventuelt overtryksspjæld AOR. Herefter kan taggennemføring og evt. kanalsystem rengøres ned igennem den åbentstående ventilator. Bemærk: Eventuel rensning af kanalsystemet skal være nøje gennemtænkt, således at unødige gener på grund af støv og snavs undgås i ventilatorens betjeningsområde.

## 3.2 Miljødeklaration

### Produkt- beskrivelse

EXHAUSTO DTV er en let servicérbar radialventilator med bagud rettede skovle. Ventilatorhjulet er direkte monteret på motorakslen hvilket mindsker tab og indebærer færre sliddele og deraf færre reparationsoverkostninger. Service og rengøring sker ved at åbne den hængslede overdel. Derved fås adgang til alle dele der er i kontakt med luften. Motoren og eventuel motorstyring er monteret udenfor luftstrømmen. Ventilatoren er CE-godkendt og EMC testet i henhold til gældende direktiver.

### Indgående materialer

Ventilatorhus samt ventilatorhjul er lavet af trykstøbt aluminium som kan genindvindes. Ventilatorhusets synlige dele er lakeret med vandbaseret maling. Motoren består af aluminium, m stål og kobber og eventuel en plast kølekappe. Emballage består af bølgepap.

### Materiale oversigt

	DTV160	DTV200	DTV250	DTV315	DTV400	DTV450
Aluminium	75%	79%	72%	76%	75%	72%
Fe	17%	15%	16%	15%	19%	22%
Kobber	4%	3%	2%	1%	2%	2%
Print; elektronik komponenter	1%	1%	7%	5%	2%	2%
Plast, celle gummi	1%	1%	1%	1%	1%	1%
Øvrigt	2%	1%	2%	2%	1%	1%



## 1. DE - Produktinformation

Der Dachventilator DTV von EXHAUSTO wird zur Luftförderung in Zuluft- und Abluftanlagen eingesetzt.



**Der Ventilator darf nicht zur Förderung von Festpartikeln oder in Bereichen mit Risiko für explosive Gase benutzt werden.**



**Der Ventilator darf nicht bei offener Oberseite eingeschaltet werden.**

### 1.1 Konstruktion

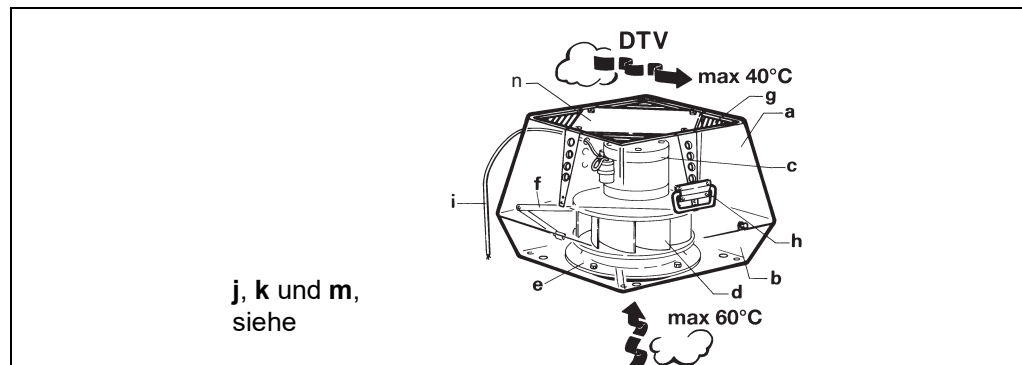
#### Beschreibung

Der Dachventilator DTV von EXHAUSTO ist mit vertikalem Auswurf in den folgenden einphasigen Motorvarianten erhältlich (EC ist die Bezeichnung für Motoren mit eingebautem EC-Automatik):

- DTV160-4-1
- DTV200-4-1
- DTV250-4-1EC
- DTV315-4-1EC
- DTV400-4-1EC
- DTV450-4-1EC

Der Dachventilator ist aus korrosionsbeständigem Aluminium. Er ist mit einem rostfreien Netz als Finger- und Vogelschutz ausgerüstet.

#### Hauptbauteile



Pos.	Bauteil
a	Oberteil
b	Unterteil
c	Motor
d	Zentrifugalrad
e	Zentrifugaleinsatz
f	Sicherungsbeschläge
g	Netz
h	Handgriff
i	Anschlusskabel
j	Gummiring. Abdichtung zwischen Ventilator und Dachdurchführung/Fußplatte.
k	Schwingungsdämpfer. Gewährleisten vibrationsfreien Betrieb.
m	Sicherheitsschrauben (gelb)
n	Abdeckblech

#### Größe und Gewicht

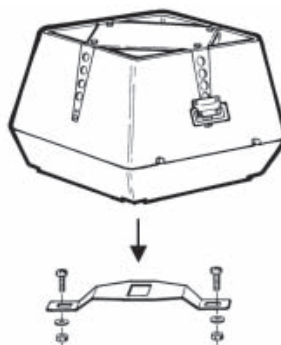
DTV	160	200	250	315	400	450
<b>Gewicht - kg</b>	11	17	28	37	52	60



## 2. DE - Montage

### 2.1 Transportsicherung DTV315, DTV400 und DTV450

Vor der Montage



DTV315 - DTV450

RD13826-01

Die Transportsicherung am Zentrifugalrad entfernen (ist ohne Öffnen des Ventilators möglich) und kontrollieren, dass sich das Rad ungehindert drehen lässt.

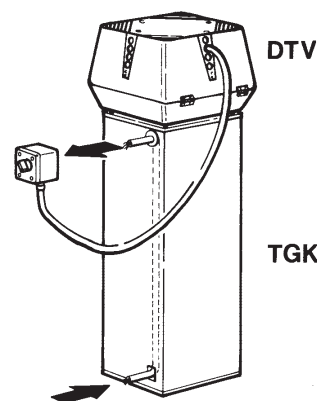
### 2.2 Dachdurchführung TGK

**Beschreibung**

Die Standard-Dachdurchführung TGK von EXHAUSTO ist aus feuerverzinktem Stahlblech, 50 mm Mineralwolle zur Isolierung/Schalldämmung, Glasgewebe und innen aus einem feuerverzinkten, perforierten Blech hergestellt.

Die Dachdurchführung ist innen mit einem Kabelkanal ausgerüstet, in dem das Installationskabel für die Versorgungstrennung verlegt wird.

Die Dachdurchführung wird mit einer Überdruckklappe vom Typ AOR geliefert.

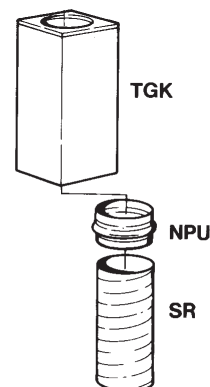


RD12887-01

**Montage der Versorgungstrennung Kanalsystem und Abluftventil**

Die Versorgungstrennung (keine EXHAUSTO-Lieferung) direkt an der Dichtung der Dachdurchführung TGK montieren. Das Anschlusskabel des Ventilators von unten durch die Kabelverschraubung in die Versorgungstrennung führen.

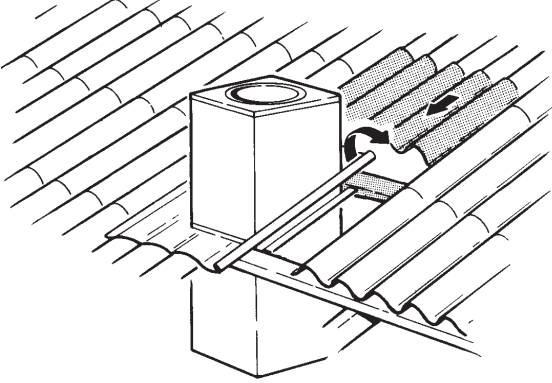


An den Anschlussstutzen der Dachdurchführung lassen sich Kanalsysteme mit Standardabmessungen gemäß EUROVENT (Nippelmaß) anschließen.



RD12889-02

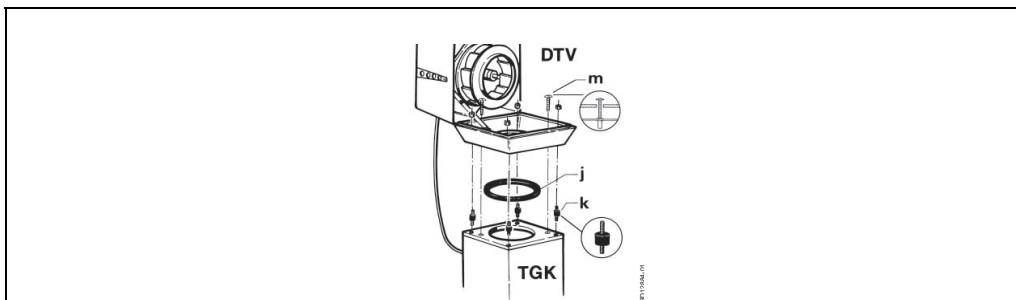
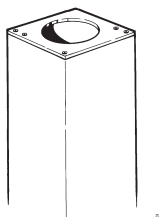


## Montage der Dachdurchführung TGK

Schritt	Vorgehen	
		
1	Eine Öffnung im Dach machen, die etwa 30 mm größer ist als die Dachdurchführung.	
2	Hineinragende Dachziegel/-platten lösen und wegen des Bleiflansches nach oben schieben.	
		
	<b>PERFORM- oder Bleiflansch</b>	<b>Zinkflansch</b>
HINWEIS - gilt nur für PERFORM	Es wird empfohlen, den Rand des Flansches umzubiegen (den unteren Teil sowie evtl. die sichtbaren Teile der Seiten). Dadurch wird eine höhere Festigkeit (bessere Formstabilität) und ein schönerer Abschluss erzielt, siehe bitte die obigen Fotos.	
3	Die Dachdurchführung vorsichtig im Dach anbringen, so dass der Flansch flächenbündig mit der Oberkante der Dachplatten liegt.	Die Dachdurchführung vorsichtig im Dach anbringen, so dass der Flansch flächenbündig mit dem Dach liegt.
4	Die Trägereisen an die Dachdurchführung befestigen, so dass die Dachdurchführung etwa 5 mm angehoben wird, wenn die Trägereisen anschließend an den Dachsparren befestigt werden. Dadurch wird gewährleistet, dass das gesamte Gewicht auf den Trägereisen ruht.	Die Trägereisen an die Dachdurchführung befestigen, so dass die Dachdurchführung etwa 1 mm angehoben wird, wenn die Trägereisen anschließend an den Dachsparren befestigt werden. Dadurch wird gewährleistet, dass das gesamte Gewicht auf den Trägereisen ruht.
5	Den Flansch ausrollen und vorsichtig durch Festklopfen mit einem Gummihammer oder Sandsack angleichen.	
6	Bei Entwässerung von Kupfer oder Bitumen auf PERFORM, ist die PERFORM Oberfläche zusätzlich mit FlashSeal zu behandeln. Werden die Anweisungen nicht befolgt, führt dies zum Erlöschen der Garantie!	
7	Hineinragende Dachziegel/-platten über den Flansch zurücklegen.	

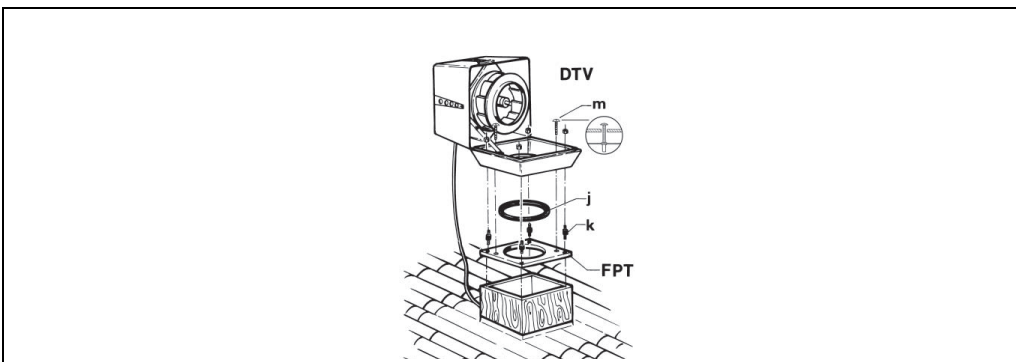
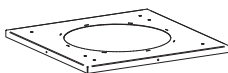
### 2.3 Montage auf der Dachdurchführung TGK

Der Ventilator lässt sich direkt auf der Standard-Dachdurchführung TGK von EXHAUSTO montieren.



Schritt	Vorgehen
1	Die 4 mitgelieferten Schwingungsdämpfer (k) in den Gewindebohrungen in der Dachdurchführung befestigen.
2	Den Gummiring (j) außen um den Rand des Zentrifugaleinsatzes legen.
3	Den Dachventilator mit den Muttern an den Schwingungsdämpfern befestigen.
4	Die beiden gelben Sicherheitsschrauben (m) in der Dachdurchführung durch die Löcher im Unterteil befestigen. Die Schrauben sorgen dafür, dass der DTV in allen Situationen an der Dachdurchführung fest sitzt.

### 2.4 Montage auf Dachsockel über Fußplatte FPT



Schritt	Vorgehen
1	Die Fußplatte auf der Dachsockel befestigen.
2	Den Anschluss zwischen Fußplatte und Dachsockel mit Fugenmasse versiegeln.
3	Die 4 mitgelieferten Schwingungsdämpfer (k) in den Gewindebohrungen in der Fußplatte befestigen.
4	Den Gummiring (j) außen um den Rand des Zentrifugaleinsatzes legen.
5	Den Dachventilator mit den Muttern an den Schwingungsdämpfern befestigen.
6	Die beiden gelben Sicherheitsschrauben (m) in der Fußplatte durch die Löcher im Unterteil befestigen. Die Schrauben sorgen dafür, dass der DTV in allen Situationen an der Fußplatte fest sitzt.

**Hinweis**

Bei feuchter Abluft kann Kondenswasser entstehen, und der Dachsockel muss daher immer isoliert werden.



### 3. DE - Elektrischer Anschluss

#### Allgemein



**Die Elektroinstallation muss von einer Fachkraft ausgeführt werden.**

Die technischen Daten des Ventilators und des Motors gehen aus dem Typenschild des Gerätes hervor.

Max. Vorsicherung = 13 Amp..

Wenn die Vorsicherung vom folgenden Typ ist,	... ist die vorgeschriebene Betriebsklasse
Schmelzsicherung	gG oder gM.
Sicherungsautomat	B oder C, und die Anforderungen von IEC 90947-2 sind einzuhalten.

Der max. Kurzschlussstrom beträgt 10 kA

Bei Inbetriebnahme und Einregelung der Lüftungsanlage ist es wichtig, die Drehrichtung, sowie die Stromaufnahme des Motors, zu kontrollieren. Der auf dem Typenschild angegebene Nennstrom darf nicht überschritten werden, da dies zur Überlastung des Motors führt.

#### Versorgungstrennung



**Die EXHAUSTO A/S weist darauf hin, dass die Richtlinie Maschine (Anlage 1) die Montage einer Versorgungstrennung bei der festen Installation des Ventilators zwingend vorschreibt.**

Die Versorgungstrennung muss:

- abschließbar sein oder sichtbar in der Nähe des Ventilators angeordnet werden.
- alle Pole von der Versorgungsspannung unterbrechen können  
- Kontaktabstand mind. 3 mm bei jedem Pol,
- als Versorgungstrennung gemäß IEC 60947-1 oder IEC 60947-3 ausgeführt sein.

**Die Versorgungstrennung ist nicht von der EXHAUSTO-Lieferung umfasst.**

**Blitzableitung ...** ... ist nach den geltenden gesetzlichen Vorschriften auszuführen.

## 3.1 Ventilatoren ohne EC-Automatik

### 3.2.1 DTV160-4-1, DTV200-4-1

#### Elektrischer Anschluss

Elektroanschluss - Kabel vom Motor	
Einphasige Motoren mit eingebauter Thermosicherung DTV160-4-1, DTV200-4-1	Braun = L Blau = Nreg. Gelb/grün = ⊕

Bei allen einphasigen Ventilatoren ist die Spannung regelbar.

Der Motor ist mit einer Thermosicherung ausgerüstet. Die Thermosicherung ist ab Werk mit dem Stromkreis des Motors in Serie geschaltet.

### 3.2 Ventilatoren mit EC-Automatik

**Allgemein** Alle Ventilatoren mit der Typenbezeichnung "EC" sind durch den eingebauten EC-Automatik regelbar.

**Kabel** Die an die Steuersignaleingänge anzuschließenden Leitungen müssen über ihre gesamte Länge mit einer verstärkten Isolierung im Verhältnis zum Versorgungsleitungen ausgerüstet sein.

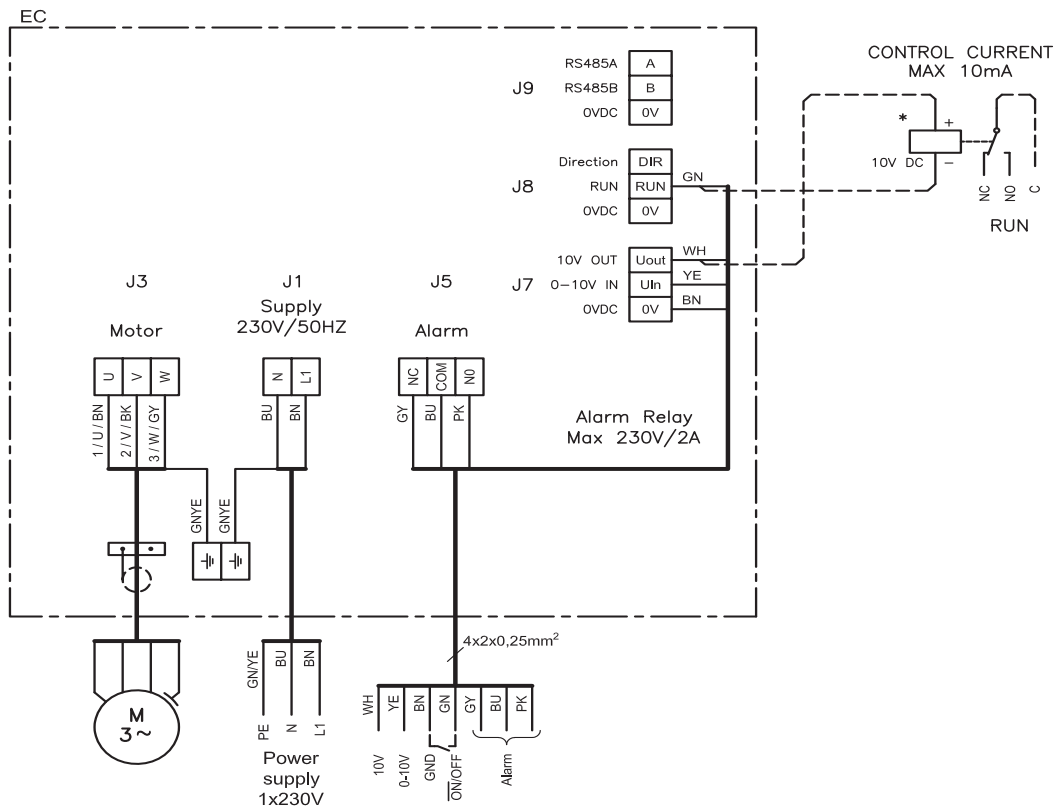
**ESD**  **Der Elektriker muss durch ESD geschützt sein, während**

- der Demontage des Deckels des EC-Automatik
- Arbeiten am EC-Automatik

#### 3.2.2 DTV250-4-1EC, DTV315-4-1EC

**Kabeltyp** Kabel für Steuersignale müssen paarweise verdrehte Leiter sein. Der Kabeltyp muss mindestens CAT5e Ethernet-Kabel sein..

**Diagramm**



\*keine EXHAUSTO-Lieferung.

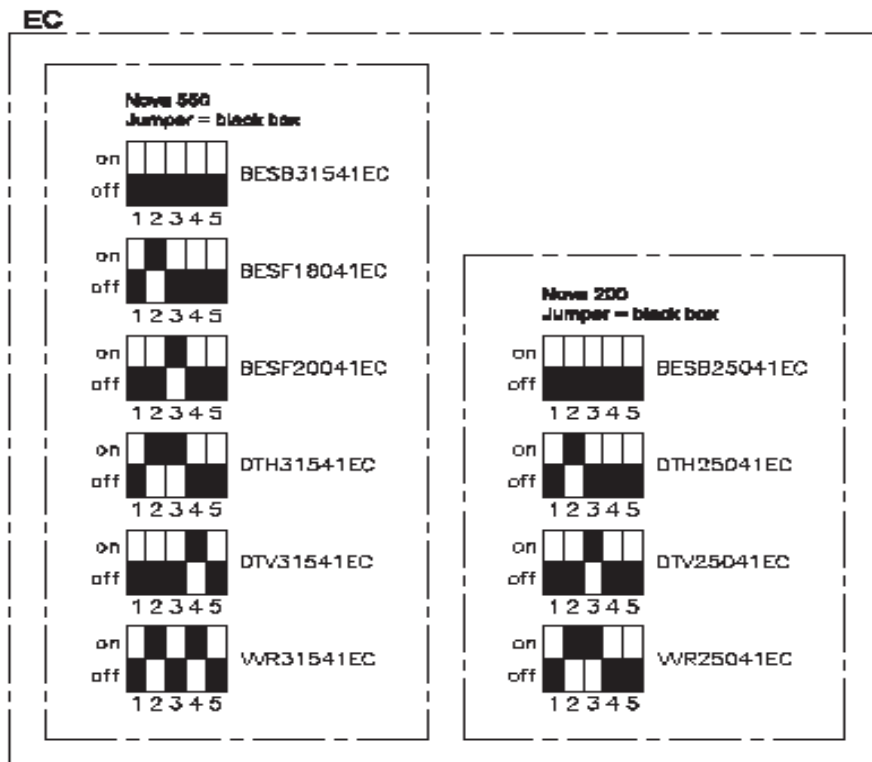
**Erklärung zum diagramm**

Klemmrække	Klemme	Signalbeschreibung
J9	A	RS485 + (A)
	B	RS485 - (B)
	0V	0 V DC (Gestell)

RD14164-01

Klemmrække	Klemme	Signalbeschreibung
J8	DIR	Drehrichtubg
	RUN	Start/stopp
	0V	0 V DC (Gestell)
J7	U Aus	10V DC
	U Ein	0-10V DC
	0V	0 V DC (Gestell)
J5	NC	Alarm NC
	COM	Alarm C
	NO	Alarm NO

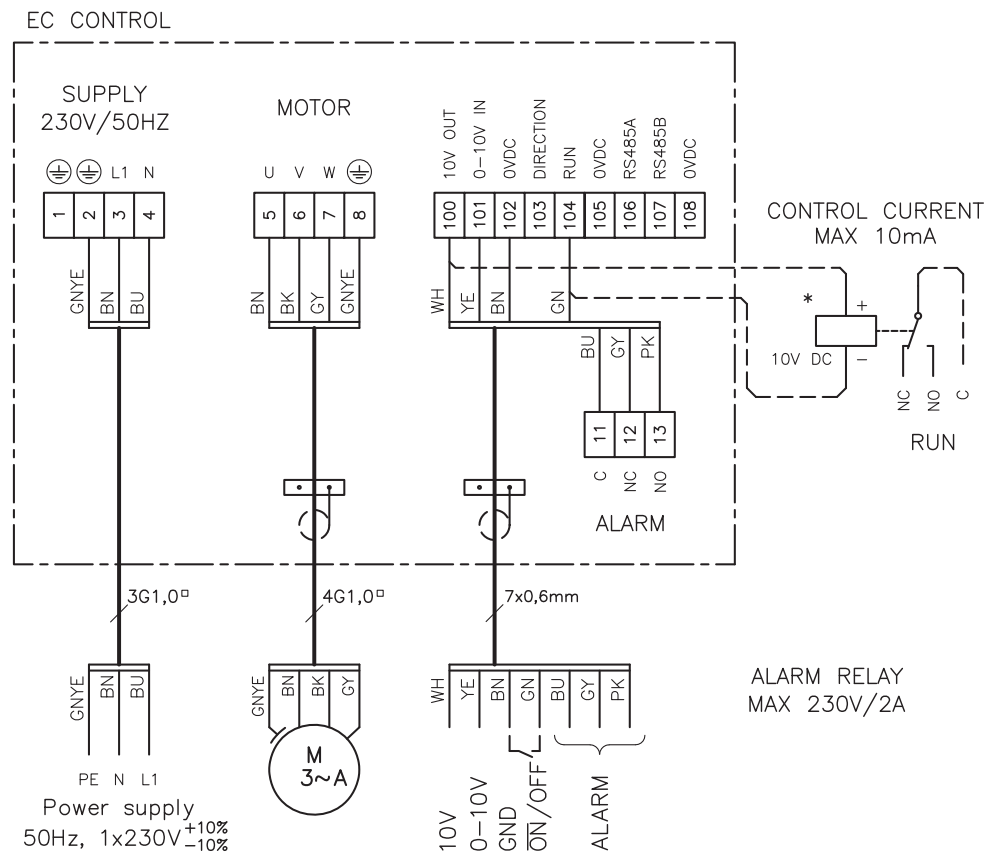
Lager der DIP-Schalter



### 3.2.3 DTV400-4-1EC, DTV450-4-1EC

**Kabeltyp** Die Kabel für die Steuersignale müssen isoliert sein.

**Diagramm**



\*keine EXHAUSTO-Lieferung.

**Erläuterung zum Diagramm**

Klemme	Signalbeschreibung
100	10 V DC
101	0-10 V DC
102	0 V DC (Gestell)
103	Drehrichtung
104	Start/Stopp
105	0 V DC (Gestell)
106	RS 485 + (A)
107	RS 485 - (B)
108	0 V DC (Gestell)
11	Alarm C
12	Alarm NO
13	Alarm NC

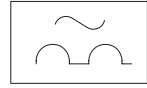
**Leckstrom** Die EC-Automatik gibt während des Betriebs einen Leckstrom von unter 3,5 mA ab. Der Leckstrom ist an den Erdanschluss zu leiten, da andernfalls die Gefahr besteht, dass

der Motor unter Spannung steht.

**Fehlerstrom-  
schutzschalter**

**Falls in der Installation Fehlerstromschutzschalter montiert werden, müssen diese den folgenden Anforderungen entsprechen:**

- Fehlerstromschutzschalter Typ A gemäß EN 61008, die bei der Erfassung von Gleichfehlerströmen (pulsierendem Gleichstrom) ausgelöst werden.
- Fehlerstromschutzschalter müssen mit dem folgenden Symbol gekennzeichnet sein:



**Anforderungen**

**Abschaltzeit von max. 0,3 Sekunden**

**Bemessung des  
Nullleiters**

Bei der Installation mehrerer einphasiger DTV-Dachventilatoren mit EC an einem Stromnetz mit gemeinsamem Nullleiter werden besondere Anforderungen an die Bemessung des Nullleiters gestellt, da die Stromaufnahme nicht sinusförmig ist.

**Beispiel**

Werden beispielsweise 3 EC-Motoren auf 3 Phasen verteilt angeschlossen, entspricht der Nullstrom der Summe der Stromwerte der 3 Motoren.

**Vorhandene  
Installation**

Werden die Motoren an eine vorhandene Installation angeschlossen, ist zu untersuchen, ob der Nullleiter für die Belastung bemessen ist.

### 3.2.1 Fehlersuche bei 1-phasigen EC-Automatik

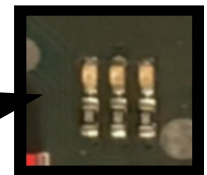
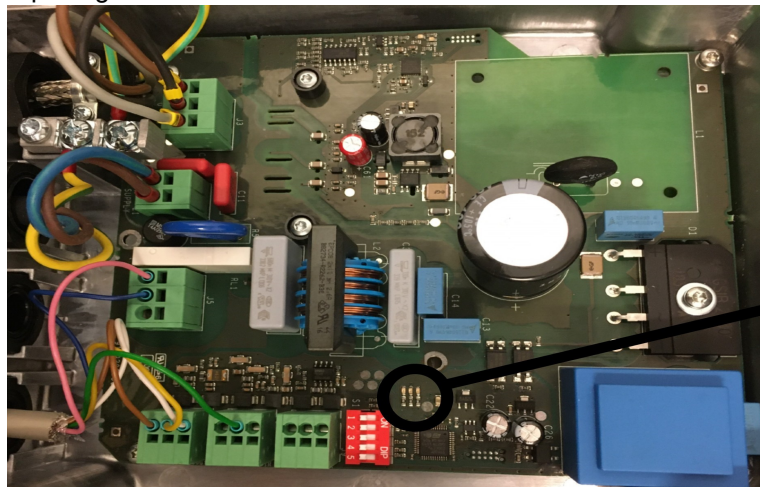


Die Arbeit ist von einem Elektroinstallateur auszuführen.

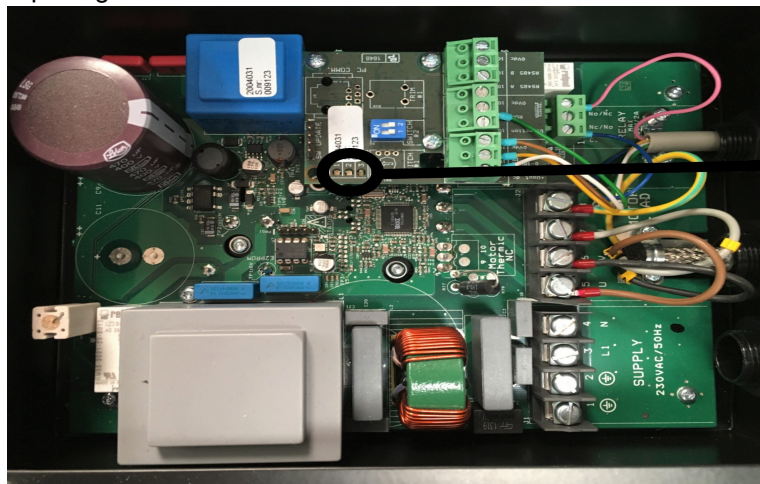
Die EC-Automatik öffnen

Schritt	Vorgehen
1	Das Abdeckblech (n) oben am DTV entfernen.
2	Die beiden Schrauben an den jeweiligen Seiten der EC-Box lösen und entfernen.
3	Nach Anheben der Box lässt sich der Deckel der Box demontieren.

1-phasigen NOVA EC-automatik



1-phasigen EC -automatik



Dioden

- Diode 1: Rot
- Diode 2: Gelb
- Diode 3: Grün



**Schema zur  
Fehlersuche**

- Grüne Diode leuchtet: Kein Fehler
- Rote Diode leuchtet: Fehler, das Alarmrelais zieht an
- Gelbe Diode: Blinkt für Fehlertyp

Fehlercode	Grün	Rot	Gelb	Fehler	Relais
Kein Code	+	-	-		
1			Reserviert		
2	-	+	2 Mal / Pause 4 Sekunden	Unterspannung 170 v	+
3	-	+	3 Mal / Pause 4 Sekunden	Überspannung 255 v	+
4	+	-	4 Mal / Pause 4 Sekunden	Überstrom: Reduzierte Drehzahl	-
5			Reserviert		
6	+	-	6 Mal / Pause 4 Sekunden	Überhitzung: Reduzierte Drehzahl	-
7	-	+	7 Mal / Pause 4 Sekunden	Überhitzung: Stopp	+
8	-	+	8 Mal / Pause 4 Sekunden	Hardwarefehler	+
9	-	+	9 Mal / Pause 4 Sekunden	MCE Fault	+
10	-	+	10 Mal / Pause 4 Sekunden	Motor blockiert	+
11	-	+	11 Mal / Pause 4 Sekunden	Motorphase fehlt	+
12			Reserviert		
13	-	+	Reserviert		
14			Reserviert		
15			Reserviert		
16	-	+	16 Mal / Pause 4 Sekunden	Kommunikations-fehler	+

**Hinweis**

Nach Abhilfe des Fehlers lässt sich die Anzeige (Blinken der Diode ) an der EC-Automatik durch vorübergehendes Abschalten der Versorgungsspannung bis zum Erlöschen der Diode abstellen

EXHAUSTO leistet 2 Jahre Werksgarantie auf den Ventilator.

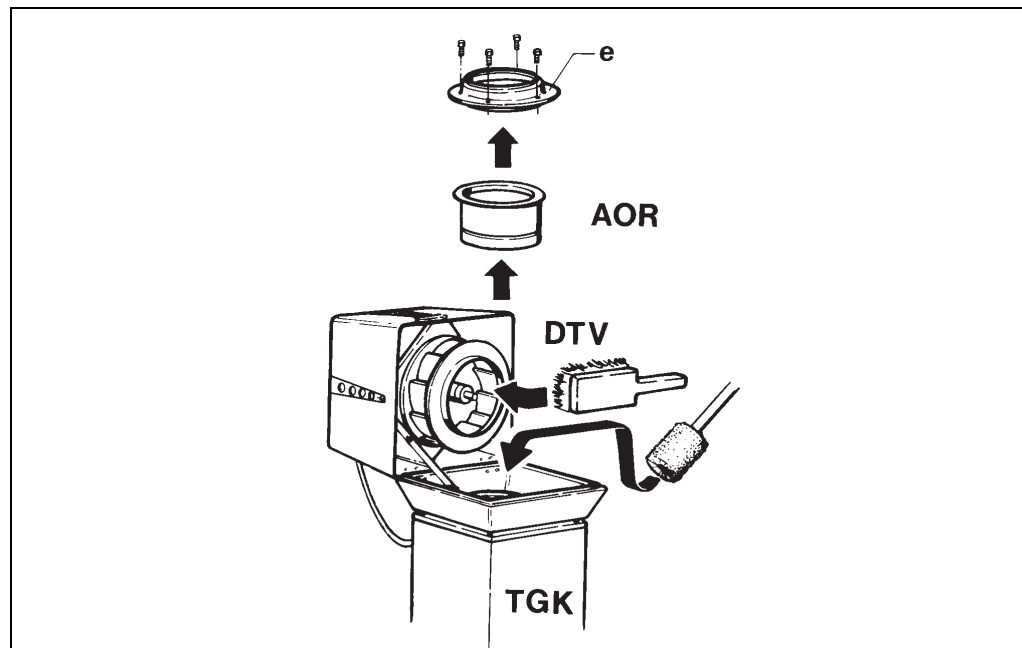


## 4. DE - Wartung und Reinigung

Die Motoren im Dachventilator DTV von EXHAUSTO sind mit voll geschlossenen wartungsfreien Spezialkugellagern ausgerüstet. Ein etwaiger Austausch von Lagern sollte nur vom EXHAUSTO SERVICE ausgeführt werden.

### 4.1 Reinigung

Der Ventilator ist nach Bedarf je nach Verschmutzung wie folgt zu reinigen:



Schritt	Vorgehen
1	Den Ventilator an der Versorgungstrennung abschalten.
2	Die Schrauben an der Front des Ventilators lösen und mit dem Handgriff das Oberteil nach oben schwenken. Der Sicherheitsbeschlag sorgt dafür, dass das Oberteil während der Reinigung nicht zuklappt.
3	Das Zentrifugalrad mit einer Bürste reinigen. Eventuell das Rad mit Seifenwasser reinigen. Dabei ist große Vorsicht geboten, damit kein Wasser in das Kanalsystem und in den Motor gelangt.
4	Dachdurchführung und Kanalsystem: Den Zentrifugaleinsatz (e) und eine etwaige Überdruckklappe AOR demontieren. Danach lässt sich die Dachdurchführung und ein etwaiges Kanalsystem durch den offenen Ventilator reinigen. Hinweis: Eine Reinigung des Kanalsystems muss genau durchdacht werden, um unnötige Störungen durch Staub und Schmutz im Bedienbereich des Ventilators zu vermeiden.

## 3.2 Umweltdeklaration

**Produktbeschreibung** Der DTV von EXHAUSTO ist ein leicht zu wartender Radialventilator mit rückwärtsgekrümmten Schaufeln. Das Zentrifugalrad ist direkt auf der Motorwelle montiert, wodurch Energieverlust und Verschleiß reduziert werden. Die Reparaturkosten betragen daher ein Minimum.

Wartung und Reinigung erfolgen durch Öffnen des an Scharnieren montierten Oberteils. Bei geöffnetem Oberteil ist Zugang zu sämtlichen Bauteilen, die mit der Luft in Kontakt sind. Der Motor sowie eine etwaige Motorregelung sind außerhalb des Luftstromes montiert.

Der Ventilator ist CE-zugelassen und nach den geltenden Richtlinien EMV-getestet.

**Eingesetzte Werkstoffe** Das Lüftergehäuse sowie das Zentrifugalrad sind aus wiederverwertbarem Druckgussaluminium hergestellt

Der sichtbare Teil des Lüftergehäuses ist mit Farbe auf Wasserbasis lackiert.

Der Motor besteht aus Aluminium, Stahl und Kupfer sowie eventuell einer Kühlkappe aus Kunststoff. Die Verpackung besteht aus Wellpappe.

### Materialübersicht

	DTV160	DTV200	DTV250	DTV315	DTV400	DTV450
Aluminium	75%	79%	72%	76%	75%	72%
Fe	17%	15%	16%	15%	19%	22%
Kupfer	4%	3%	2%	1%	2%	2%
Platine; Elektronik- komponenten	1%	1%	7%	5%	2%	2%
Kunststoff, Zellgummi	1%	1%	1%	1%	1%	1%
Sonstiges	2%	1%	2%	2%	1%	1%



## 1.NO - Produktinformasjon

EXHAUSTO takvifte DTV brukes til transport av luft i tillufts- og avtrekksanlegg.



Viften må ikke brukes til transport av faste partikler eller hvor det er risiko for eksplosive gasser.



Viften må ikke startes med åpen Toppdel.

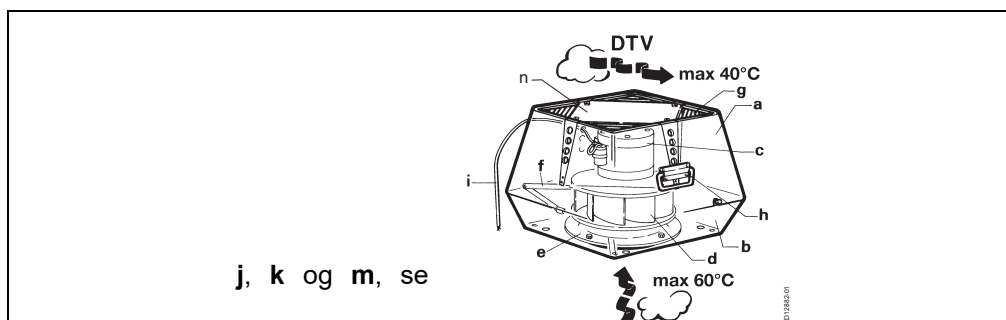
### 1.1 Konstruksjon

**Beskrivelse** EXHAUSTO takvifte DTV har vertikalt avkast og fås i følgende 1-fasede motorvarianter (EC er betegnelsen for motorer med innebygd EC-styring):

- DTV160-4-1
- DTV200-4-1
- DTV250-4-1EC
- DTV315-4-1EC
- DTV400-4-1EC
- DTV450-4-1EC

Takviften er laget i korrosjonsbestandig aluminium. Det er montert rustfritt nett som finger- og fuglevern.

#### Hovedkomponenter



Pos.	Del
a	Toppdel
b	Bunndel
c	Motor
d	Sentrifugalhjul
e	Sentrifugalinnsats
f	Sikringsbeslag
g	Nett
h	Håndtak
i	Tilkoblingskabel
j	Gummiring. Tetter mellom vifte og takgjennomføring/fotplate.
k	Vibrasjonsdempere. Sikrer vibrasjonsfri drift.
m	Sikkerhetsskruer (gule)
n	Toppdeksel

#### Størrelse og vekt

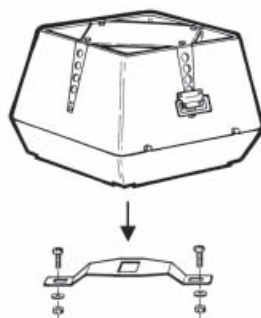
DTV	160	200	250	315	400	450
Vekt - kg	11	17	28	37	52	60



## 2.NO - Montering

### 2.1 Transportsikring DTV315, DTV400 og DTV450

Før montering



DTV315 - DTV450

RD12870-01

Fjern transportsikringen ved sentrifugalhjulet (kan gjøres uten å åpne viften) og kontroller at hjulet kan løpe uhindret rundt.

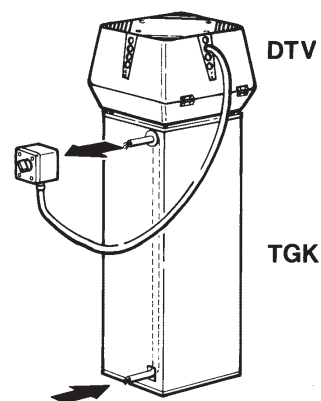
### 2.2 Takgjennomføring TGK

#### Beskrivelse

EXHAUSTO standard takgjennomføring TGK er bygd opp i galvanisert plate, 50 mm mineralull for isolering/lyddemping, glassvev og innvendig en galvanisert perforert plate.

Takgjennomføringen er forsynt med en innvendig kabelkanal som installasjonskabelen for skillebryteren trekkes gjennom.

Takgjennomføringen leveres med overtrykksspjeld AOR.



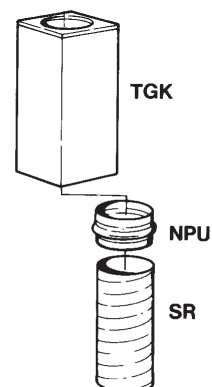
RD12887-01

#### Montering av skillebryter

Monter skillebryteren (ikke EXHAUSTO-leveranse) på takgjennomføringen TGK direkte mot pakningen. Viftens tilkoblingskabel føres inn i skillebryteren nedenfra gjennom kabelforskrutningen.

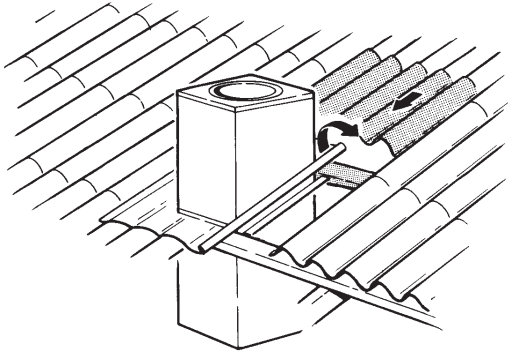


#### Kanalsystem og avtrekksarmatur

I bunnen kan takgjennomføringen tilkobles ethvert kanalsystem med standardmål i henhold til EUROVENT (nippelmål).



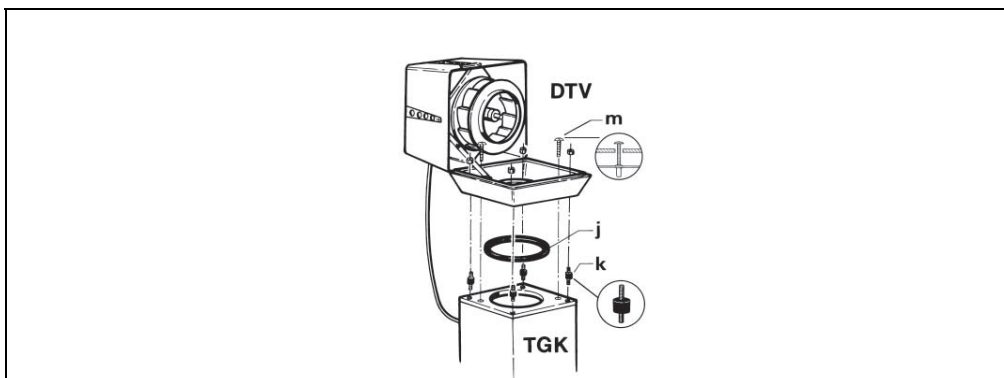
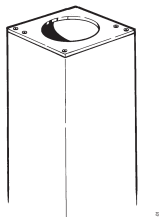
RD12889-02

## Slik monteres takgjennomføringen TGK

Trinn	Handling	
		
1	Lag et hull i taket ca. 30 mm større enn takgjennomføringen.	
2	Løs overliggende takstein/-plate og skyv den oppover av hensyn til flensen.	
		
	<b>PERFORM- eller blyflens</b>	<b>Sinkflens</b>
MERK - gjelder bare PERFORM	Kanten av flensen (nederst, og ev. den synlige delen av sidene) kan med fordel bøyes inn. Det gir større styrke (bedre formstabilitet) og penere finish (se bildene over).	
3	Plasser takgjennomføringen forsiktig i taket slik at flensen ligger plant med toppen av takplatene.	Plasser takgjennomføringen forsiktig i taket slik at flensen ligger plant med takmaterialet.
4	Fest bærejernene til takgjennomføringen, slik at den løftes ca. 5 mm når bærejernene deretter festes til taksperrene. På den måten sikres at hele vekten ligger på bærejernene.	Fest bærejernene til takgjennomføringen slik at den løftes ca. 1 mm når bærejernene deretter festes til taksperrene. På den måten sikres at hele vekten ligger på bærejernene.
5	Rull ut flensen og bank den forsiktig i form med en gummihammer eller en sandpose.	
6	Hvis det skjer en avvanning fra kobber eller bitumen (takpapp) til PERFORM, må det påføres FLashSeal på PERFORMs overflate. Garantien bortfaller hvis ikke anvisningene følges!	
7	Legg overliggende takstein/-plate på plass ovenpå flensen.	

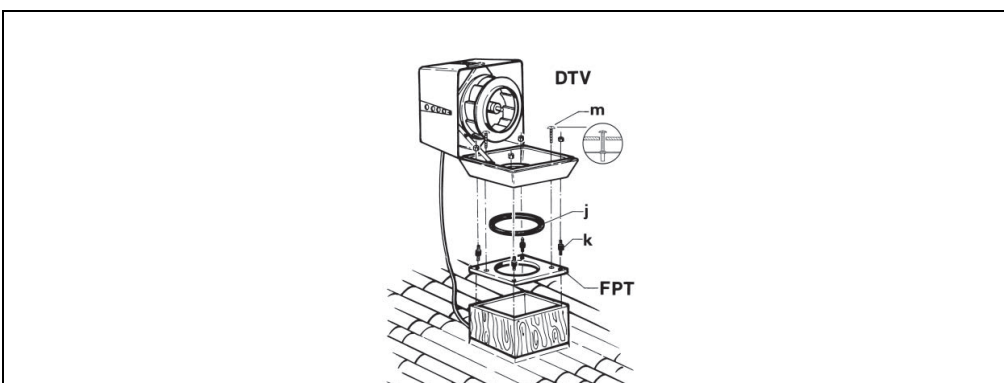
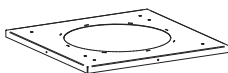
## 2.3 Montering på takgjennomføring TGK

Viften kan monteres direkte på EXHAUSTO standard takgjennomføring TGK.



Trinn	Handling
1	Skru de 4 medleverte vibrasjonsdemperne (k) fast i gjengehullene i takgjennomføringen.
2	Legg gummiringen (j) rundt kanten utvendig på sentrifugalinnsatsen.
3	Skru fast takviften på vibrasjonsdemperne med mutterne.
4	Skru de to gule sikkerhetsskruene (m) i takgjennomføringen gjennom frihullene i bunndelen. Skruene sikrer at DTV-en holdes fast på takgjennomføringen i alle situasjoner.

## 2.4 Montering på taksokkel via fotplate FPT



Trinn	Handling
1	Fest fotplaten på taksokkelen.
2	Forsegl skjøten mellom fotplate og taksokkel med fugemasse.
3	Skru de 4 medleverte vibrasjonsdemperne (k) fast i gjengehullene i fotplaten.
4	Legg gummiringen (j) rundt kanten utvendig på sentrifugalinnsatsen.
5	Skru fast takviften på vibrasjonsdemperne med mutterne.
6	Skru de to gule sikkerhetsskruene (m) i fotplaten gjennom frihullene i bunndelen. Skruene sikrer at DTV-en holdes fast på fotplaten i alle situasjoner.

### Merk

Med fuktig avtrekksluft kan det forekomme kondens, og taksokkelen må derfor alltid isoleres.



### 3.NO - Elektrisk tilkobling

#### Generelt



Den elektriske installeringen må bare utføres av en autorisert installatør.

Vifte- og motorspesifikasjoner fremgår av typeskiltene som er montert.

Maks. sikring = 13 Amp..

Hvis forankoblet sikring er en	...skal den ha karakteristikk
smeltesikring	gG eller gM.
automatsikring	B eller C, og samsvare med IEC 90947-2.

Maks. kortslutningsstrøm er 10 kA

Ved oppstart og innregulering av ventilasjonsanlegget er det viktig å kontrollere motorens dreieretning, og at strømforbruket ikke overstiger merkestrømmen på typeskiltet, da det vil medføre overbelastning av motoren.

#### Skillebryter



**EXHAUSTO A/S gjør oppmerksom på at det i henhold til Maskindirektivet (vedlegg 1) skal monteres en skillebryter i den faste installasjonen av viften.**

Skillebryteren skal...

- være låsbar eller plasseres synlig i nærheten av viften.
- kunne bryte alle poler fra matespenningen
  - kontaktavstand min. 3 mm på hver pol.
- være utført som skillebryter i henhold til IEC 60947-1 eller IEC 60947-3.

**Skillebryteren er ikke en del av EXHAUSTO-leveransen.**

**Lynavledning...** ...skal utføres i henhold til gjeldende lover og forskrifter.

## 3.1 Vifter uten EC-styring

### 3.1.1 DTV160-4-1, DTV200-4-1

#### Elektrisk tilkobling

Elektrisk tilkobling - kabel fra motor	
1-fasemotor med innebygd termosikring DTV160-4-1, DTV200-4-1	Brun= L Blå= Nreg. Gul/grønn=

Alle enfasede vifter kan spenningsreguleres.

Motoren er forsynt med termosikring. Termosikringen er fra fabrikken koblet i serie med motorens strømkrets.



### 3.2 Vifter med EC-styring

**Generelt** Alle vifter med typebetegnelsen "EC" er regulerbare via den innebygde EC-styringen.

**Kabler** Ledningene som skal tilkobles styresignalinngangene, må i hele sin lengde ha forsterket isolering i forhold til forsyningsledningene.

**DTV**



**Elektrikeren skal være ESD-beskyttet:**

- når lokket på EC-styringen demonteres
- under arbeid på EC-styringen

#### 3.2.1 DTV250-4-1EC, DTV315-4-1EC

**Kabeltype** Kabler til styresignaler skal bestå av tvunnede parledere. Kabeltypen skal minst være CAT5e Ethernet-kabel.

**Diagram**

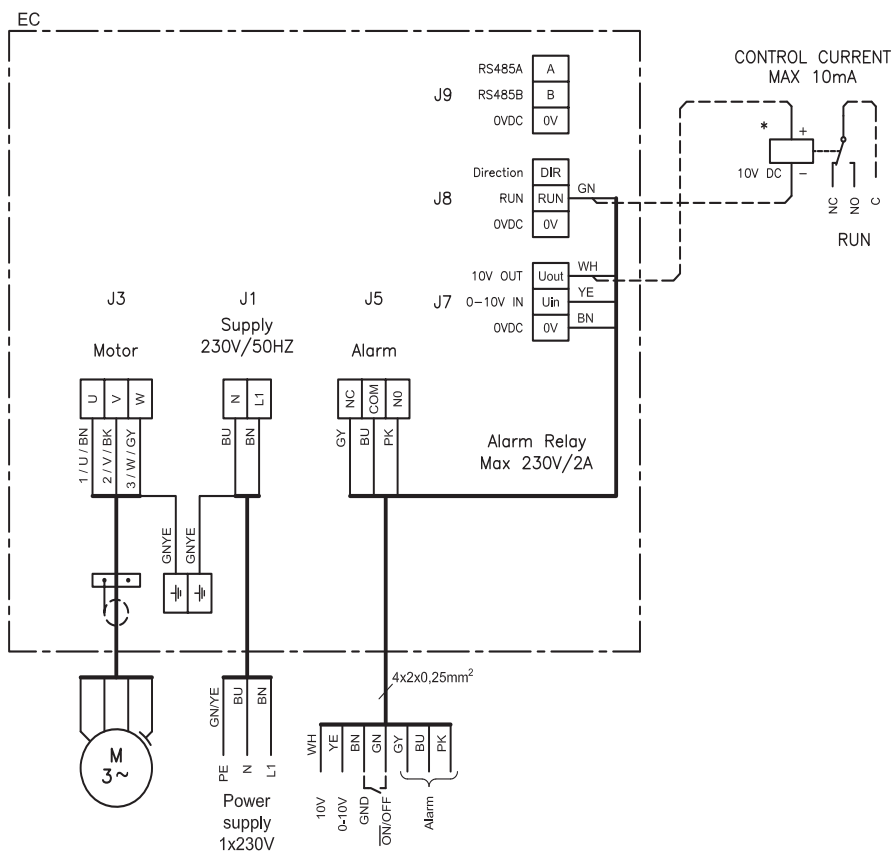


Fig. 7

\* Ikke EXHAUSTO leverance.

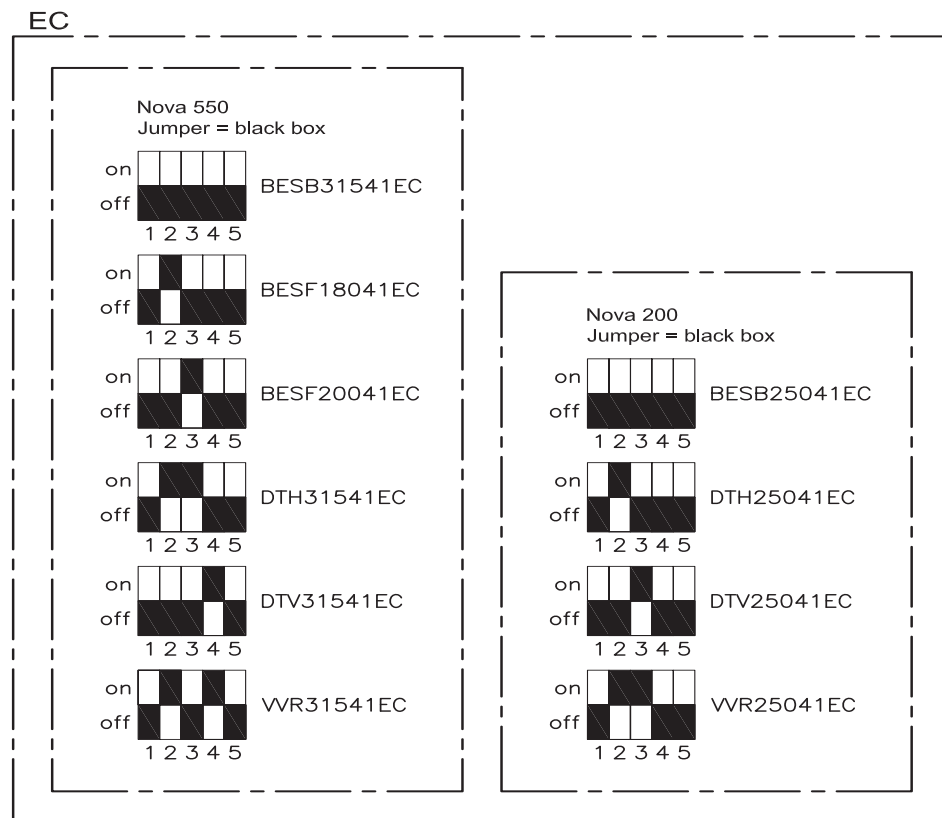
**Forklaring til diagram**

Terminal	Klemme	Signalbeskrivelse
J9	A	RS485 + (A)
	B	RS485 - (B)
	0V	0 V DC (stel)

RD14164-01

Terminal	Klemme	Signalbeskrivelse
J8	DIR	Rotasjonsretning
	RUN	Start/Stopp
	0V	0 V DC (ramme)
J7	U out	10V DC
	U in	0-10V DC
	0V	0 V DC (ramme)
J5	NC	Alarm NC
	COM	Alarm C
	NO	Alarm NO

**Placering af dipswiche**

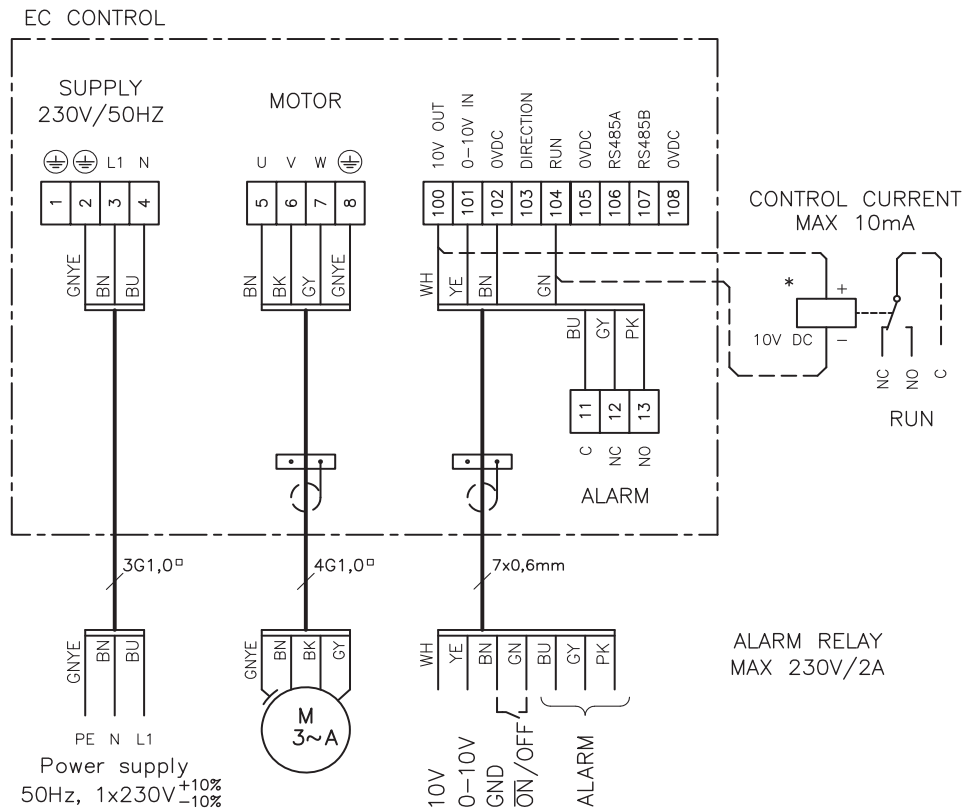


RD14145-01

### 3.2.2 DTV400-4-1EC, DTV450-4-1EC

**Kabeltype** Kabler til styresignaler skal være skjermet.

**Skjema**




\* Ikke EXHAUSTO-leveranse.

**Forklaring til diagram**

Klemme	Signalbeskrivelse
100	10 V DC
101	0-10 V DC
102	0 V DC (stel)
103	Rotasjonsretning
104	Start/stop
105	0 V DC (stel)
106	RS485 + (A)
107	RS485 - (B)
108	0 V DC (stel)
11	Alarm C
12	Alarm NO
13	Alarm NC

RD13306-06

---

<b>Lekkstrøm</b>	EC-styringen avgir under drift en lekkstrøm som er mindre enn 3,5 mA. Lekkstrømmen må ledes til jord, da det ellers er risiko for at motoren blir spenningsførende.
<b>Jordfeilbrytere</b>	<p><b><u>Hvis det monteres jordfeilbrytere i installasjonen, må disse være av en type som overholder følgende krav:</u></b></p> <ul style="list-style-type: none"><li>• PFI-bryter type A i henhold til EN 61008 som bryter når det registreres feilstrømmer med DC-innhold (pulserende likestrøm)</li><li>• Jordfeilbryterne må være merket med følgende symbol:</li></ul> 
<b>Krav</b>	<b>Utkoblingstid på maks. 0,3 sekunder</b>
<b>Dimensjonering av nulleleder</b>	Ved installasjon av flere enfasede DTV-vifter med EC-motorer i nett med felles nulleleder stilles det spesielle krav til dimensjonen på nullederen, da opptatt strøm ikke er sinusformet.
<b>Eksempel</b>	Installeres f.eks. tre EC-motorer fordelt på tre faser, er nullstrømmen lik summen av de tre motorenes strømmer.
<b>Eksisterende installasjon</b>	Dersom motorene tilkobles en eksisterende installasjon, må det undersøkes om nullederen kan klare denne belastningen.

---

### 3.2.1 Feilsøking for 1-fasede EC-styringer



Arbeidet må bare utføres av en autorisert elektroinstallatør.

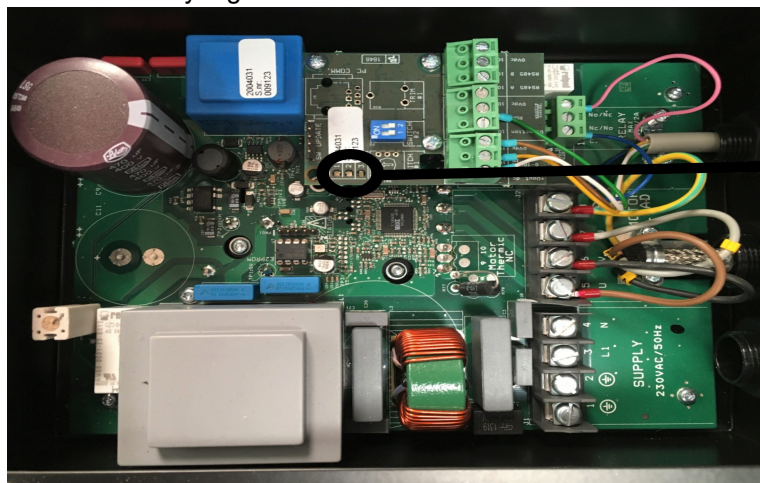
Slik åpnes  
EC-styringen

Trinn	Handling
1	Ta av toppdekselet (n) på DTV-en.
2	Løs og fjern de to skruene på hver side av EC-boksen.
3	Løft opp boksen - deretter kan lokket på boksen tas av.

1-fasede NOVA EC-styring



1-fasede EC styring



**Dioder**

- Diode 1: Rød
- Diode 2: Gul
- Diode 3: Grønn

**Feilsøkingsskjema**

- Grønn diode lyser: ingen feil
- Rød diode lyser: det foreligger en feil. Alarmrelé trekker
- Gul diode: blinker for feiltype

Feilkode	Grønn	Rød	Gul	Feil	Relé
Ingen	+	-	-		
1			Resevert		
2	-	+	2 ganger/pause 4 sekunder	Under spenning 170 v	+
3	-	+	3 ganger/pause 4 sekunder	Over spenning 255 v	+
4	+	-	4 ganger/pause 4 sekunder	Over strøm: Redusert turtall	-
5			Resevert		
6	+	-	6 ganger/pause 4 sekunder	Overoppheting: Redusert turtall	-
7	-	+	7 ganger/pause 4 sekunder	Overoppheting: Stopp	+
8	-	+	8 ganger/pause 4 sekunder	Maskinvarefeil	+
9	-	+	9 ganger/pause 4 sekunder	MCE Fault	+
10	-	+	10 ganger/pause 4 sekunder	Motor blokkert	+
11	-	+	11 ganger/pause 4 sekunder	Motor mistet en fase	+
12			Resevert		
13	-	+	Resevert		
14			Resevert		
15			Resevert		
16	-	+	16 ganger/pause 4 sekunder	Kommunikasjonsfeil	+

**Merk**

Når feilen er rettet, kan indikatoren (blinkende diode) på EC-styringen slås av ved å avbryte matespenningen midlertidig til lysdioden slukner.

EXHAUSTO yter 2 års fabrikkgaranti på viften.

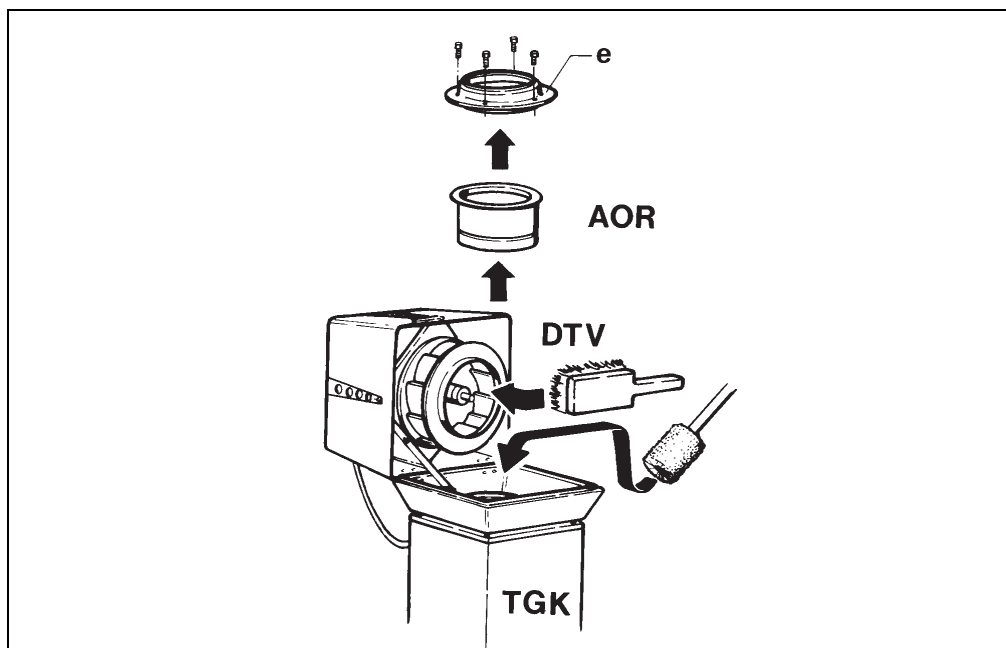


## 4.NO - Service og rengjøring

Motoren i EXHAUSTO takvifte DTV har livstidssmurte, lukkede spesialkulelagre og er vedlikeholdsfri. Eventuell utskifting av lagre bør bare utføres av EXHAUSTO SERVICE.

### 3.1 Rengjøring

Rengjøring av vifte og kanalsystem foretas etter behov, avhengig av tilsmussing, på følgende måte:



Trinn	Handling
1	Slå av viften på skillebryteren.
2	Skru ut skruene på forsiden av viften og sving opp toppdelen med håndtaket. Sikringsbeslaget vil da sørge for at toppdelen holdes åpen under rensingen.
3	Børst rent sentrifugalhjulet. Vask eventuelt hjulet med såpevann. Det må utvises stor forsiktighet, slik at det ikke kommer vann i kanalsystemet og opp i motoren.
4	Takgjennomføring og kanalsystem: Demonter sentrifugalinnsatsen (e) og eventuelt overtrykksspjeldet AOR. Deretter kan takgjennomføringen og ev. kanalsystemet rengjøres ned gjennom vifteåpningen. Merk: En eventuell rensing av kanalsystemet skal være nøye gjennomtenkt, slik at unødige problemer med sjenerende støv og smuss unngås i viftens betjeningsområde.

## 3.2 Miljødeklarasjon

### Produkt- beskrivelse

EXHAUSTO DTV er en radialvifte med bakoverbøyde skovler som det er lett å foreta service på. Viftehjulet er montert direkte på motorakselen. Det gir redusert tap og færre slitasjedeler og dermed også færre reparasjonskostnader.

Service og rengjøring foretas ved å åpne den hengslede overdelen. Det gir adgang til alle deler som er i kontakt med luften.

Motoren og eventuell motorstyring er montert utenfor luftstrømmen. Viften er CE-godkjent og EMC-testet i henhold til gjeldende direktiver.

### Inngående materialer

Viftehuset og viftehjul er laget av trykkstøpt aluminium som kan gjenvinnes. Viftehusets synlige deler er lakkert med vannbasert maling.

Motoren består av aluminium, stål og kobber pluss eventuelt en kjølekappe i plast. Emballasjen består av bølgepapp.

### Materialoversikt

	DTV160	DTV200	DTV250	DTV315	DTV400	DTV450
Aluminium	75%	79%	72%	76%	75%	72%
Fe	17%	15%	16%	15%	19%	22%
Kobber	4%	3%	2%	1%	2%	2%
Printkort; elektroniske komponenter	1%	1%	7%	5%	2%	2%
Plast, cellegummi	1%	1%	1%	1%	1%	1%
Øvrig	2%	1%	2%	2%	1%	1%





## 1. SE - Produktinformation

EXHAUSTO takfläkt DTV används för transport av luft i en till- och frånluftsanordning.



Fläktarna får inte användas för transport av fasta partiklar eller om det finns risk för explosiva gaser.



Fläktarna får inte startas med öppen Överdel.

### 1.1 Konstruktion

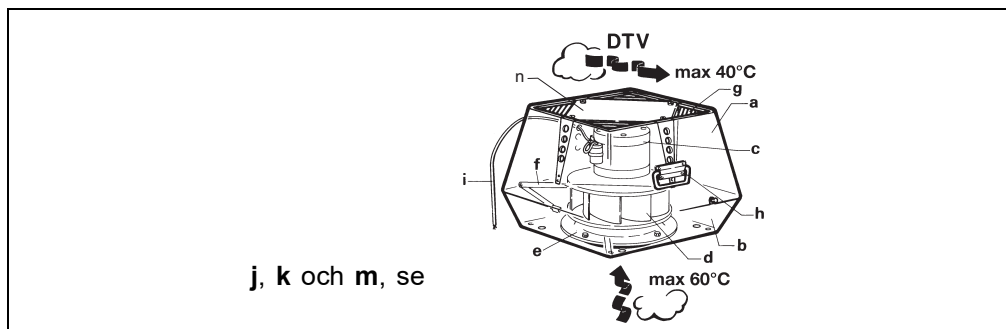
#### Beskrivning

EXHAUSTO takfläktar DTV har vertikal avluft och kan erhållas med följande 1-fasmotorer (EC är beteckningen för motorer med inbyggd EC-styrning):

- DTV160-4-1
- DTV200-4-1
- DTV250-4-1EC
- DTV315-4-1EC
- DTV400-4-1EC
- DTV450-4-1EC

Takfläkten är av korrosionsbeständig aluminium. Ett nät av rostfritt stål finns som skydd för fingrar och fåglar.

#### Huvudkomponenter



Pos.	Del
a	Överdel
b	Underdel
c	Motor
d	Centrifugalhjul
e	Centrifugalinsats
f	Säkringsbeslag
g	Nät
h	Handtag
i	Anslutningskabel
j	Gummiring. För tätning mellan fläkt och takgenomföring/fotstöd.
k	Vibrationsdämpare. Säkerställer vibrationsfri drift.
m	Säkerhetsskruvar (gula)
n	Överdel

#### Storlek och vikt

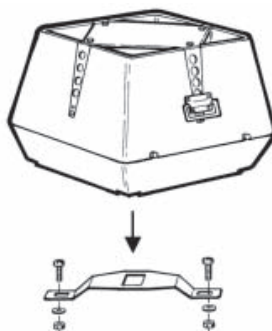
DTV	160	200	250	315	400	450
Vikt – kg	11	17	28	37	52	60



## 2. SE - Montering

### 2.1 Transportsäkring DTV315, DTV400 och DTV450

Före montering



DTV315 - DTV450

RD113828-01

Ta bort transportsäkringen vid centrifugalhjulet (kan göras utan att öppna fläkten) och kontrollera att hjulet kan rotera fritt.

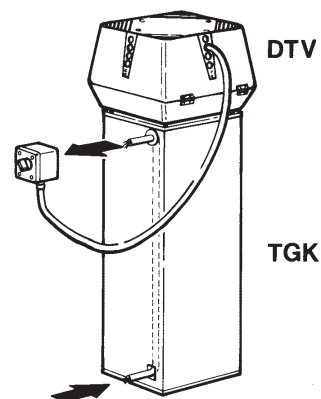
### 2.2 Takgenomföring TGK

#### Beskrivning

EXHAUSTOs standardtakgenomföring TGK är uppbyggd med ett galvaniserat plåthölje, 50 mm minerallull för isolering/ljuddämpning, glasfiberväv och invändigt en galvaniserad perforerad plåt.

Takgenomföringen är försedd med en invändig kabelkanal, i vilken installationskabeln till huvudströmbrytaren dras.

Takgenomföringen levereras med övertrycksspjäll AOR.



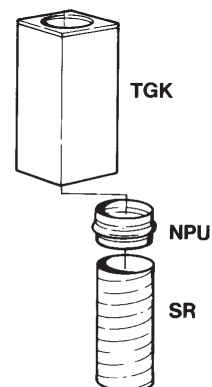
RD12887-01

#### Montering av huvudströmbrytare

Montera huvudströmbrytaren (ingår ej i leveransen från EXHAUSTO) på takgenomföringen TGK direkt mot packningen. Fläktens anslutningskabel förs in i huvudströmbrytaren underifrån, genom kabelfästet.


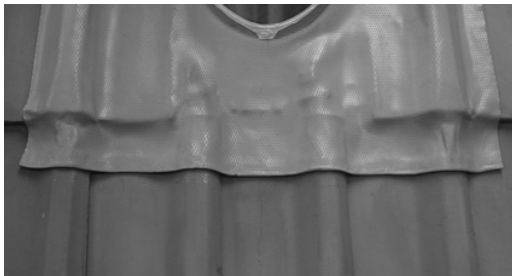
#### Kanalsystem och frånluftsarmatur

Takgenomföringen kan i botten anslutas till varje kanalsystem med standardmått enligt EUROVENT (mått på skruvförband).



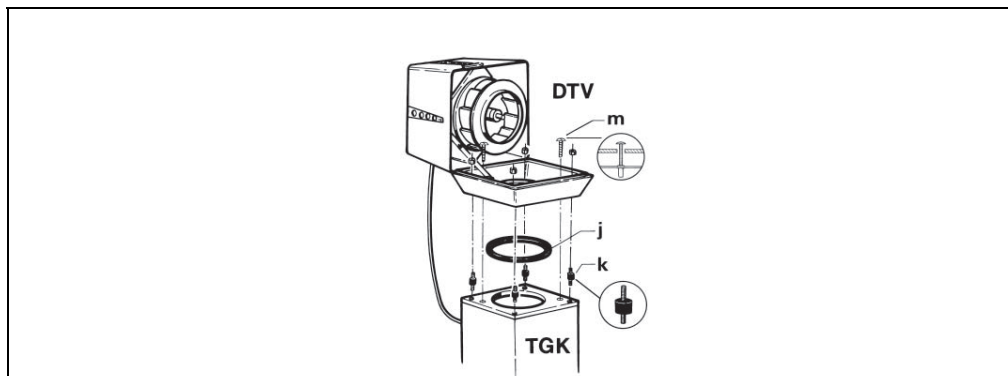
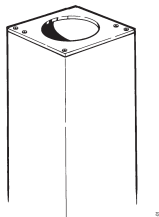
RD12889-02

## Montering av takgenomföringen TGK

Steg	Åtgärd	
		
1	Man borrar ett hål i taket, med cirka 30 mm större diameter än takgenomföringen.	
2	Den ovanförliggande takpannan lossas och skjuts uppåt beroende på anslutningsplåten.	
		
	<b>PERFORM- eller blytäckning</b>	<b>Zinkinfattning</b>
OBS! - gäller endast PERFORM	Infattningens kant (nederst samt eventuellt även de synliga delarna av sidorna) kan med fördel vikas runt. Man får då större styrka, samt bättre formstabilitet och vackrare utseende (se foton).	
3	Takgenomföringen placeras försiktigt på plats, så att infattningen ligger plant och jämsns med takplattornas överkant.	Takgenomföringen placeras försiktigt på plats, så att infattningen ligger plant och jämsns med takplattornas överkant.
4	Fästjärnen fästs vid takgenomföringen, så att takgenomföringen lyfts cirka 5 mm när fästjärnen sedan fästs i taksparrarna. Därmed säkerställs att hela vikten ligger på fästjärnen.	Fästjärnen fästs vid takgenomföringen, så att takgenomföringen lyfts cirka 1 mm när fästjärnen sedan fästs i taksparrarna. Därmed säkerställs att hela vikten ligger på fästjärnen.
5	Infattningsmaterialet rullas ut och hamras försiktigt till korrekt form med gummihammare eller sandpåse.	
6	Vid avvattning från koppar eller bitumen (takpapp) till PERFORM ska PERFORM-ytan påföras FlashSeal. Om anvisningarna inte följs faller garantin bort!	
7	Ovanförliggande takplatta/tegelplattan läggs på plats över infattningen.	

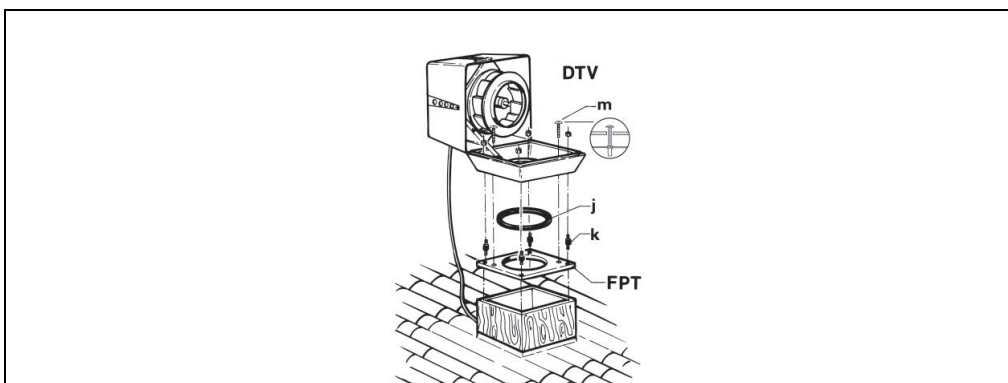
## 2.3 Montering på takgenomföring TGK

Fläkten kan monteras direkt på EXHAUSTO standardtakgenomföring TGK.



Steg	Åtgärd
1	Spänn fast de fyra medlevererade vibrationsdämparna (k) i takgenomföringens gängade hål.
2	Lägg gummiringen (j) utvändigt runt kanten på centrifugalinsatsen.
3	Spänn fast takfläkten på vibrationsdämparna med muttrarna.
4	Dra fast de två gula säkerhetsskruvarna (m) i takgenomföringen genom hålen i bottenplattan. Skruvarna gör att DTV-enheten i alla situationer hålls fast på takgenomföringen.

## 2.4 Montering på taksockel via fotstöd FPT



Steg	Åtgärd
1	Fäst fotstödet på taksockeln.
2	Försegla skarven mellan fotstöd och taksockel med fogmassa.
3	Spänn fast de fyra medlevererade vibrationsdämparna (k) i fotstödet gängade hål.
4	Lägg gummiringen (j) utvändigt runt kanten på centrifugalinsatsen.
5	Spänn fast takfläkten på vibrationsdämparna med muttrarna.
6	Dra fast de två gula säkerhetsskruvarna (m) i fotstödet genom hålen i bottenplattan. Skruvarna gör att DTV-enheten i alla situationer hålls fast på fotstödet.

**Obs!**

Vid fuktig frånluft kan det förekomma kondensvatten, och taksockeln ska därför alltid isoleras.



### 3. SE - Elanslutning

Allmänt



**Elinstallationen ska göras av en auktoriserad elmontör.**

Specifikationer för fläkten och motorn framgår av typskylten.

Max. säkring = 13 A.

Om säkringen är en	... ska den ha karakteristiken
smältsäkring	gG eller gM.
automatsäkring	B eller C och uppfylla SS-EN 90947-2.

Max kortslutningsström är 10 kA

Vid uppstart och reglering av ventilationsanläggningen är det viktigt att kontrollera motorns cirkulationsriktning och att strömförbrukningen ej överstiger märkströmmen på typskylten eftersom det medför att motorn överbelastas.

Huvudströmbrytare



**EXHAUSTO A/S ber dig observera att i enlighet med Maskindirektivet (bilaga 1) skall en huvudströmbrytare installeras vid fast montering av fläkten.**

Huvudströmbrytaren skall ...

- vara låsbar eller placeras synlig i närheten av fläkten.
- kunna bryta alla polerna för matningsspänningen
  - kontaktavstånd minst 3 mm för varje pol.
- utföras som huvudströmbrytare enligt IEC 60947-1 eller IEC 60947-3

**Huvudströmbrytaren ingår inte i leveransen från EXHAUSTO.**

Åskledare...

... ska monteras enligt gällande lagar och bestämmelser.

## 3.1 Fläktar utan EC-styrning

### 3.1.1 DTV160-4-1, DTV200-4-1

Elanslutning

Elanslutning - kabel från motor	
1-fasmotor med inbyggd termosäkring DTV160-4-1, DTV200-4-1	Brun = L Blå = Nreg Gul/Grön = ⊕


Alla 1-fas fläktar är spänningsreglerbara.

Motorn är utrustad med termosäkring. Termosäkringen är seriekopplad med motorns strömkrets från fabriken.

### 3.2 Fläktar med EC-styrning

**Allmänt** Alla fläktar med typbeteckningen "EC" är reglerbara genom den inbyggda EC-styrning.

**Kablar** De ledningar som ska anslutas till ingångarna för styrsignaler ska i hela sin längd ha förstärkt isolering i förhållande till matningsledningarna.

**ESD**  **Elektrikern ska vara skyddad mot elektriska urladdningar (ESD-skyddad)**

- när locket tas bort från EC-styrningen
- under arbete med EC-styrningen

#### 3.2.1 DTV250-4-1EC, DTV315-4-1EC

**Kabeltyp** Kablar för styrsignaler skall vara med parade ledere. Kabeltypen ska minst vara en CAT5e Ethernet kabel.

#### Schema

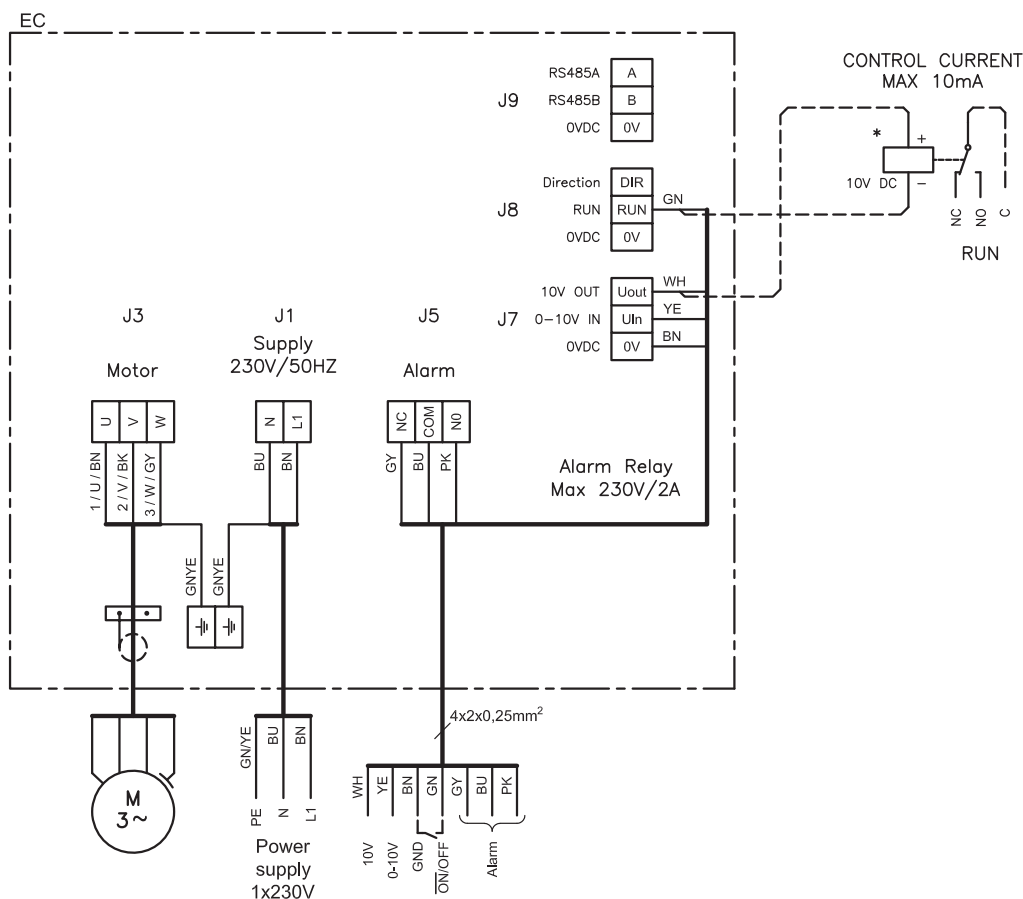


Fig. 9

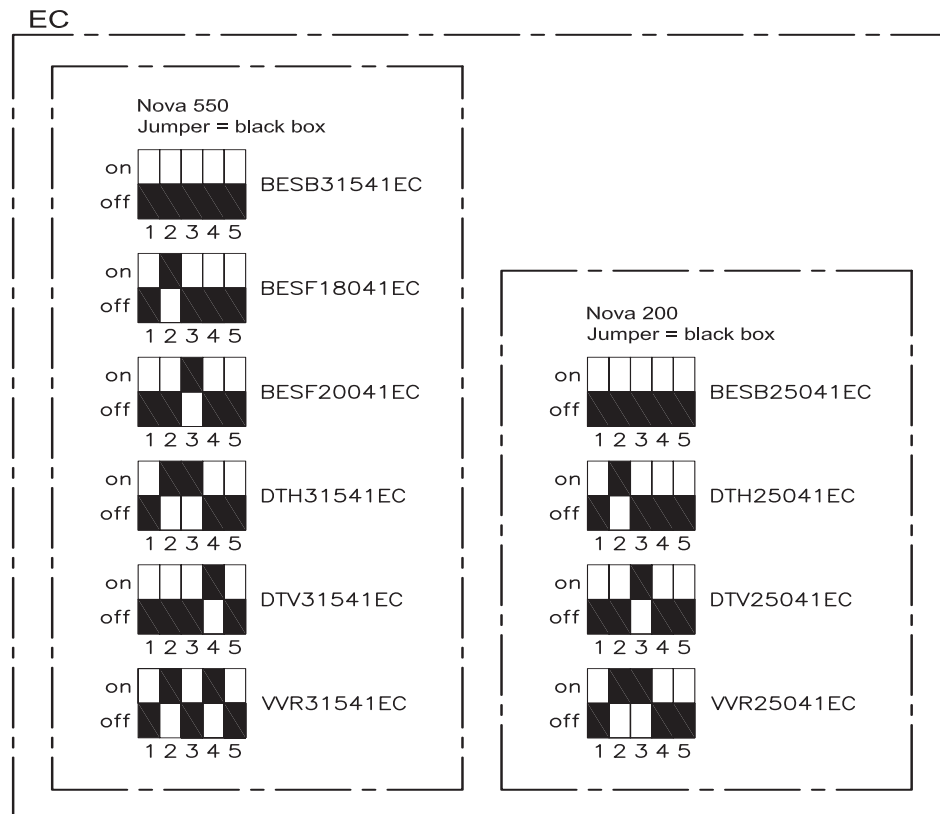
\*ingår ej i leveransen från EXHAUSTO.

RD14164-01

### Förklaring till diagram

Terminal	Klämma	Signalbeskrivning
J9	A	RS485 + (A)
	B	RS485 - (B)
	0V	0 V DC (chassi)
J8	DIR	Rotationsriktning
	RUN	Start/stopp
	0V	0 V DC (chassi)
J7	U out	10V DC
	U in	0-10V DC
	0V	0 V DC (chassi)
J5	NC	Alarm NC
	COM	Alarm C
	NO	Alarm NO

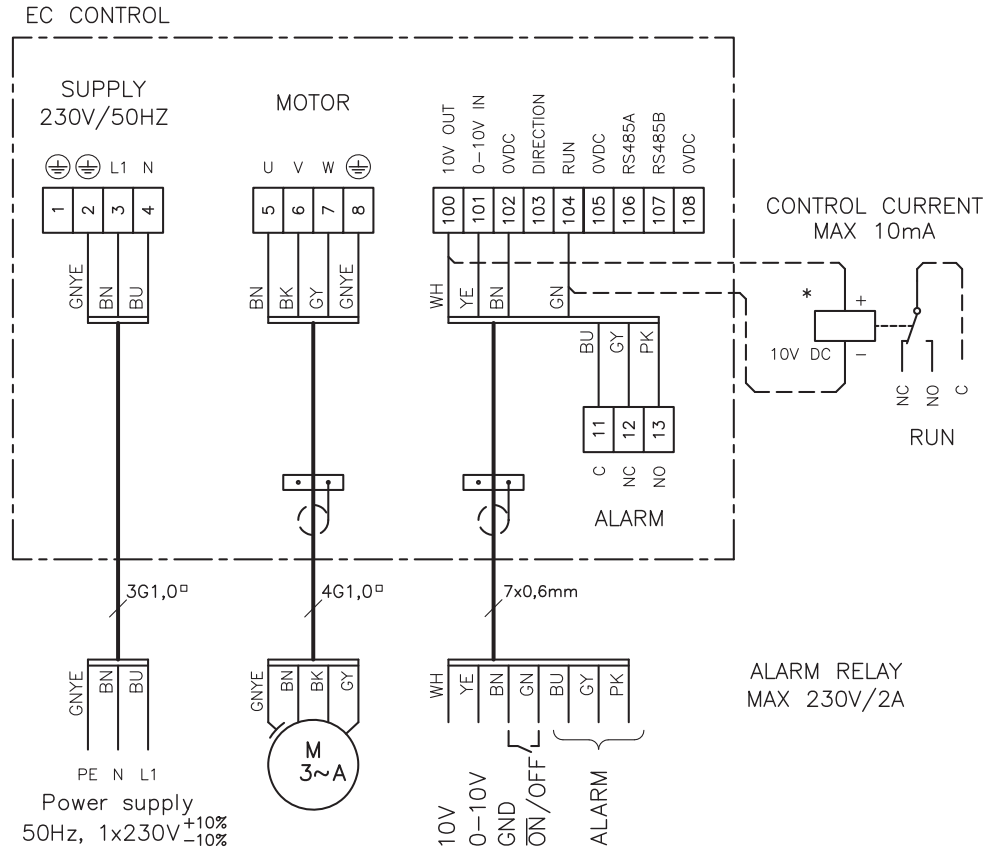
### Placering af dipswiche



### 3.2.2 DTV400-4-1EC, DTV450-4-1EC

**Kabeltyp** Kablar för styresignaler ska vara skärmade.

**Diagram**



\*ingår ej i leveransen från EXHAUSTO.

RD13306-06



**Förklaring till diagram**

Klämma	Signalbeskrivning
100	10 V DC
101	0-10 V DC
102	0 V DC (chassi)
103	Rotationsriktning
104	Start/stopp
105	0 V DC (chassi)
106	RS485 + (A)
107	RS485 - (B)
108	0 V DC (chassi)
11	Larm C
12	Larm NO
13	Larm NC

**Läckström**

EC-styrningen ger under drift en läckström som är mindre än 3,5 mA. Läckströmmen ska ledas till jord eftersom det annars finns risk för att motorn blir spänningsförande.

**Jordfelsbrytare**

**Om man monterar jordfelsbrytare i installationen, skall dessa vara av en typ som uppfyller följande krav:**

- Jordfelsbrytare av typ A enligt EN 61008, som bryter när den registrerar en felström med likströmskomponent (pulserande likström).
- Jordfelsbrytarna ska vara märkta med följande symbol:

**Krav**

**Frånkopplingstid på max. 0,3 sekunder**

**Dimensionering av nolledare**

Vid installation av flera 1-fas DTV med EC i samma nät med gemensam nolledning ställs speciella krav på dimensioneringen av nolledaren, eftersom den upptagna strömmen inte är sinusformad.

**Exempel**

Om t.ex. 3 EC-motorer installeras fördelade på 3 faser är nollströmmen lika med summan av de tre motorernas ström.

**Befintlig installation**

Om motorerna ansluts till en befintlig installation måste du kontrollera om nolledaren klarar belastningen.

### 3.2.1 Felsökning för 1-fas EC-styrningar



Arbetet ska utföras av en auktoriserad elinstallatör.

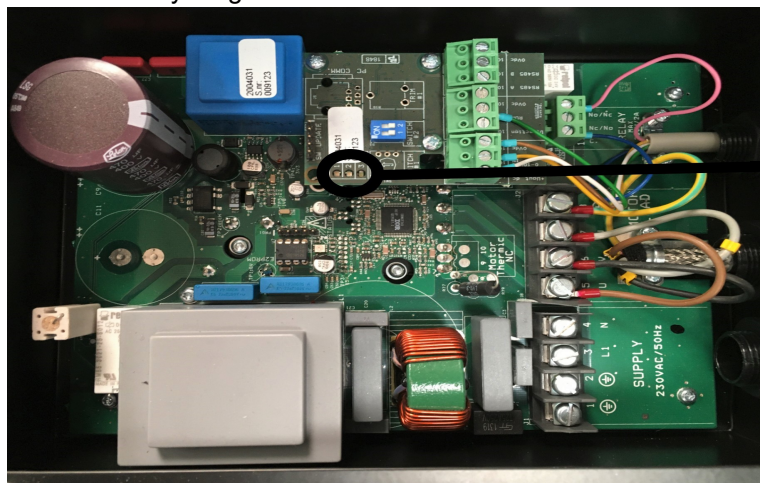
#### Öppnande av EC-styrningen

Steg	Åtgärd
1	Demontera överdelen (n) på DTV-enheten.
2	Lossa och ta bort de två skruvarna på vardera sidan av EC-boxen.
3	Lyft upp boxen - sedan kan boxens lock demonteras.

#### 1-faset NOVA EC-styrningar



#### 1-faset EC -styrningar



#### Dioder

- Diod 1: Röd
- Diod 2: Gul
- Diod 3: Grön

**Felsökningschema**

- Grön diod tänd: Inget fel
- Röd diod tänd: Det är något som är fel, larm relä drar
- Gul diod: Blinkar för feltypen

Felkod	Grön	Röd	Gul	Fel	Relä
Ingen	+	-	-		
1			Reserverad		
2	-	+	2 gånger/paus 4 sekunder	Underspänning 170 v	+
3	-	+	3 gånger/paus 4 sekunder	Överspänning 255 v	+
4	+	-	4 gånger/paus 4 sekunder	Överström: Reducerat varvtal	-
5			Reserverad		
6	+	-	6 gånger/paus 4 sekunder	Överhettning: Reducerat varvtal	-
7	-	+	7 gånger/paus 4 sekunder	Överhettning: Stopp	+
8	-	+	8 gånger/paus 4 sekunder	Maskinvarufel	+
9	-	+	9 gånger/paus 4 sekunder	MCE-fel	+
10	-	+	10 gånger/paus 4 sekunder	Motor blockerad	+
11	-	+	11 gånger/paus 4 sekunder	Motorfas saknas	+
12			Reserverad		
13	-	+	Reserverad		
14			Reserverad		
15			Reserverad		
16	-	+	16 gånger/paus 4 sekunder	Kommunikationsfel	+

**Obs!**

När felet är avhjälpt kan indikatorn (blinkande diod) på EC-styrningen stängas av genom att matningsspänningen till lysdioden temporärt bryts.

EXHAUSTO lämnar 2 års fabriksgaranti på fläktarna.

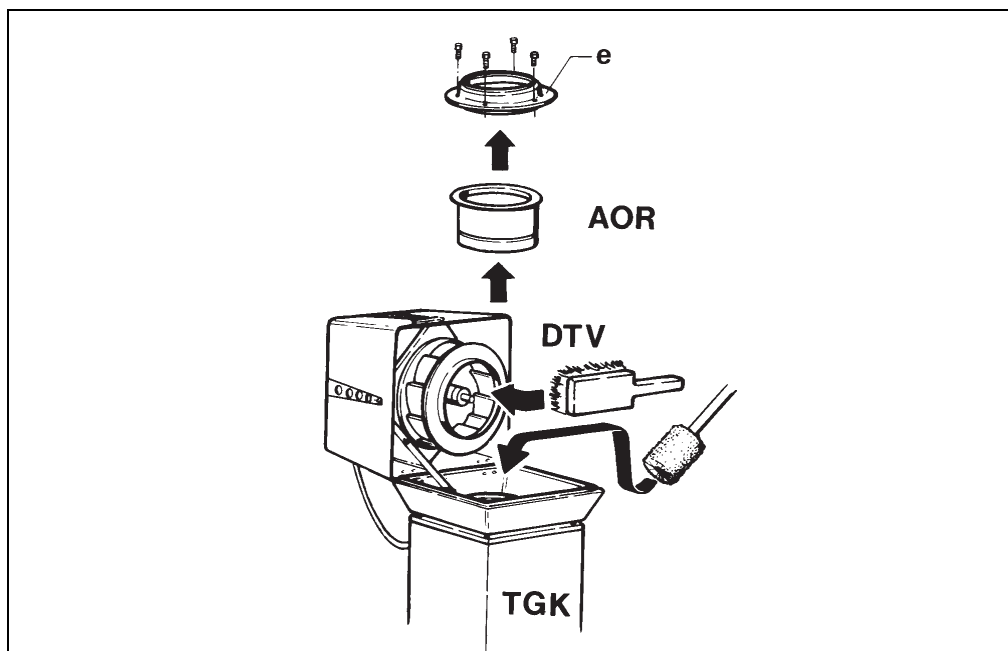


## 4. SE - Service och rengöring

Motorn i EXHAUSTO takfläktar DTV har engångsmorda, kapslade specialkullager och är underhållsfri. Eventuellt byte av lager bör endast utföras av EXHAUSTO SERVICE.

### 3.1 Rengöring

Rengöring av fläktar och kanalsystem sker vid behov, med hänsyn till nedsmutsningen, på följande sätt:



Steg	Åtgärd
1	Fläkten stängs av med huvudströmbrytaren.
2	Skruvorna på framsidan av fläkten lossas, och överdelen viks upp med hjälp av handtaget. Säkringsfästet ser till att överdelen förbli öppen under hela rengöringen.
3	Borsta rent centrifugalhjulet. Tvätta eventuellt hjulet med såpvatten. Man måste vara mycket försiktig för att inte vatten ska komma in i kanalsystemet och vidare upp i motorn.
4	Takgenomföringen och kanalsystemet: Demontera centrifugalinsatsen (e) och eventuellt övertrycksspjäll AOR. Sedan kan takgenomföringen och eventuellt kanalsystem rengöras ner genom den öppnade fläkten. Obs! Eventuell rengöring av kanalsystemet ska vara väl planerad för att undvika problem med damm och smuts i det område fläkten betjänar.

## 3.2 Miljödeklaration

### Produkt- beskrivning

EXHAUSTO DTV är en radialfläkt som är lätt att serva med bakåtriktade rotorblad. Fläkthjulet är monterat direkt på motoraxeln, vilket minskar förluster och innebär färre slitagedelar och därmed lägre reparationskostnader. Service och rengöring sker genom att öppna den gångjärnsförsedda överdelen. Därmed erhålls åtkomst till alla delar som är i kontakt med luften. Motorn och eventuell motorstyrning är monterade utanför luftströmmen. Fläkten är CE-godkänd och EMC-testad i enlighet med gällande direktiv.

### Konstruktions- material

Fläkthus samt fläkthjul är tillverkade av pressgjuten aluminium som kan återvinnas. Fläkthusets synliga delar är lackerade med vattenbaserad färg. Motorn består av aluminium, stål och koppar och eventuellt en kylmantel av plast. Emballaget består av wellpapp.

### Materialöversikt

	DTV160	DTV200	DTV250	DTV315	DTV400	DTV450
Aluminium	75%	79%	72%	76%	75%	72%
Järn	17%	15%	16%	15%	19%	22%
Koppar	4%	3%	2%	1%	2%	2%
Kretskort: elektronik- komponenter	1%	1%	7%	5%	2%	2%
Plast, cellgummi	1%	1%	1%	1%	1%	1%
Annet	2%	1%	2%	2%	1%	1%



## 1.FI – Tuotetietoja

EXHAUSTOn DTV-huippuimurin avulla siirretään ilmaa tuloilma- ja imulaitteisiin.



**Huippuimuria ei saa käyttää kiinteiden hiukkasten kuljettamiseen tai tiloissa, joissa saattaa esiintyä räjähtäviä kaasuja.**



**Huippuimuri ei saa käynnistyä, jos yläosa on auki.**

### 1.1 Rakenne

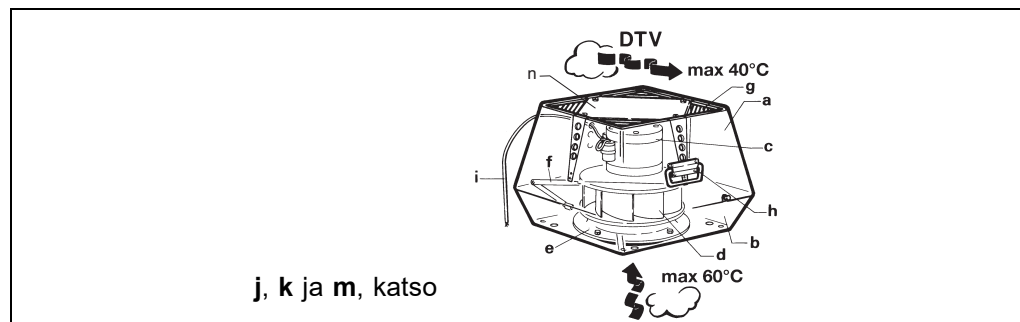
#### Kuvaus

EXHAUSTOn DTV-huippuimurissa on pystysuora poisto, ja sitä on saatavana seuraavilla 1-vaihemootoreilla varustettuna (EC viittaa EC-mootoreihin, joissa on sisäinen EC-ohjaus):

- DTV160-4-1
- DTV200-4-1
- DTV250-4-1EC
- DTV315-4-1EC
- DTV400-4-1EC
- DTV450-4-1EC

Huippuimuri on korroosiosuojattua alumiinia. Sormi- ja lintusuojaksi on asennettu ruostumaton verkko.

#### Pääosat



j, k ja m, katso

Kohta	Osa
a	Yläosa
b	Pohjaosa
c	Moottori
d	Keskipakoispuhallin
e	Keskipakoisosa
f	Suodatinkiinnike
g	Verkko
h	Kahva
i	Liitäntäjohto
j	Kumirengas. Tiivistää puhaltimen ja kattoläpiviennin/jalkalevyn välisen tilan.
k	Tärinänvaimennin. Varmistaa tärinättömän käytön.
m	Varmistusruuvit (keltaiset)
n	Yläsuojus

#### Mitat ja paino

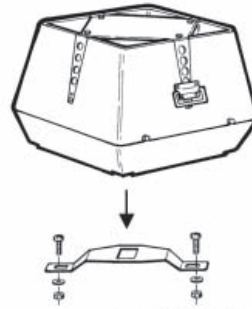
DTV	160	200	250	315	400	450
Paino – kg	11	17	28	37	52	60



## 2. Asennus

### 2.1 Kuljetuskiinnike DTV315, DTV400 ja DTV450

Ennen asennusta



DTV315 - DTV450

RD13026-01

Poista keskipakoispuhaltimen kuljetuskiinnike (voidaan tehdä avaamatta puhallinta) ja tarkista, että pyörä pääsee pyörimään esteettömästi ympäri.

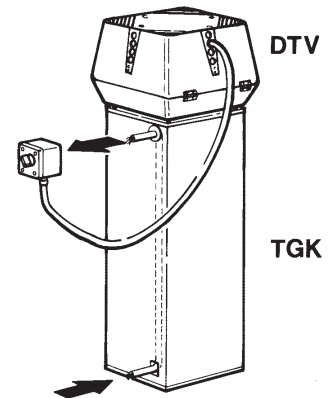
### 2.2 Kattoläpivienti TGK

**Kuvaus**

EXHAUSTOn vakiomallinen TGK-kattoläpivienti koostuu galvanoidusta peltivaipasta, 50 mm paksusta erityis-/äänenvaimennusvillasta, lasikuidusta ja sisäpuolisesta galvanoidusta reikälevystä.

Kattoläpiviennissä on sisäpuolinen johtokanava, jonka läpi huoltokatkaisijan asennusjohto vedetään.

Kattoläpiviennin mukana toimitetaan ylipainepelti AOR.



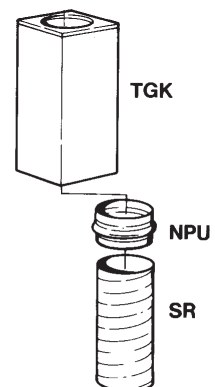
RD12887-01

**Asenna huoltokatkaisija**

Asenna huoltokatkaisija (ei sisälly EXHAUSTO-toimitukseen) kattoläpivientiin TGK suoraan tiivistettä vasten. Vie puhaltimen liitäntäjohto huoltokatkaisijaan alakautta kaapeliläpiviennin läpi.

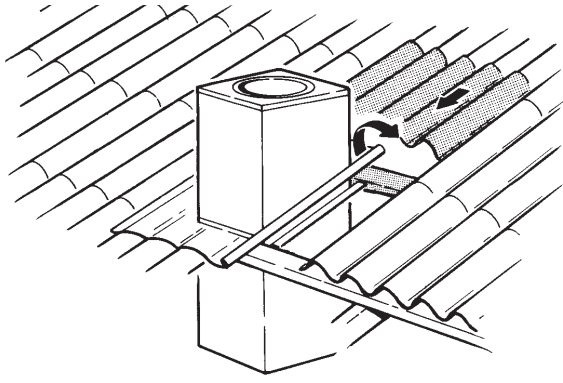

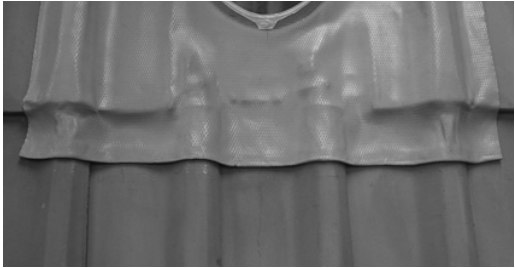
**Kanavajärjestelmä ja poistoilmalaitteisto**

Kattoläpivienti voidaan liittää pohjassa kuhunkin EUROVENTin mukaiseen vakiomittaiseen kanavajärjestelmään (nippamitta).



RD12889-02

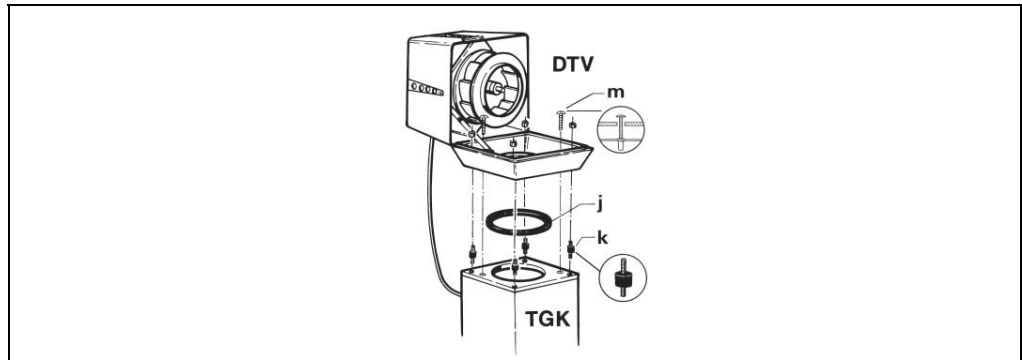
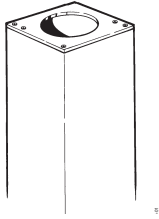
## Kattoläpiviennin TGK asennus

Vaihe	Toimenpide	
		
1	Tee kattoon reikä, joka on n. 30 mm suurempi kuin kattoläpivienti.	
2	Irrota päällä oleva kattotiili/-laatta ja siirrä ylöspäin suojalevyä kohti.	
		
	<b>PERFORM-suojalevy</b>	<b>Sinkkisuojalevy</b>
HUOMAUTUS – koskee vain PERFORMia	Suojalevyn reunaan (alhaalla sekä mahdollisesti sivujen näkyvässä osassa) voidaan taivuttaa. Näin saavutetaan parempi kestävyys (parempi muodonpitävyys ja siistimpi lopputulos, katso oheisia valokuvia).	
3	Aseta kattoläpivienti varovasti kattoon siten, että suojalevy on tasaisena kattolevyjen päällä.	Aseta kattoläpivienti varovasti kattoon siten, että suojalevy on tasaisena kattomateriaalia vasten.
4	Kiinnitä kannatinraudat kattoläpivientiin siten, että se nousee n. 5 mm, kun kannatinraudat tämän jälkeen kiinnitetään kattoparruihin. Näin varmistetaan, että koko paino on kannatinraudoilla.	Kiinnitä kannatinraudat kattoläpivientiin siten, että se nousee n. 1 mm, kun kannatinraudat tämän jälkeen kiinnitetään kattoparruihin. Näin varmistetaan, että koko paino on kannatinraudoilla.
5	Rullaa suojalevymateriaali auki ja lyö se varovasti muotoonsa kumivasaralla tai hiekkasäkällä.	
6	PERFORMin pintaan on levitettävä FlashSeal, jos kuparista tai bitumista (kattopahvi) siirtyy vettä PERFORMiin. Takuu raukeaa, jos ohjeita ei noudateta.	
7	Asettele kattotiilet/-levyt paikalleen suojalevyn päälle.	



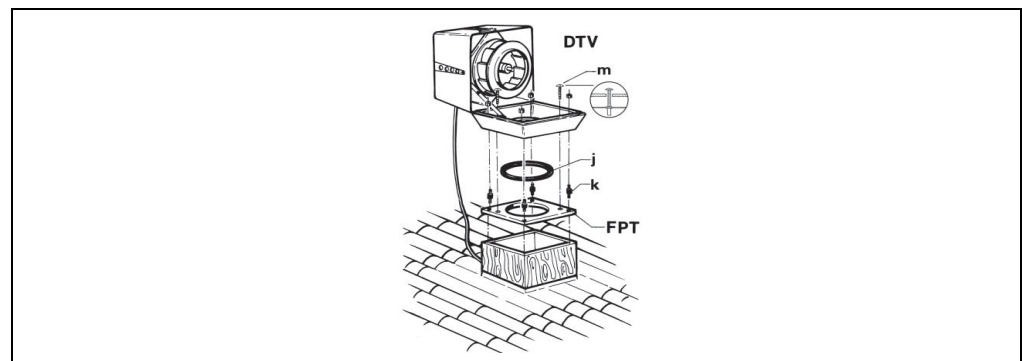
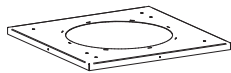
## 2.3 Asennus kattoläpivientiin TGK

Puhallin voidaan asentaa suoraan EXHAUSTOn vakiomalliseen kattoläpivientiin TGK.



Vaihe	Toimenpide
1	Kiinnitä neljä mukanatoimitettua tärinävaimenninta (k) kattoläpiviennin kierteittyihin reikiin.
2	Aseta kumirengas (j) keskipakoisosan reunan ulkopuolelle.
3	Kiinnitä kattopuhallin tärinävaimentimiin muttereilla.
4	Kiinnitä kaksi keltaista varmistusruvia (m) kattoläpivientiin pohjaosan reikien läpi. Ruuvit varmistavat, että DTV pysyy kattoläpiviennissä kiinni kaikissa tilanteissa.

## 2.4 Asennus kattosokkeliin jalkalevyn FPT kautta



Vaihe	Toimenpide
1	Kiinnitä jalkalevy kattosokkeliin.
2	Tiivistä jalkalevyn ja kattosokkelin välinen liitos saumausmassalla.
3	Kiinnitä neljä mukanatoimitettua tärinävaimenninta (k) jalkalevyn kierteittyihin reikiin.
4	Aseta kumirengas (j) keskipakoisosan reunan ulkopuolelle.
5	Kiinnitä kattopuhallin tärinävaimentimiin muttereilla.
6	Kiinnitä kaksi keltaista varmistusruvia (m) jalkalevyn pohjaosan reikien läpi. Ruuvit varmistavat, että DTV pysyy jalkalevyssä kiinni kaikissa tilanteissa.

**Huom!**

Poistoilman ollessa kostea voi muodostua kondenssivettä, ja siksi kattosokkeli on aina eristettävä.



### 3. Sähköliitäntä

#### Yleistä



Sähköasennuksen saa suorittaa vain pätevä sähköasentaja.

Puhaltimen ja moottorin tiedot ilmenevät asennetuista tyyppikilvistä.

Maksimivaroke = 13 A.

Jos sulake on	...sen tyyppin tulee olla
tavallinen sulake	gG tai gM.
automaattivaroke	B tai C, ja sen tulee täyttää IEC 90947-2 -vaatimukset

Suurin oikosulkuvirta on 10 kA

Puhallinlaitetta käynnistettäessä ja säädettäessä on tärkeää varmistaa moottorin kiertosuunta. Virrankulutus ei saa nousta tyyppikilvessä mainittua arvoa suuremmaksi, sillä muuten moottori ylikuormittuu.

#### Huoltokatkaisija



**EXHAUSTO A/S huomauttaa, että kiinteästi asennettavaan puhaltimeen on EU:n direktiivin mukaan asennettava huoltokatkaisija.**

Huoltokatkaisijan on...

- on oltava lukittavissa, tai se on asennettava näkyvälle paikalle puhaltimen lähelle
- on voitava katkaista kaikki syöttöjännitteen navat
  - kosketinetaisyys on oltava väh. 3 mm jokaisessa navassa
- on noudatettava asetusta IEC 60947-1- tai IEC 60947-5 -vaatimukset.

**Huoltokatkaisija ei sisälly EXHAUSTO-toimitukseen.**

**Ukkosenjohdatus...** ...on varmistettava voimassa olevien lakien ja säännösten mukaan.

## 3.1 Puhaltimet ilman EC-ohjausta

### 3.1.1 DTV160-4-1, DTV200-4-1

#### Sähköliitäntä

Sähköliitäntä – johto moottorista	
1-vaihemoottori, jossa sisäänrakennettu lämpösulake DTV160-4-1, DTV200-4-1	Ruskea = L Sininen = Nreg. Keltainen/vihreä = ⊕

Kaikkien 1-vaihepuhaltimien jännitettä voi säätää.

Moottorissa on lämpösulake. Lämpösulake on tehtaalla kytketty sarjaan moottorin virtapiiriin kanssa.

## 3.2 EC-ohjauksella varustetut puhaltimet

**Yleistä** Kaikkia puhaltimia, joissa on tyyppimerkintä EC, voidaan säätää sisäänrakennetulla EC-ohjauksella.

**Johdot** Johdoissa, jotka liitetään ohjaussignaalin tuloihin, on oltava koko pituudeltaan vahvistettu eristys sähköverkon osalta.

**ESD**



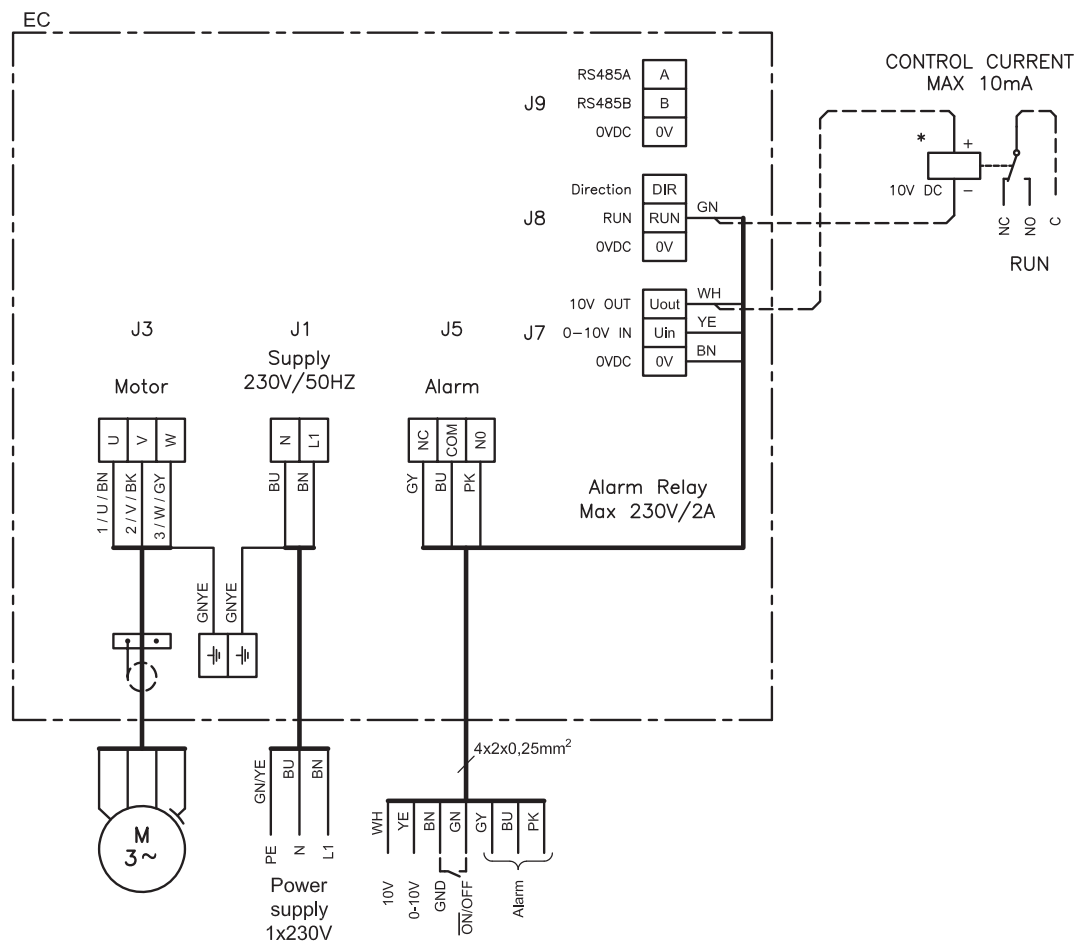
Sähköasentajalla on oltava ESD-suojaus,

- kun EC-ohjauksen kansi irrotetaan
- huollettaessa EC-ohjausta

### 3.2.1 DTV250-4-1EC, DTV315-4-1EC

**Kaapeilityyppi** Ohjaussignaalien kaapelein on oltava parikaapeleita. Kaapeityypin on oltava vähintään CAT5e Ethernet-kaapeli.

**Kaavio**



\*ei sisälly EXHAUSTO-laitteen toimitukseen.

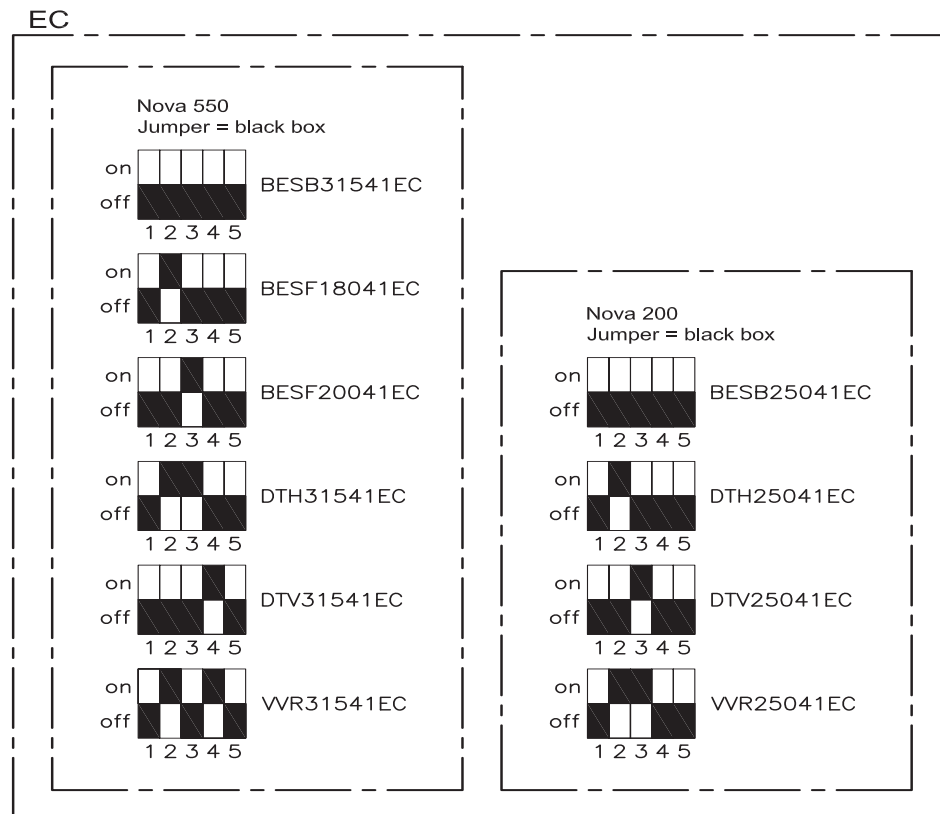
Fig. 11

RD14164-01

## Kaavion selitykset

Terminaali	Liitäntä	Signaalin kuvaus
J9	A	RS485 + (A)
	B	RS485 - (B)
	0V	0 V DC (runko)
J8	DIR	Pyörimissuunta
	RUN	Start/stop käynnisty/pysäytys
	0V	0 V DC (runko)
J7	U out /ulos	10V DC
	U in / sisään	0-10V DC
	0V	0 V DC (runko)
J5	NC	Hälytys / Alarm NC
	COM	Hälytys / Alarm C
	NO	Hälytys / Alarm NO

## Dip-kytkimen sijoittaminen

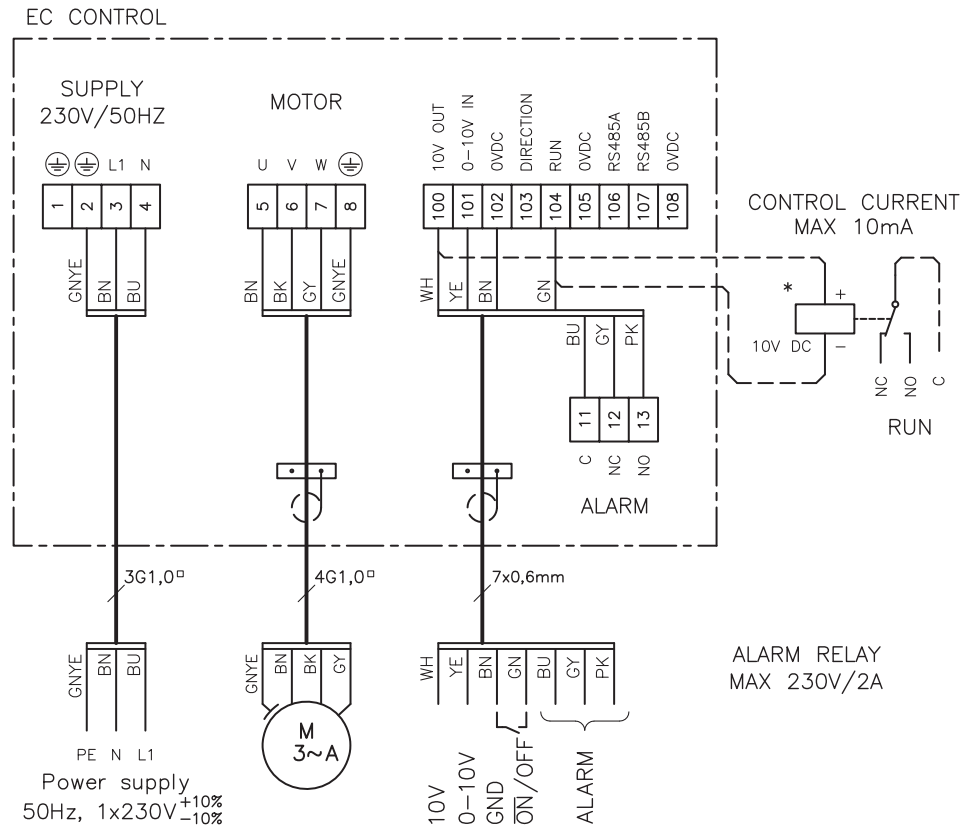


RD14145-01

### 3.2.2 DTV400-4-1EC, DTV450-4-1EC

**Kaapeilityyppi** Ohjaussignaalien kaapeien on oltava suojattuja.

#### Kaavio

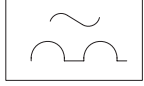


\*ei sisälly EXHAUSTO-laitteen toimitukseen.

#### Kaavion selitykset

Liitäntä	Signaalin kuvaus
100	10 V DC
101	0-10 V DC
102	0 V DC (runko)
103	Pyörimissuunta
104	Käynnistys/pysäytys
105	0 V DC (runko)
106	RS485 + (A)
107	RS485 - (B)
108	0 V DC (runko)
11	Hälytys C
12	Hälytys NO
13	Hälytys NC

R01.3306-06

<b>Vuotovirta</b>	EC-ohjauksen vuotovirta käytön aikana on alle 3,5 mA. Vuotovirta on johdettava maahan, koska vaarana on, että moottorista tulee jännitteinen.
<b>Vikavirtareleet</b>	<p><b><u>Jos koneen yhteyteen asennetaan vikavirtakytkin, sen on täytettävä seuraavat vaatimukset:</u></b></p> <ul style="list-style-type: none"><li>• EN 61008:n mukainen PFI-kytkin tyyppiä A, joka katkaisee virran rekisteröidessään vikavirran tasavirtakomponentissa (sykkivä tasasähkö).</li><li>• Vikavirtakytkimessä on oltava seuraava symboli:</li></ul>
	
<b>Vaadittu</b>	<b>katkaisuaika maks. 0,3 sekuntia</b>
<b>Nollajohtimien mitoitus</b>	Asennettaessa useita 1-vaiheisia EC:llä varustettuja DTV-laitteita verkkoon, jossa on yhteiset nollajohtimet, nollajohtimien mitoitukselle on erityisvaatimukset, kun käytettävä virta ei ole sinimuotoista.
<b>Esimerkki</b>	Jos asennetaan esim. kolme EC-moottoria jaettuna kolmeen vaiheeseen, nollavirta on yhtä kuin kolmen moottorin virran summa.
<b>Nykyinen asennus</b>	Kun moottoreita kytketään nykyiseen asennukseen, on tutkittava, kestävätkö nollajohtimet kuormituksen.

### 3.2.1 1-vaiheisten EC-ohjauksien vianetsintä



Työn saa tehdä vain pätevä sähköasentaja.

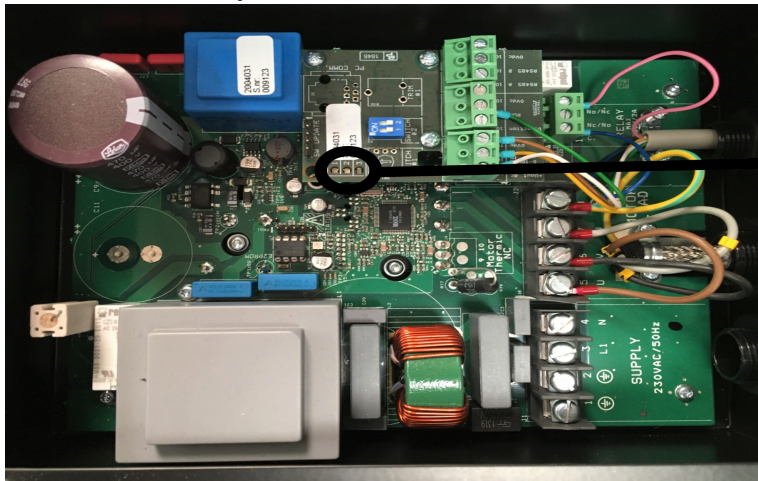
Näin EC-ohjaus  
avataan

Vaihe	Toimenpide
1	Irrota DTV:n yläsuojaus (n).
2	Löysää ja irrota kaksi ruuvia EC-kotelon sivuista.
3	Nosta kotelo ylös, minkä jälkeen voit irrottaa kotelon kannen.

#### 1-vaiheisten NOVA EC-ohjauksien vianetsintä



#### 1-vaiheisten EC -ohjauksien vianetsintä



#### Diodit

- Diodi 1: Punainen
- Diodi 2: Keltainen
- Diodi 3: Vihreä

- Vianmäärittystaulukko**
- Vihreä valo palaa: ei vikaa
  - Punainen valo palaa: vika, hälytysrele kytkeytyy
  - Keltainen diodi: osoittaa vian tyypin vilkkumalla

Vikakoodi	Vihreä	Punainen	Keltainen	Vika	Rele
Ei mitään	+	-	-		
1			Varattu		
2	-	+	2 kertaa/tauko 4 sekuntia	Jännitteinen 170 v	+
3	-	+	3 kertaa/tauko 4 sekuntia	Ylijännite 255 v	+
4	+	-	4 kertaa/tauko 4 sekuntia	Liian suuri virta: Vähennetty kierrosluku	-
5			Varattu		
6	+	-	6 kertaa/tauko 4 sekuntia	Ylikuumentuminen: Vähennetty kierrosluku	-
7	-	+	7 kertaa/tauko 4 sekuntia	Ylikuumentuminen: Pysäytys	+
8	-	+	8 kertaa/tauko 4 sekuntia	Laitevika	+
9	-	+	9 kertaa/tauko 4 sekuntia	MCE-vika	+
10	-	+	10 kertaa/tauko 4 sekuntia	Moottori tukkeutunut	+
11	-	+	11 kertaa/tauko 4 sekuntia	Moottorin vaihe puuttuu	+
12			Varattu		
13	-	+	Varattu		
14			Varattu		
15			Varattu		
16	-	+	16 kertaa/tauko 4 sekuntia	Tietoliikennevirhe	+

**Huomaa**

Kun vika on korjattu, EC-ohjauksen ilmaisua (diodin vilkkumista) voidaan säätää katkaisemalla syöttöjännite tilapäisesti, kunnes diodi sammuu.

EXHAUSTO myöntää puhaltimelle kahden vuoden tehdastakuun.



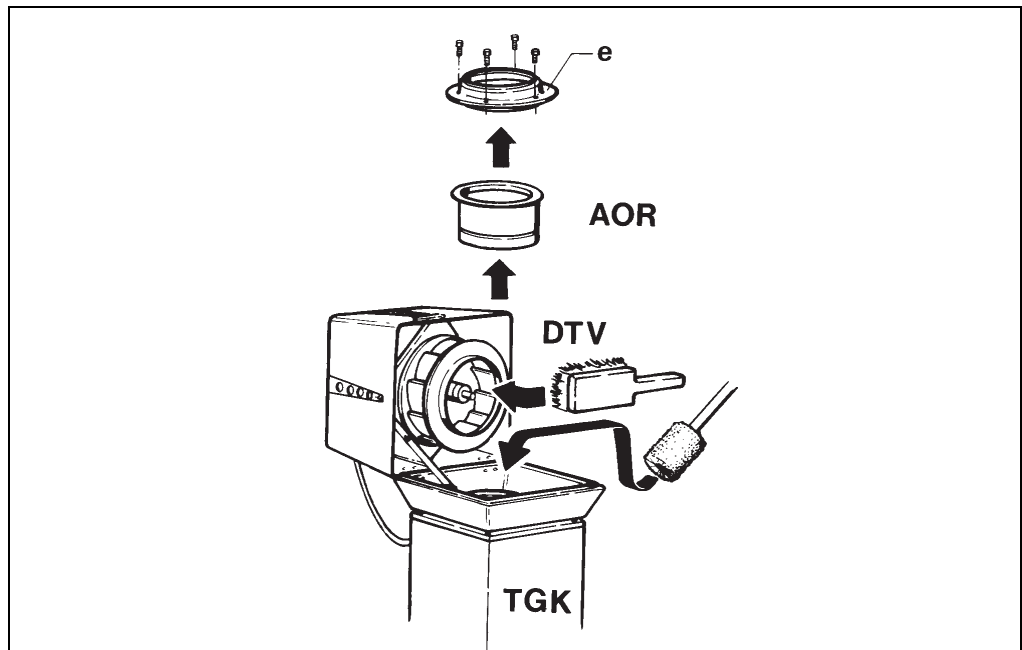


## 4. FI – Huolto ja puhdistus

EXHAUSTO-huippuimurin DTV moottorissa on kertavoidellut suljetut erikoiskuulalaakerit, eikä moottoria tarvitse huoltaa. Laakerit saa vaihtaa vain EXHAUSTO SERVICE.

### 4.1 Puhdistus

Puhallin ja kanavajärjestelmä on puhdistettava tarpeen mukaan likaisuuden perusteella seuraavalla tavalla:



Vaihe	Toimenpide
1	Liitä puhallin huoltokatkaisijaan.
2	Löysää puhaltimen etupuolella olevia ruuveja ja käännä yläosaa kahvan avulla. Kannatinrauta varmistaa, että yläosa pysyy auki puhdistuksen ajan.
3	Harjaa keskipakoispuhallin puhtaaksi. Pese pyörä tarvittaessa saippuvedellä. Ole erityisen huolellinen, jottei kanavajärjestelmään ja moottorin pääse vettä.
4	Kattolämpivienti ja kanavajärjestelmä: Irrota keskipakoisosaa (e) ja mahdollisesti myös ylipainepelti AOR. Tämän jälkeen voit puhdistaa kattolämpiviennin ja mahdollisesti myös kanavajärjestelmän avoimen puhaltimen läpi. Huomautus: Kanavajärjestelmän mahdollinen puhdistus on suoritettava erittäin harkitusti, jotta vältetään tomulta ja liialta puhaltimen käyttöalueella.

## 3.2 Ympäristöilmoitus

**Tuotteen kuvaus** EXHAUSTO DTV on helposti huollettava säteittäispuhallin, jossa on taaksepäin suunnatut siivekkeet. Puhallinpyörä on asennettu suoraan moottorin akseliin kitkan ja kuluvien osien määrän vähentämiseksi, jotta kunnossapitokuluja säästetään. Huolto ja puhdistus tehdään avaamalla saranoitu yläosa. Näin päästään käsiksi kaikkiin ilman kanssa kosketukseen joutuviin osiin. Moottori ja mahdollinen moottorinohjaus eivät joudu kosketuksiin ilmavirran kanssa. Puhallin on CE-hyväksytty ja EMC-testattu voimassaolevien direktiivien mukaisesti.

**Materiaalit** Puhaltimen runko ja puhallinpyörä on valmistettu valamalla alumiinista, joten ne voidaan kierrättää. Puhaltimen rungon näkyvät osat on pintakäsitelty vesipohjaisella maalilla. Moottori koostuu alumiinista, teräksestä, kuparista ja mahdollisesti muovisesta jäähdytysosasta. Pakkaus on aaltopahvia.

### Materiaalit

	DTV160	DTV200	DTV250	DTV315	DTV400	DTV450
Alumiini	75%	79%	72%	76%	75%	72%
Rauta	17%	15%	16%	15%	19%	22%
Kupari	4%	3%	2%	1%	2%	2%
Piirikortti, elektroniset osat	1%	1%	7%	5%	2%	2%
Muovi, solukumi	1%	1%	1%	1%	1%	1%
Muuta	2%	1%	2%	2%	1%	1%



Scan code and go to addresses at  
[www.exhausto.com](http://www.exhausto.com)