

GB



VEX1000 RS

*Installation and assembly
with EXcon+ control system*



Original instructions



1. Product information

1.1. Model overview	6
1.1.1. Model overview.....	6
1.2. Application	7
1.3. Location requirements	7
1.3.1. Spatial requirements.....	7
1.3.2. Requirements for underlying surface.....	7
1.3.3. Requirements for duct system.....	7
1.4. Description	8
1.4.1. Construction of the VEX unit.....	8
1.5. Principal dimensions	9
1.5.1. VEX1000 diagrams.....	9



2. Handling

2.1. Unpacking	11
2.2. Transport	11
2.2.1. Passage through openings	12
2.2.2. Internal transport with reduced weight.....	12



3. Mechanical assembly

3.1. Installing the unit	15
3.1.1. Installed directly onto the floor.....	15
3.1.2. Installation of unit with multiple sections.....	15
3.1.3. Connecting the heating/cooling coils.....	16
3.1.4. General warnings for a unit with DX (Direct Expansion) cooling.....	17
3.1.5. Connecting the DX coil	17
3.2. Motor valve	17
3.2.1. Motor valve, MV2W/MV3W.....	17
3.3. Duct connections	18
3.3.1. Duct connection.....	18
3.3.2. Flexible duct system connections (optional).....	18



4. Electrical installation

4.1. Electrical installation	19
---	-----------



5. Maintenance

5.1. Maintenance chart	20
5.2. Service	21
Filter change.....	21
5.2.1. Servicing and cleaning.....	21
5.2.2. Automatic Leakage Control (ALC) accessory.....	22



6. Technical data

6.1. Weight, corrosion class, temperature range, etc	24
6.1.1. Weight (in kg).....	24
6.2. Capacity diagram	25
6.3. Ordering spare parts	25

Symbols, terms and warnings

Prohibition symbol



Failure to observe instructions marked with a prohibition symbol may result in serious or fatal injury.

Danger symbol



Failure to observe instructions marked with a danger symbol may result in personal injury and/or damage to the unit.

Stop and wait symbol



After switching off the AHU, please wait 4 minutes for the system to de-energise..

Scope

This instruction manual is for use with EXHAUSTO VEX1000-type Air Handling Units (AHU). Please refer to the product instructions regarding accessories and extra equipment.

The instructions must be fully observed to ensure personal safety and to protect the equipment and ensure its correct operation. EXHAUSTO A/S accepts no liability for accidents caused by equipment not used in accordance with the manual's instructions and recommendations.

Supply air/extract air

These instructions use the following terms as defined in DS447-2013:

- Supply air (air blown in)
- Extract air (air removed)
- Outdoor air
- Exhaust air

Left/Right

The term R for Right, indicates the supply air is to the right of the AHU, as seen from the operating side. The term L for Left, indicates the supply air is to the left.

Warnings:

Opening the air handling unit



Do not open the service doors before the supply voltage has been disconnected at the supply disconnecting device (main switch).

The main switch is located on the control system panel for the air handling unit.



Prohibited



The VEX unit is not to be used to transport solid particles or in areas where there is a risk of explosive gases.

No duct connection



If one or more of the spigots is not connected to a duct: Fit a protective net to the spigots with a maximum mesh width of 20 mm (in accordance with EN294).

Lock the air handling unit during operation

The VEX unit must always be locked during operation:



Data plate

The VEX unit data plate shows:

- VEX unit, type
- Production number
- Supply data
- Filter data
- Weight
- QR Code for documentation access
- EXHAUSTO contact information

Engineered in Denmark

UNIT Name	Unit	
TYPE	Model	Orientation
	No/Year	Ponumber/Year
SUPPLY AHU	3x400+N+PE-50Hz	lkmax / lkmin lkmax / lkmin kA
SUPPLY HE	3x400+N+PE-50Hz	lkmax / lkmin lkmax / lkmin kA
Filter Data	Pre-filter Extract 1.1: G4	Filter Extract 1.1: M5 Panel
	Pre-filter Outdoor 2.1: G4	Filter Outdoor 2.1: F7 Panel
	Total Weight	Totalweight



EXHAUSTO A/S
 Odensevej 76, DK-5550 Langeskov
 www.exhausto.dk

NB

Always have the production number ready when contacting EXHAUSTO A/S.

Important!

Always check whether the latest version of the manual is available.

Scan the QR codes on the side of air handling unit to access any attached documentation.

Section data plate

Production Number	Ponumber
Section Information	SectionPart x/y
Section Weight	Section Weight

The VEX unit section data plates are located at the bottom of each section, and show:

- Production number
- Section information
- Section weight

EXcon+ data plate

Instructions for access to Excon+

Step 1: Connect to Hotspot



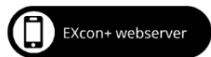
Select network with SSID **EXcon+ - VEX10xx_yyyyyy**

Use Password

123456789



Step 2: Login to Web Client



URL

10.1.19.32

Username

User

Password

111111



EXHAUSTO A/S
 Odensevej 76, DK-5550 Langeskov
 www.exhausto.dk

The EXcon+ data plate shows how to connect to a Wi-Fi hotspot using QR codes, and how to gain access to the EXcon+ web client. Follow the steps and log in with the usernames and passwords provided on the data plate.

HMI panel or web interface

Refer to the EXcon+ instructions for more info about accessing the technician menu to check the unit's operating status.

Level	Username	Password
Facility manager	user	111111
Service technician	service	333333

Technical data



Technical data regarding the configuration of the VEX1000 unit as well as coil connections etc. is given on the accompanying spec sheet from the EXselectPRO calculation program.

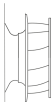


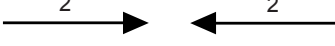


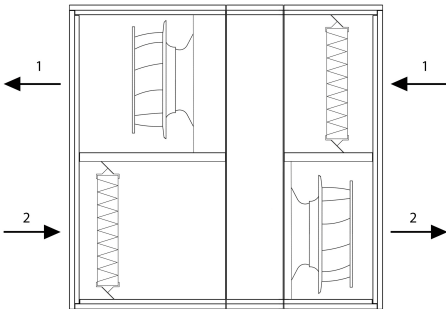
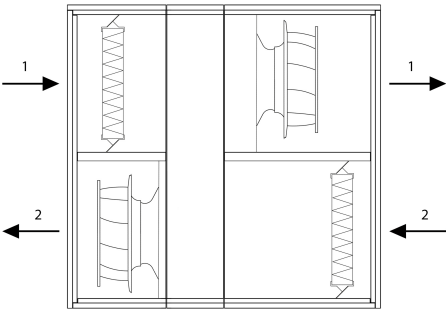
1. Product information

1.1 Model overview

1.1.1 Model overview

Positioning of fan, motor (M) and motor control (MC)

Elements	Description
	Fan
	Compact filter
	Air direction, extract air
	Air direction, supply air

Fan position	Compact filters, fans and airflows
Right	
Left	

1.2 Application

Comfort ventilation EXHAUSTO VEX AHUs are used for comfort ventilation tasks. For the operating temperature range for the unit – see section "Technical data".

Prohibited uses The VEX AHU is not to be used to transport solid particles or in areas where there is a risk of explosive gases.

1.3 Location requirements

Positioning The air handling unit is designed for indoor fitting. The air handling unit can be ordered for outdoor installation (accessory Outdoor, OD).

Note: EXHAUSTO recommends that the VEX1000 be installed in a locked mechanical room in order to avoid unauthorised access to the unit.

1.3.1 Spatial requirements

The table below indicates how much space is needed for servicing, replacing filters, cleaning, etc.

VEX1000 model	Installation depth (mm)	Min. space required for service in front of unit (mm)
1005	712	710
1010	712	710
1015	801	800
1020	897	895
1030	999	995
1035	1100	1095
1045	1202	1200
1050	1304	1300
1060	1387	1385
1065	1489	1487
1080	1590	1588

1.3.2 Requirements for underlying surface

When fitting the unit directly to an existing surface, the surface must be:

- Level
- Horizontal (± 3 mm per meter)
- Hard
- Vibration-resistant

1.3.3 Requirements for duct system

Connection to duct system To achieve maximum performance and minimal energy consumption, the unit should be connected to a straight duct at least 750 mm long, in the front and back of the unit.

Silencers The duct system must be fitted with silencers specified by the project manager which meet the requirements of the operation area.

Insulation

The duct system must be insulated against:

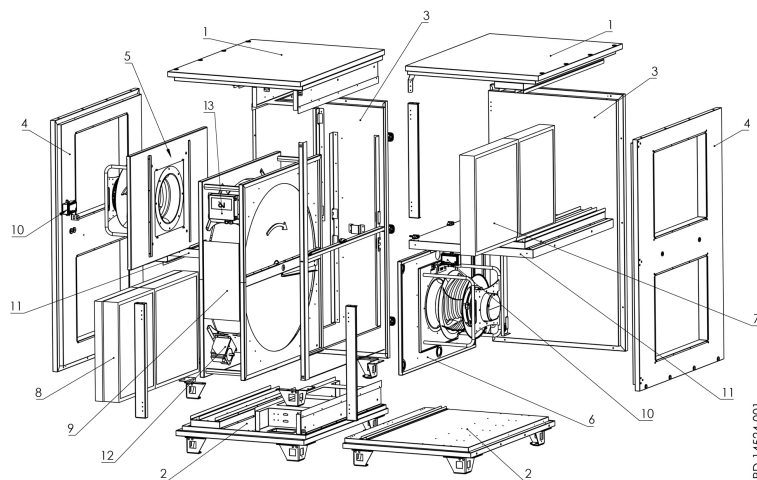
- Condensation
- Sound
- Thermal loss

Condensation

Condensation in the ducts may occur when the exhaust/outdoor air is experiencing high humidity. EXHAUSTO recommends that a condensation outlet is also fitted at the lowest point in the ducts.

No duct connection

If one or more of the spigots is not connected to a duct: Fit a protective net to the spigots with a maximum mesh width of 20 mm.

1.4 Description**1.4.1 Construction of the VEX unit****VEX1000-RS**

The drawing above illustrates the construction of the unit (without service doors). Shown here is a Right unit.

Pos. no.	Part
1	Top panel
2	Bottom panel
3	Back panel
4	End panel
5-6	Fans
7-8	Filter
9	Rotary heat exchanger
10	PTH pressure
11	Shelf
12	Step motor for rotor
13	Rotor control

Cabinet

The inside and outside of the cabinet is made of Zinc-Magnelis® and insulated with 50 mm mineral wool.

Ventilators

The unit has a centrifugal fan for extract air and a centrifugal fan for supply air

Rotary heat exchanger

The rotary heat exchanger is driven by a step motor with rotor control that controls the speed of the rotor.

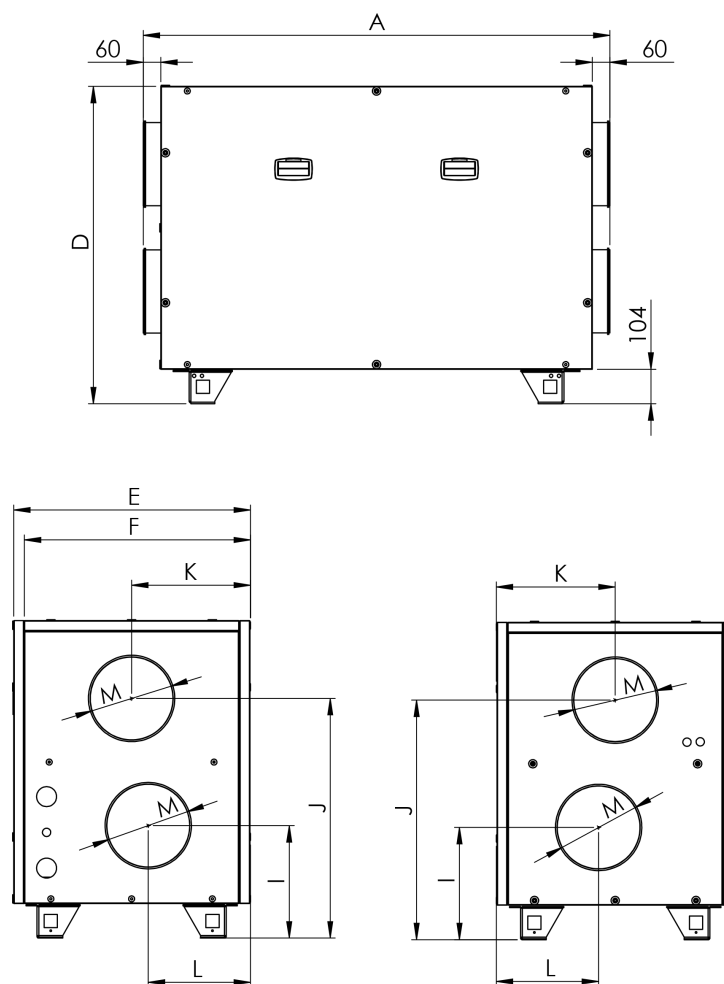
Filters

There are built-in compact filters (as shown in "Model Overview") or bag filters on both the extract air and supply air side. A pre-filter for both outdoor air and extract air is also available.

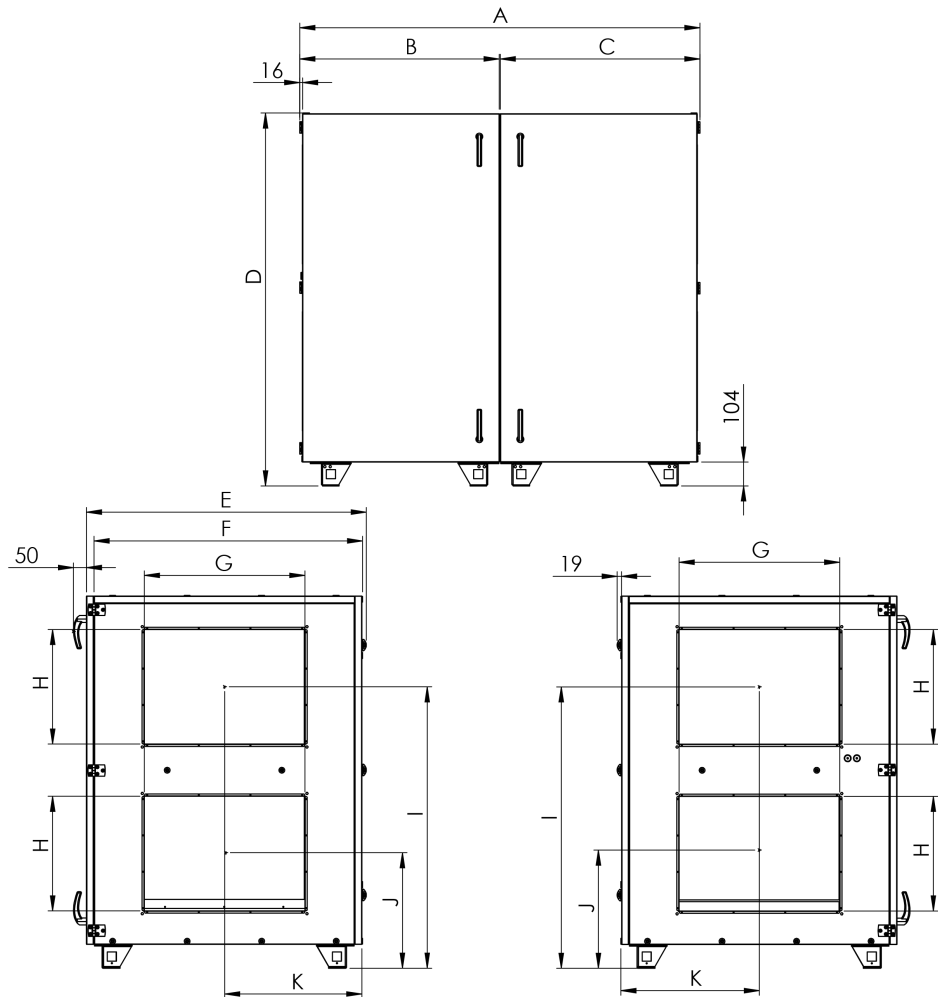
1.5 Principal dimensions

1.5.1 VEX1000 diagrams

VEX1000 mono diagram



VEX1000 duo
diagram



RD14524-01

VEX size	A mm	A (CW/DX)	Dmm	E mm	F mm	I mm	J mm	K mm	L mm	M ø
1005	1405	1541	959	719	688	338	721	356	306	250
1010	1446	1581	1239	719	688	410	930	356	306	315
1015	1560	1695	1239	808	777	410	930	400	350	400
1020	1560	1695	1239	904	873	410	930	449	400	400

VEX size	A mm	B mm	C mm	D mm	E mm	F mm	G mm	H mm	I mm	J mm	K mm
1030	1685	838	838	1444	1009	971	500	400	1084	459	505
1035	1689	838	828	1444	1119	1072	500	400	1084	459	555
1045	1754	870	870	1629	1225	1173	700	500	1228	500	606
1050	1754	870	870	1629	1322	1270	700	500	1228	500	655
1060	1820	904	904	1839	1405	1358	900	500	1384	588	700
1065	1820	904	904	1839	1508	1461	900	500	1384	588	750
1080	2127	1057	1057	2011	1612	1562	1000	700	1515	626	795

NB: All A-measurements for VEX1030 to VEX1080 are without the removable transition pieces.



2. Handling

2.1 Unpacking

Supplied components

The following components are supplied:

- VEX1000 unit
- Supplied with accessories (as indicated in the EXselectPRO configuration included with the unit)

Packaging

The unit is delivered attached to a disposable pallet or placed on a wooden frame and wrapped in plastic.

NB

Once the plastic has been removed, the unit must be protected against dirt and dust:

- **Whenever possible, keep the unit closed during fitting.**

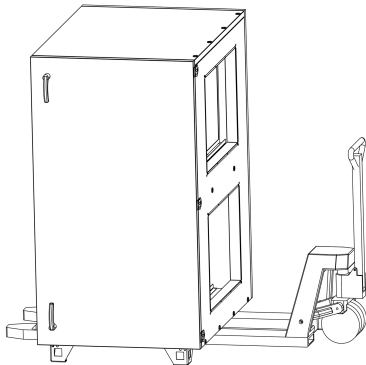
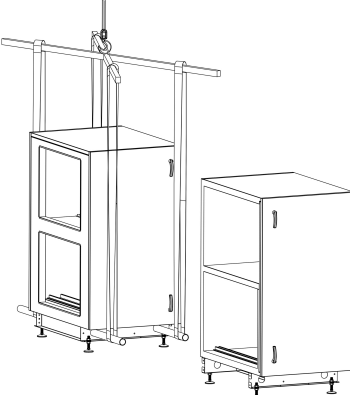
Clean unit before use

Once the VEX1000 unit is fitted, it must be checked and thoroughly cleaned. All dust, debris and metal shavings must be vacuumed up.

2.2 Transport

Transport equipment

Transport the VEX unit in one of the following ways:

Method	Drawing
<p>Using a pallet truck or fork-lift truck: IMPORTANT: The forks on the lifting equipment must be long enough to prevent damage to the bottom of the unit.</p>	
<p>Installation on base frame - split: Use straps and lifting yokes to prevent damage to the unit.</p>	

2.2.1 Passage through openings

Size (mm)	Height with feet (mm)	Depth (mm)	Width (mm)	Mixer section	Shortest section dimensions	Largest sheet part when split	Rotor
1005	959	712	719	-	-	859x1405x60	492x570x290
1010	1239	712	719	-	-	1139x1446x60	772x570x290
1015	1239	801	808	-	-	1139x1560x60	772x659x290
1020	1239	897	904	-	-	1139x1560x60	772x755x290
1030	1444	999	1009	-	838	1344x1009x60	976x857x290
1035	1444	1100	1119	-	838	1344x1119x60	976x958x290
1045	1629	1201	1225	-	870	1529x1225x60	1161x1060x290
1050	1629	1303	1322	-	904	1529x1322x60	1162x1116x290
1060	1839	1386	1405	-	904	1739x1405x60	1371x1245x290
1065	1839	1489	1508	-	904	1739x1904x60	1371x1347x290
1080	2011	1590	1612	-	1057	1911x1057x60	1539x1448x290

Width

If the door opening width is smaller than the unit width, then the door can be removed. Consult the table above. This will yield 31 mm.

Measurements are based on the exact dimensions of the VEX unit.

2.2.2 Internal transport with reduced weight

Weight reduction

The weight can be reduced during transport by removing the service doors and fan units, as well as the rotary heat exchanger.

Removing the service doors

On a VEX1005-1020, remove the doors by unfastening and removing the bolts set into the corners of the door.

On a VEX1030-1080, unfasten and remove the bolts on the door hinges.

In order to minimise damage during transport, the handles on the VEX unit have been dismantled at the production facility. These should be installed for opening the service doors before dismantling them. The handles are located with the other accessories.



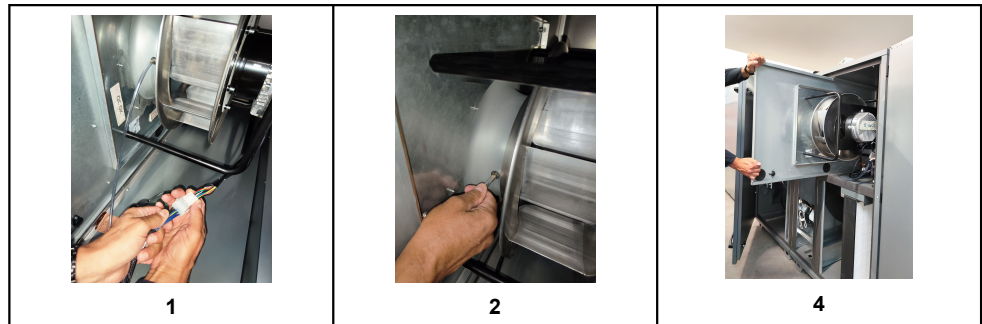
Removing the internal heating and cooling coils

The coils can all be safely removed by hand. The heating coil slides out smoothly. When removing the cooling coil, ensure that the hoses are pulled back in order to slide out the coil. See the pictures below. If the drop separator is installed, it must be removed before removing the coil.



Removing the fan

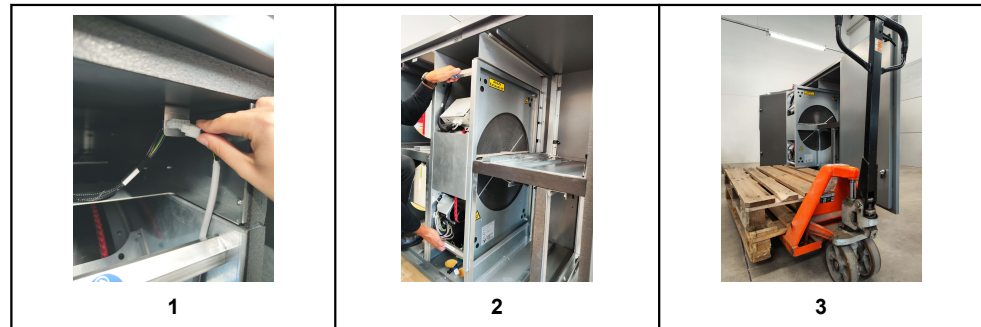
Step	Action
1	Separate connectors at motor by clicking the assembly apart
2	Loosen the bindings for the motor cable and the measuring hose
3	Remove the measuring hose attached to the intake
4	Then, pull out the fan unit (Please see below for weight specifications)



Removing the rotor

Step	Action
1	Disconnect the plug at the top of the rotor
2	Pull out the rotor
3	If necessary, use a pallet lifter to pull out the rotor.

Note: To pull out the rotor correctly, pull on both cross-braces at the same time. Be aware that the rotor cannot withstand shocks when pulled out. See the pictures below.



NB: Carefully consider the weight of the fan and rotor units, see table below:

Size	Fan unit [kg]	Rotor [kg]
VEX1005	8.5	31
VEX1010	9.7	41
VEX1015	12.5	48
VEX1020	13.2	53
VEX1030	20.8	65
VEX1035	21.4	78
VEX1045	28.3	98
VEX1050	28.8	101
VEX1060	34.7	118
VEX1065	36.4	142
VEX1080	60.5	155



3. Mechanical assembly

3.1 Installing the unit

Description The VEX1000 unit is installed in a horizontal position.

3.1.1 Installed directly onto the floor

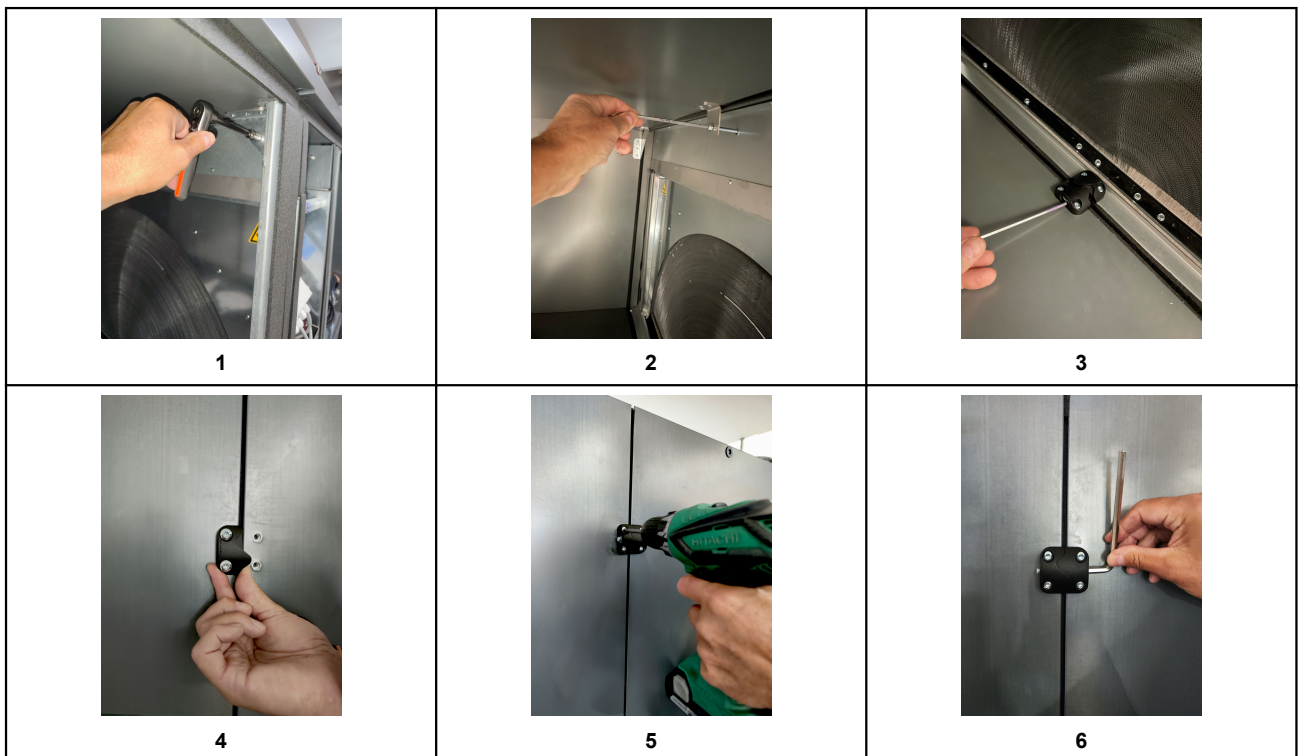
The requirements for the floor surface must be met, see the section entitled "Requirements for underlying surface."

NB After installation, make sure the VEX1000 unit is completely level, otherwise fit the adjustable set screws supplied with the unit.

3.1.2 Installation of unit with multiple sections


Some VEX1000 units are supplied with 2 or 3 sections (3 sections if the mixer section is included). They are assembled using both external (1) and internal joint bracket. Make sure the sections are fully assembled before clamping

1	Start with the internal brackets in back and front top and bottom.
2-3	The internal brackets are then clamped together in the middle of the sections, both at the top and the bottom.
4-5	Mount the external brackets that are supplied with the unit.
6	Tighten the external brackets.



3.1.3 Connecting the heating/cooling coils

The internal heating or cooling coil can be connected to the pipe system using boiler hoses to prevent vibrations from spreading to the pipe system if needed.

Type	Method	Simplified diagram
Mixing loop 1	Variable flow in the primary circuit (supply) and constant flow in secondary circuit (VEX unit)	
Mixing loop 2	Constant flow in the primary circuit (supply) and the secondary circuit (VEX unit) When there is no heating/cooling requirement, valve adjustment must be based on the required primary circuit water flow	
	Do not connect the heating or cooling coil like this! Connection without circulation pump risks frost damage!	

3.1.4 General warnings for a unit with DX (Direct Expansion) cooling



Note that the coolant from the evaporator must be collected and disposed of in accordance with national regulations concerning the disposal of coolants.



Note that if the door is opened in the cooling section, there is a risk of frostbite from touching cold components.



If coolant has escaped into the room, personnel may only be present in the room if they are wearing respiratory protection. Coolant is odourless, but displaces oxygen in the room and thus can lead to suffocation.

3.1.5 Connecting the DX coil

Connection of the DX section must be performed by an authorised cooling company.



The pipe layout must be carried out by an authorised cooling technician



The pipes must be laid manually.



The permitted pressure, which is stated for the cooling coil, must be maintained. (Max pressure is 42 bar)



Avoid contact with coolant and use personal protective equipment in accordance with national regulations.

Ducting connected coils

It is also possible to duct connected cooling coils if the heating coils are internal, either as insulated or uninsulated. The coils can be mounted directly in the duct or mounted unto the duct system using connection transition pieces.

3.2 Motor valve

3.2.1 Motor valve, MV2W/MV3W

2-way or 3-way valve

A modulating 2-way or 3-way motor valve for the control of water flow is supplied together with the heating or cooling coil. The valve is fitted onto or just after the return flow spigot from the heating/cooling coil.

Fitting motor valve



The valve must not be fitted with the motor facing down

Screening

Screen the valve motor from direct sunlight. Due to heat emissions, the valve motor must not be encapsulated (max. ambient temperature: 50°C).

Isolation of valve and valve motor

To ensure normal operation at ambient temperatures below 0°C, it is very important that the valve section is insulated according to current standards/procedures.

Regulation properties

The control of the motorised control valve is best when the differential pressure is below 200 kPa. See EXselect Pro print out for the value of Kvs.

Heat supply

The heat supply **must** be constant.

Outdoor unit



When installing outside, the motor valve must be protected against penetrating water and frost.

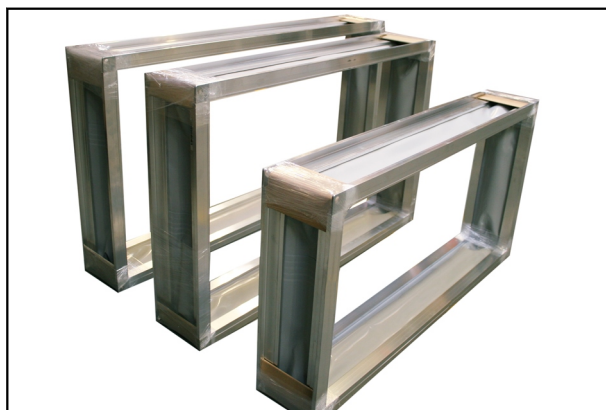
3.3 Duct connections

3.3.1 Duct connection

The air handling unit can be supplied with duct connection/flanges

3.3.2 Flexible duct system connections (optional)

The VEX1000 series of air handling units can be ordered with flexible duct system connections. Flexible duct system connections are used to attenuate any vibrations out in the duct system.



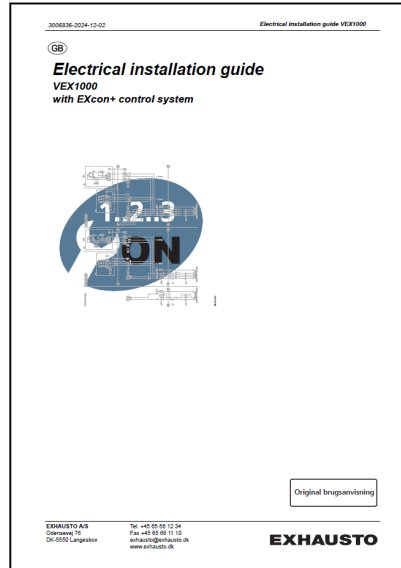
Potential equalisation: If the air handling unit is fitted in accordance with EN3803, then potential equalisation must be fitted between the air handling unit and the duct system at the flexible duct system connections.



4. Electrical installation

4.1 Electrical installation

Reportez-vous aux instructions jointes « Guide de installation électrique VEX1000 »





5. Maintenance

5.1 Maintenance chart

Recommended intervals

The following chart details the recommended maintenance intervals, under normal operating conditions. EXHAUSTO recommends maintenance is adjusted to suit the actual operating requirements.

Component	Procedure	Once a year	Twice a year
Compact/bag filters*	Change when the display shows the filter alarm.. It is recommended that both filters are replaced at the same time. NB: The control system can issue a warning when the filter should be replaced.		
	The filter should be changed at least:		X
Filter monitor	Check that all the seals in the filter monitor are tight.	X	
Seals and sealing strips	Check that all the seals are tight.	X	
Fans	<ul style="list-style-type: none"> Check that the fan impeller is securely fixed to the shaft. Removal of fan unit. See section "Internal transport with reduced weight" Cleaning. See section "Servicing and cleaning" 	X	
Heating coil/cold water coil (accessory)	Cleaning. See section "Servicing and cleaning"	X	
Counterflow heat exchanger	Cleaning. See section "Servicing and cleaning"	X	
Checking the safety functions	Check: <ul style="list-style-type: none"> Fire thermostats Temperature sensors on heating pipe (accessories) 	X	
Closing damper	Function check	X	
Motor valve and circulation pump (accessories)	Function check	X	

*Filters



Use original filters only

- The provided filter data and pressure loss graphs (section "Technical data") are based on the use of original filters
- EUROVENT certification is only valid if original filters are used
- Use of non-original filters may cause leakage in the VEX and impair filter function
- EXHAUSTO recommends that you register the filter replacement date to ensure filters are replaced at the correct intervals

5.2 Service

Filter change

Use original filters



Only use original filters. See section "Maintenance chart".

How to change the filters



Disconnect power at the main switch before opening the door.

Pull out the filters. Remember to check the flow direction - see the arrows on the filter.
Discarded filters must be stored immediately in sealed plastic bags and disposed of responsibly.


5.2.1 Servicing and cleaning

Cleaning motor/fan



See section "Internal transport with reduced weight" for details on how to remove the fan and rotor units.

Step	Action
1	Switch off the power supply to the unit at the main switch on the control system panel before opening the doors
2	Clean the fan impellers with a vacuum cleaner and wipe down with a damp cloth if necessary
3	Clean the impeller blades carefully, so as not to disturb the balance
4	Once re-fitted, check the unit operates without vibrating
Inspection of measuring points hoses	
5	Remove the hoses at the connection box
6	Blow air through the hoses to remove any impurities

Cleaning cooling/heating coils

Step	Action
1	Switch off the power supply to the unit at the main switch
2	Vacuum clean the cooling/heating coil
3	Cooling coil: clean the condensation tray
4	Check the fins on the exchanger are not deformed. The fins are sharp. 

Cleaning rotary exchanger

Step	Action
1	Switch off the power supply to the unit at the main switch before opening the doors
2	Vacuum clean the exchanger with caution, ideally using a soft brush vacuum nozzle.  Avoid touching the fins in the exchanger with sharp or hard objects – the fins are very soft and can easily be deformed, which will diminish the performance of the VEX.
3	Check that the fins on the exchanger are not deformed.  The fins are sharp.

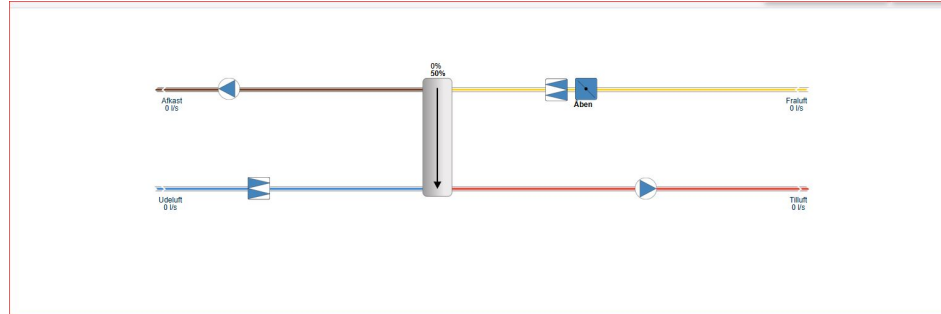
5.2.2 Automatic Leakage Control (ALC) accessory

Application



Automatic Leakage Control (ALC) is a function that prevents leakage in Air Handling Units (AHU) with rotary heat exchangers. ALC continuously measures and controls the pressure difference between supply airflow and extract airflow to ensure that no contaminated air is recirculated to the clean supply airflow air in the AHU's supply.

NB! If ALC is purchased, all components are fully mounted in the unit and configured in the HMI as a factory setting.



Prerequisites

ALC can be configured and activated in applications with:

- Rotary heat exchangers
- Modbus-controlled damper in extract air
- Pressure transmitter mounted between supply air and extract air in rotor section
- Purging zone
- EXcon+ Software version 1.00 or later

Caution:

ALC **cannot** be used in applications controlled by:

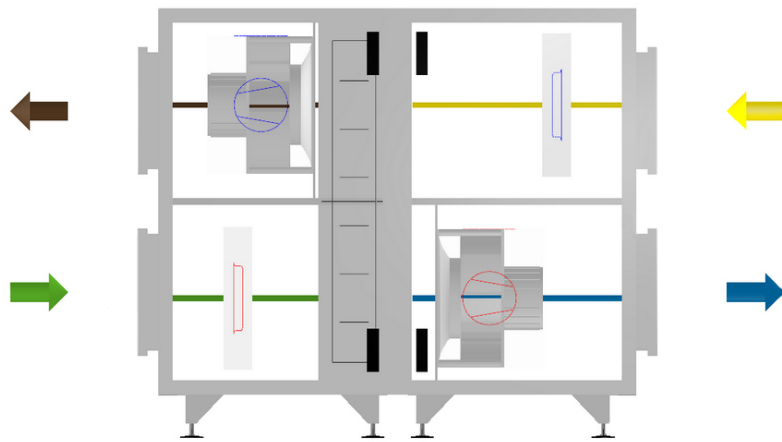
- Cross, double crossflow, counterflow, or liquid connected heat exchangers
- Recirculated damper (On/Off, 0-10V)
- CO₂ / VOC / Fan Optimiser regulation
- Third-party control systems

Function

The principle of the function is to keep a minimum negative pressure in the extract air side (exhaust side) of the rotary heat exchanger in relation to the supply air side (fresh air side) of 20 Pa. If the differential pressure moves towards a value lower than 20 Pa due to dynamic pressure changes, the extract air damper will gradually close towards the minimum to maintain the positive differential pressure.

Operational prerequisites

- Maximum duct pressure drop on outdoor air: 100 Pa at maximum ERP airflow.
- Minimum duct pressure drop on extract air: 150 Pa at maximum ERP airflow.
- Maximum permitted imbalance in airflow between supply air and extract air: 50%
- Maximum +/- 20% offset on slave regulation.



Please note!

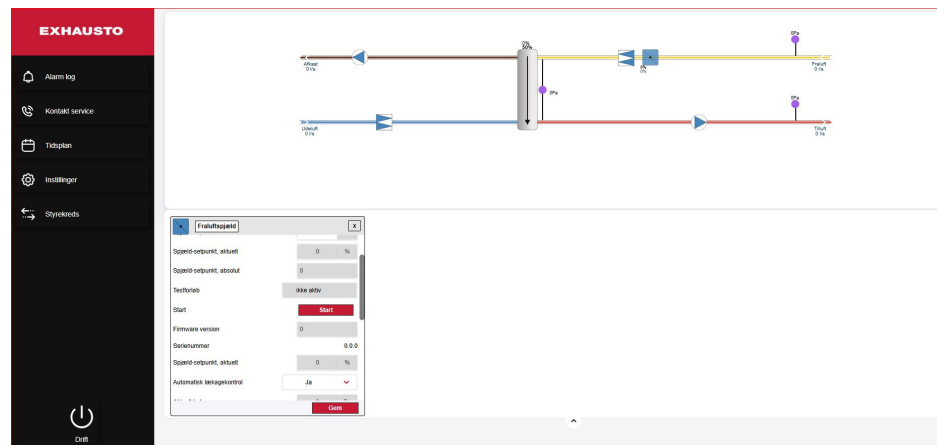
If the operational prerequisites are not met, there may be instability and/or leakage from extract air to supply air.

Stopping ALC



It is recommended that the system is only switched off during service and maintenance, as leakage may occur briefly during start-up.

Under: **Service >Unit > Settings**, you can click on the extract air damper and the extract air damper menu will appear. ALC can now be switched on and off.





6. Technical data

6.1 Weight, corrosion class, temperature range, etc.

6.1.1 Weight (in kg)

Size	Total weight
1005	125
1010	190
1015	-
1020	303

Size	FanER section	FanS section	Mixer section	Total without mixer
1030	223	126	-	349
1035	243	138	-	381
1045	288	162	-	450
1050	308	173	-	481
1060	351	197	-	548
1065	382	214	-	597
1080	471	270	-	741

Size	Fan weight	Rotor weight
VEX1005	8.5	31
VEX1010	9.7	41
VEX1015	12.5	48
VEX1020	13.2	53
VEX1030	20.8	65
VEX1035	21.4	78
VEX1045	28.3	98
VEX1050	28.8	101
VEX1060	34.7	118
VEX1065	36.4	142
VEX1080	60.5	155

Corrosion class

Corrosion class	Corrosion class C5 in accordance with EN ISO 12944-2
-----------------	--

Temperature range

Outdoor air temperature	-40°C to +35°C
Ambient temperature	-30°C to +50°C

At temperatures below -25°C (with outdoor installation), use of a thermostatically controlled heater in automated control box is recommended.

HMI panel

Enclosure class	IP20
Ambient temperature	0°C to +50°C

At temperatures below 0°C, the display may react more slowly than usual.

Fire thermostat

Cut-out temperature BT40/50/70 (adjustable)	40-50-70°C
Max. ambient temperature, sensor	250 °C
Ambient temperature, thermostat housing	0°C - +80°C
Sensor length	125 mm
Enclosure class	IP40

Motor damper

Motor damper type	LS400-24	LSR400-24
Designation	LSA/LSF	LSFR
Motor type	NM24-F	AF-24
Rotation time	75–150s	Open: 16s Closed: 150s
Ingress protection	IP42	IP42
Ambient temperature	-20°C to +50°C	-30°C to +50°C
Damper depth (LS rail system)	100 mm	100 mm

6.2 Capacity diagram**Recommendation**

Find a precise calculation of the unit's capacity in the EXselect configuration datasheet generated when ordering the VEX1000 unit.

6.3 Ordering spare parts**Find production number**

To be able to supply the correct spare part for the specific VEX1000 unit, a production number must be presented when ordering. The production part number is written on the front page of the instructions supplied with the unit. It is also included on the data plate.

Contact

Contact a local EXHAUSTO distributor to order a spare part. The telephone number is shown on the back cover of these instructions. If required, see chapter 2 - "Description" for an overview of the positions of each individual part.



Scan code and go to addresses at
www.exhausto.com