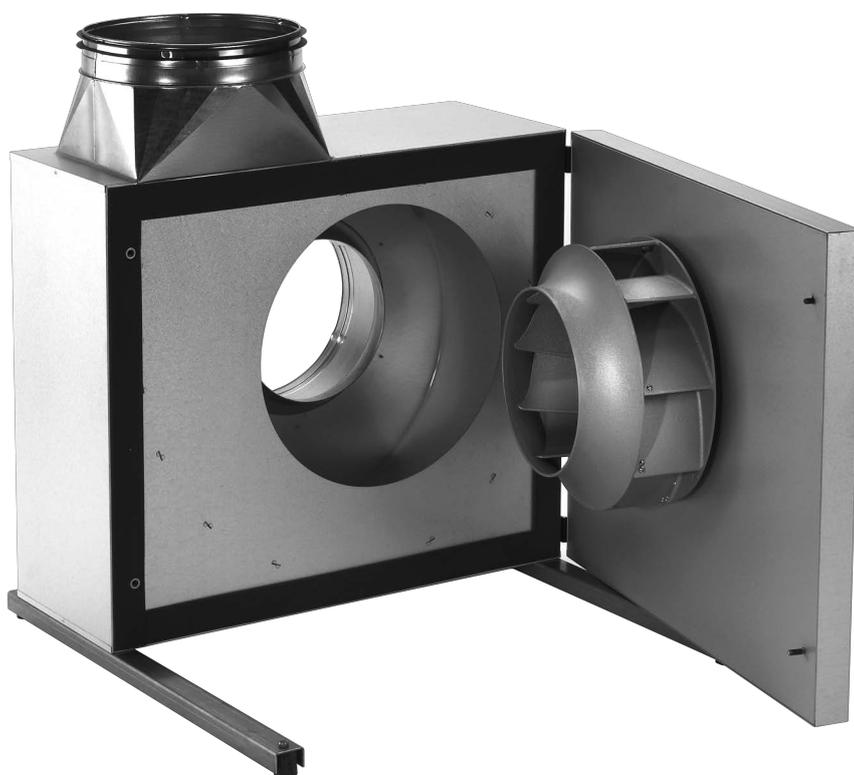


- Ⓞ GB
- Ⓞ DK
- Ⓞ DE
- Ⓞ NO
- Ⓞ SE



BESB/FSB

GB - BESB/FSB – Product information

1.1 Main parts	4
1.2 Transport	5
1.3 Fitting	5
1.3.1 Fitting indoors	5
1.3.2 Fitting outdoors (OD).....	6
1.3.3 Fitting the mounting bars.....	6
1.4 Wiring	7
1.4.1 Ventilator with EC control	8
1.4.2 Fault finding 1-phase EC control	13
1.4.3 Fault finding 3-phase EC control	15
1.5 Connecting to duct system:	16
1.6 Airflow measurement	17
1.7 Service and cleaning	18
1.8 Environmental declaration	18

DK - BESB/FSB - Produktvejledning

1.1 Opbygning	20
1.2 Transport	21
1.3 Montage	21
1.3.1 Indendørs placering	21
1.3.2 Udendørs placering (OD).....	22
1.3.3 Montage af bæreskiner	22
1.4 El-tilslutning	23
1.4.1 Ventilatorer med EC-styring	24
1.4.2 Fejlfinding for 1-faset EC styring	29
1.4.3 Fejlfinding for 3-faset EC styring	31
1.5 Kanaltilslutning	32
1.6 Luftmængdemåling	33
1.7 Service og rengøring	34
1.8 Miljødeklaration	34

DE - BESB/FSB - Betriebsanleitung

1.1 Aufbau	36
1.2 Transport	37
1.3 Montage	37
1.3.1 Aufstellung in Innenräumen	37
1.3.2 Aufstellung im Freien (OD).....	38
1.3.3 Montage von Tragschienen.....	38
1.4 Elektrischer Anschluss	39
1.4.1 Ventilatoren mit EC-Automatik	40
1.4.2 Fehlersuche bei 1-phasigen EC-Automatik.....	46
1.4.3 Fehlersuche bei 3-phasigen EC-Automatik.....	48
1.5 Kanalanschluss	49
1.6 Luftmengenmessung	50
1.7 Wartung und Reinigung	51
1.8 Umweltdeklaration	52

NO - BESB/FSB - Produktveiledning

1.1 Oppbygning	53
1.2 Transport	54
1.3 Montering	54
1.3.1 Innendørs plassering	54
1.3.2 Utendørs plassering (OD)	55
1.3.3 Montering av bæreskiner.....	55
1.4 Elektrisk tilkobling	56
1.4.1 Vifter med EC-styring	57
1.4.2 Feilsøking for 1-fase EC-styring	62
1.4.3 Feilsøking for 3-fase EC-styring	64
1.5 Kanaltilkobling	64
1.6 Luftmengdemåling	66
1.7 Service og rengjøring	67
1.8 Miljødeklarasjon	68

SE – BESB/FSB – Produkthandbok

1.1 Konstruktion	69
1.2 Transport	70
1.3 Montering	70
1.3.1 Inomhusmontering	70
1.3.2 Placering utomhus (OD).....	71
1.3.3 Montering av bärskenor.....	71
1.4 Elanslutning	72
1.4.1 Fläktar med EC-styrning.....	73
1.4.2 Felsökning för 1-fas EC-styrning	79
1.4.3 Felsökning för 3-fas EC-styrning	81
1.5 Kanalanslutning	81
1.6 Luftmengdemåling	82
1.7 Service og rengjøring	83
1.8 Miljødeklaration	84

1. GB - BESB/FSB – Product information

EXHAUSTO BESB/FSB box ventilators are used in air supply and extraction systems.



The ventilator is not to be used to transport solid particles, nor in areas where there is a risk of explosive gases.



The ventilator must not be started with the service door open.

1.1 Main parts

Description

BESB/FSB is available in four different sizes, is completely insulated, and has a low-noise centrifugal fan with cast aluminium backward-bent blades (B-impeller):

- BESB250-4-1EC/FSB250-4-1EC
- BESB315-4-1EC/FSB315-4-1EC
- BESB400-4-1EC/FSB400-4-1EC
- BESB500-4-1EC/FSB500-4-1EC
- BESB500-4-3EC

The ventilator has an internal insulated housing and an external cabinet, both made of sheet aluminium.

Main components

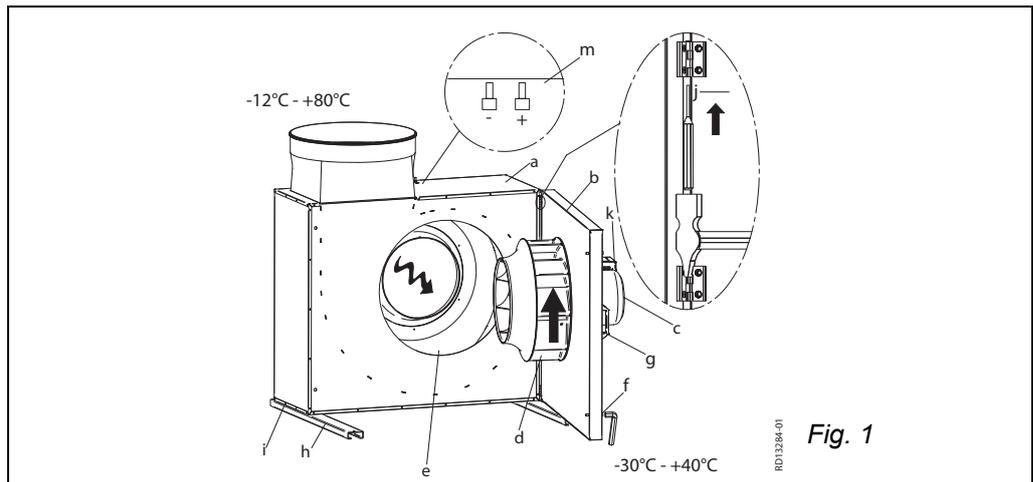


Fig. 1

Pos.	Part
a	Cabinet
b	Service door
c	Motor
d	B-impeller
e	Fan housing
f	Locking screws (supplied with screwdriver)
g	Handle
h	Mounting bars with vibration damper
i	Self-tapping screws
j	Hinges
k	EC control/terminal box
m	Air flow measuring probes (not included with BESB/FSB250)

Min. operating temperature: -12°C max. operating temperature +80°C

Ambient temperature when running: min. -30°C max. +40°C

1.2 Transport

The ventilator is delivered packaged and can be transported on a pallet. Once unpacked the ventilator should be handled carefully, especially the spigots etc. Deformation could result in internal damage to the moving parts.

If there is not a lot of space to move the ventilator, the service door can be dismantled as shown in section 1.1.

NB The ventilator must not be lifted using the service door handle.

Weight

BESB/FSB	250	315	400	500	
kg	52	57	73	88	91 (-3)

1.3 Fitting

1.3.1 Fitting indoors



There are various ways of fitting the ventilator indoors (Fig. 2). With methods B and D the service door must be kept in the open position during service. A safety fitting for this purpose can be supplied (including an assembly kit).

If the ventilator is to run intermittently, there is a risk of condensation in the motor. Therefore, use mounting method A or B only.

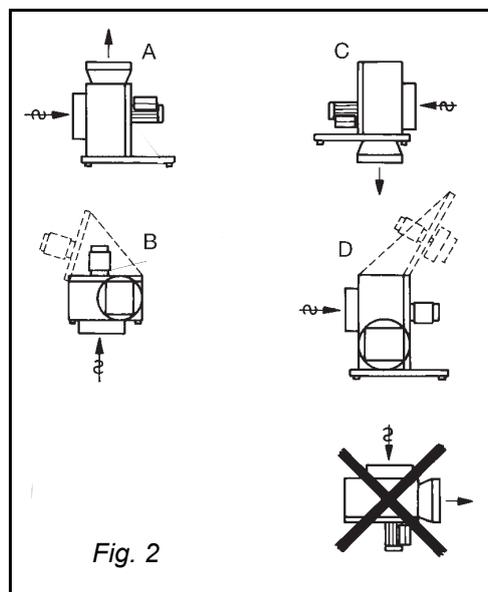


Fig. 2

Service access Wherever the ventilator is fitted, there should be space enough to be able to open the service door to an angle of approx. 80° and to access the locking screws.

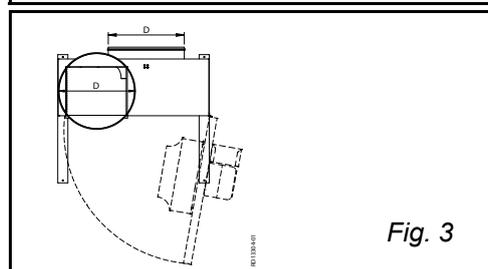


Fig. 3

Warning



The motor must never be placed vertically under the cabinet and the motor and EC control must never be covered or they will overheat.

1.3.2 Fitting outdoors (OD)



OD type ventilators are designed for outdoor use and can be used for transport of air in the temperature range up to 200°C. This version is also fitted with a drain in installation method "A"

A and B fitting methods should be used for outdoor fitting. Fitting methods C and D require a specially designed ventilator (Fig. 4) — contact EXHAUSTO.

All exterior seams, including spigots have been jointed to prevent water from getting inside.

The cabinet is class C4 DS/EN ISO12944.2 certified and designed for outdoors.

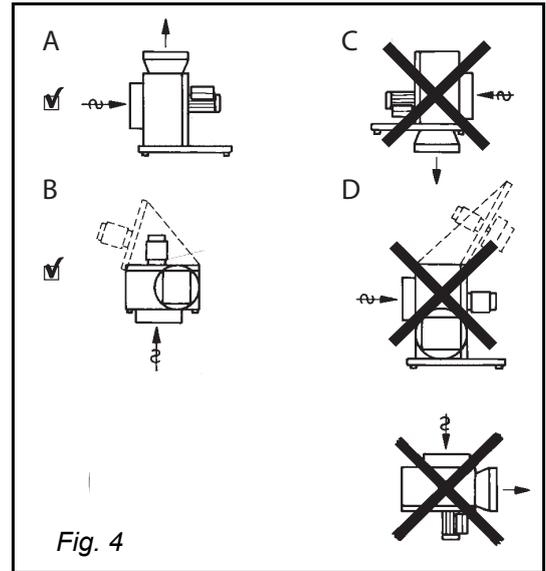


Fig. 4

Service access

Wherever the ventilator is fitted, there should be space enough to be able to open the service door to an angle of approx. 80° and to access the locking screws.

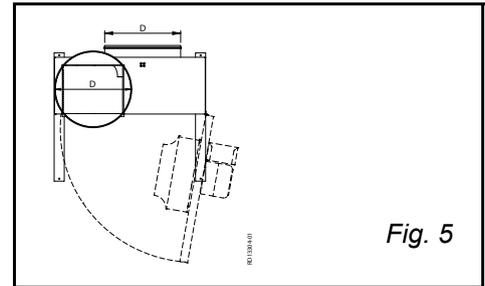


Fig. 5

1.3.3 Fitting the mounting bars

- Mounting should be done on a stable vibration-resistant base, to minimise any vibration that might be caused by the ventilator. A cement slab placed on a wooden base construction is recommended.
- Fit the mounting bars on the cabinet with the supplied fitting screws. The cabinet has holes already bored for fitting method A.
- **BESB/FSB 400 and 500:** When using fitting method B (Fig. 2/4) for BESB/FSB 400 and 500, holes (Ø16 - Ø20) are bored in the cabinet for the fitting of the mounting bars.
- Fit the mounting bars while the ventilator is on the pallet.
- Sit the ventilator on the supporting base. Do not fasten the ventilator to the base.

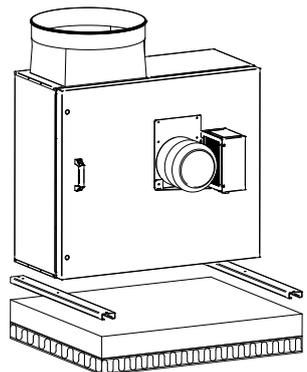


Fig. 6

1.4 Wiring

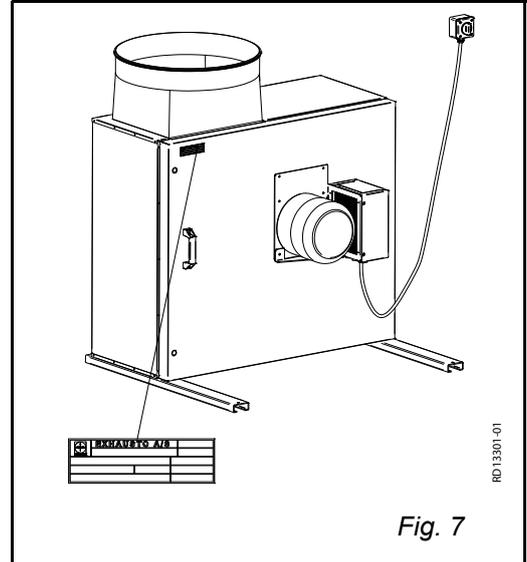
General



The wiring must only be done by a qualified electrician.

The fan and motor specifications are listed on the type-plates.

Max. fuse rating = 13 Amp.



If the fuse is a	...it must have the characteristic
melting fuse	gG or gM.
control fuse	B or C, and comply with IEC 90947-2. -

Max. short circuit current is 10 kA

At start-up and during the initial adjustment of the fan, it is important to control the direction of rotation of the motor and to check the motor current does not exceed the manufacturer's recommended operating current for the motor (to avoid damaging the motor).

Isolation switch



EXHAUSTO A/S would like to draw attention to the fact that, in accordance with the EU's Machine Directive (appendix 1) all fan systems shall include a isolation switch.

The isolation switch must ...

- be lockable or positioned in plain sight in the immediate vicinity of the fan
- be able to disconnect all poles from the supply voltage
— contact distance of at least 3 mm in each pole
- Set up as isolation switch in accordance with standard IEC 60947-1 or IEC 60947-3.

The isolation switch is not supplied by EXHAUSTO.

Lightning conductor

Any lightning conductor connected to the fan must be in accordance with applicable regulations and legislation.

Terminal	Clamp	Signal description
J8	DIR	Direction of rotation
	RUN	Start/Stop
	0V	0 V DC (chassis)
J7	U Out	10V DC
	U In	0-10V DC
	0V	0 V DC (chassis)
J5	NC	Alarm NC
	COM	Alarm C
	NO	Alarm NO

Positioning of dip switches

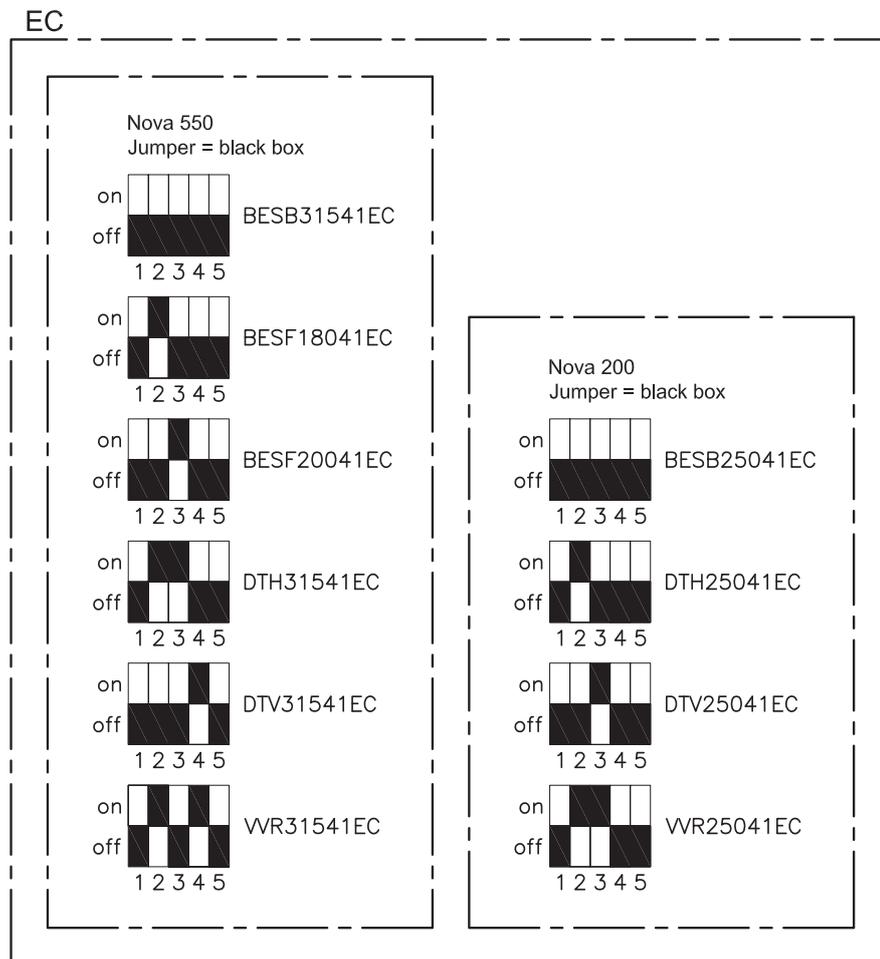


Fig. 9

1.4.1.2 FSB250-4-1EC, FSB315-4-1EC, BESB/FSB400-4-1ECog BESB/FSB500-4-1EC

Cabletype Cables for control signals must be shielded.

Diagram

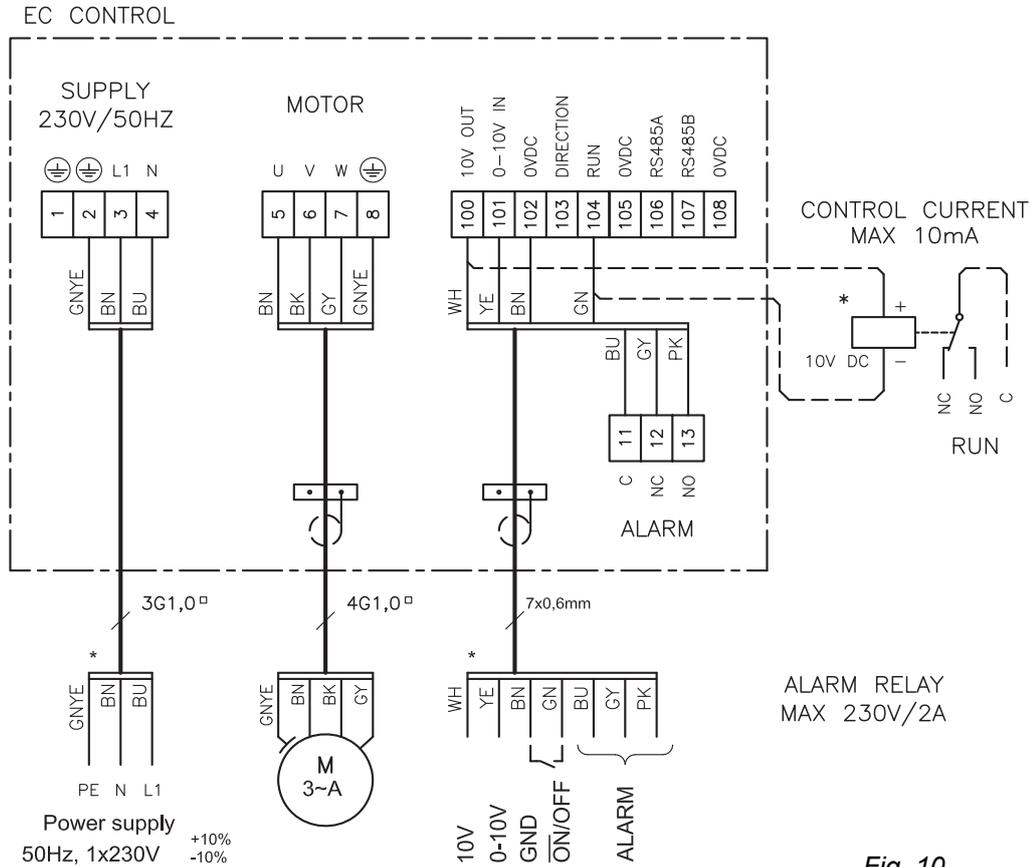


Fig. 10

* Not supplied by EXHAUSTO.

Key to diagram

Terminal	Signal description
100	10 V DC
101	0-10 VDC
102	0 V DC (chassis)
103	Direction of rotation
104	Start/Stop
105	0 V DC (chassis)
106	RS485 + (A)
107	RS485 - (B)
108	0 V DC (chassis)
11	Alarm C
12	Alarm NC
13	Alarm NO

Leakage current When operating the EC control converters have a leakage current of less than 3.5 mA. The leakage current must be earthed, as there is a risk of the motor becoming live.

R013274-07

Earth leak circuit breakers If current earth leak circuit breakers are fitted in the installation, they must be of a type that meets the following requirements:

- PFI type A breaker that breaks the circuit when a vagrant current with DC content (pulsating DC) in accordance with EN 61008.
- The circuit breakers must be marked with the following symbol:



Requirements • Disconnection time of max 0.3 seconds

Dimensioning of the neutral conductor. Multiple one-phase BESB/FSB with EC installations in a shared network with a common neutral, require special dimensioning of the neutral, as the current is not a pure sine wave.

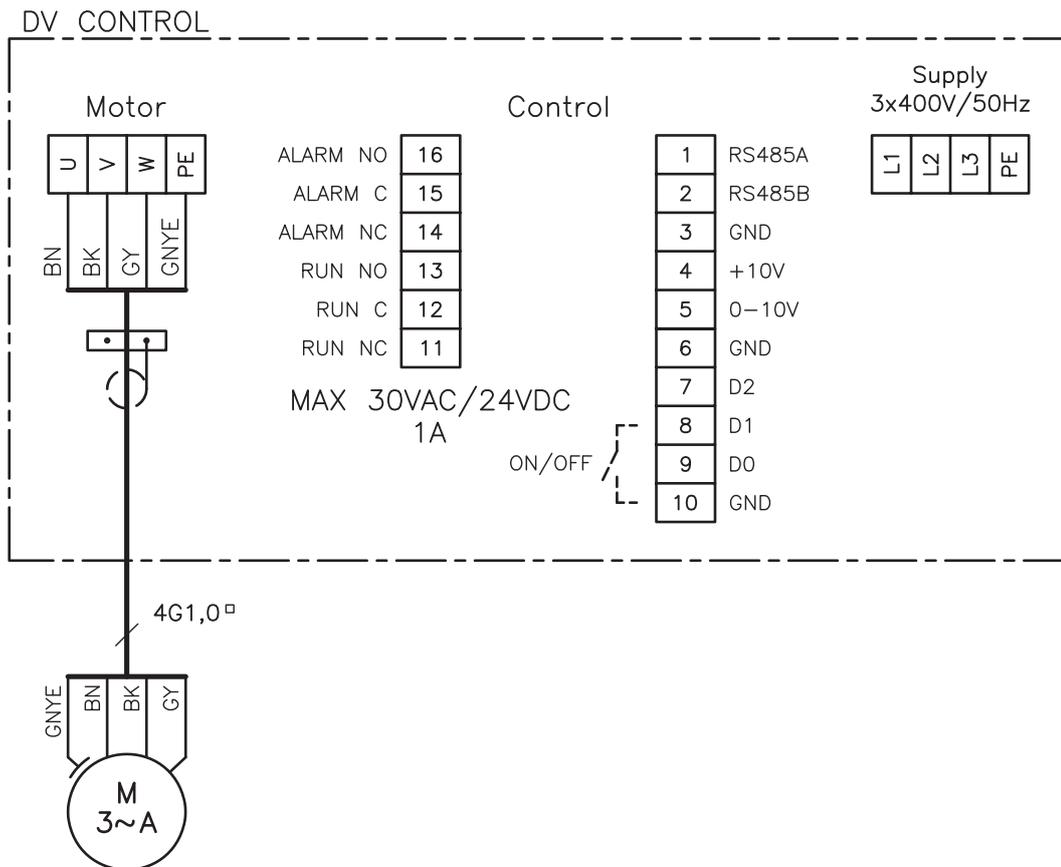
Example For example if three EC motors are installed, sharing 3-phases, the neutral current is the sum of the three motors' current.

Existing installations If you are fitting motors to an existing installation, check that the neutral conductor can cope with the resultant load.

1.4.1.3 BESB500-4-3EC

Cabletype Cables for control signals must be shielded.

Diagram



RD14173-01

Fig. 11

* Not supplied by EXHAUSTO.

Key to diagram

Terminal	Signal description	Comments
1	RS485 + (A)	
2	RS485 - (B)	
3	0 V DC (chassis)	
4	10 V DC	EFC1P panel 5
5	0-10 V DC	EFC1P panel 4
6	0 V DC (chassis)	EFC1P panel 3
7		
8	Start/stop	EFC1P panel 2
9		
10	0 V DC (chassis)	
11	Run NC	
12	Run C	
13	Run NO	
14	Alarm NC	
15	Alarm C	EFC1P panel B
16	Alarm NO	EFC1P panel A

Leakage current

The EC control produces a leakage current when running. The leakage current must be earthed, as there is a risk of the motor becoming live.

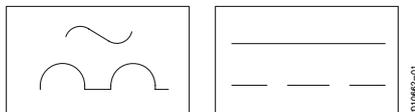
A leakage current of up to 150 mA can be generated.

To comply with EN50178, the fan must be suitably earthed.

Earth leak circuit breakers

If current earth leak circuit breakers are fitted in the installation, they must be of a type that meets the following requirements:

- PFI type B breaker according to EN 61008, that breaks the circuit when a vagrant current with DC content (pulsating DC) or smooth vagrant current is registered.
- The circuit breakers must be marked with the following symbols:

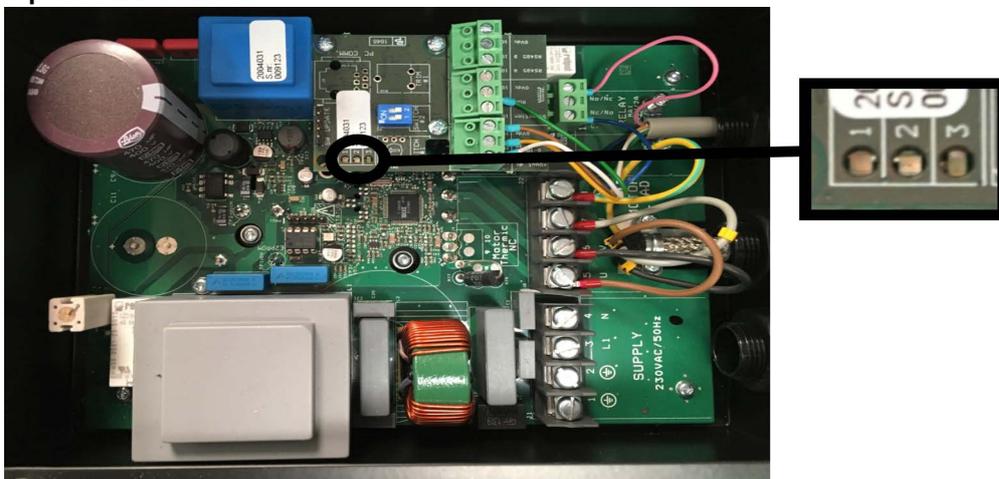


1.4.2 Fault finding 1-phase EC control

1-phase NOVA EC-control



1-phase EC-control



Diodes

- Diode 1: Red
- Diode 2: Yellow
- Diode 3: Green

Troubleshooting chart

- Green diode lights up: no errors
- Red diode lights up: there is an error. Alarm relay has been tripped.
- Yellow diode: blinks for error type

Error code	Green	Red	Yellow	Error	Relay
None	+	-	-		
1			Reserved	Not implemented	
2	-	+	Blinks twice/pause 4 seconds	Below voltage 170 v	+
3	-	+	Blinks 3 times/pause 4 seconds	Above voltage 255 v	+
4	+	-	Blinks 4 times/pause 4 seconds	Overcurrent: Reduced rpm	-
5			Reserved	Not implemented	
6	+	-	Blinks 6 times/pause 4 seconds	Overheating: Reduced rpm	-
7	-	+	Blinks 7 times/pause 4 seconds	Overheating: Stop	+
8	-	+	Blinks 8 times/pause 4 seconds	Hardware error	+

Error code	Green	Red	Yellow	Error	Relay
9	-	+	Blinks 9 times/pause 4 seconds	MCE Fault (IRF Chip general fault)	+
10	-	+	Blinks 10 times/pause 4 seconds	Motor blocked	+
11	-	+	Blinks 11 times/pause 4 seconds	Motor phase missing	+
12			Reserved	Not implemented	
13			Reserved	Not implemented	
14			Reserved	Not implemented	
15			Reserved	Not implemented	
16	-	+	Blinks 16 times/pause 4 seconds	Communication error	+

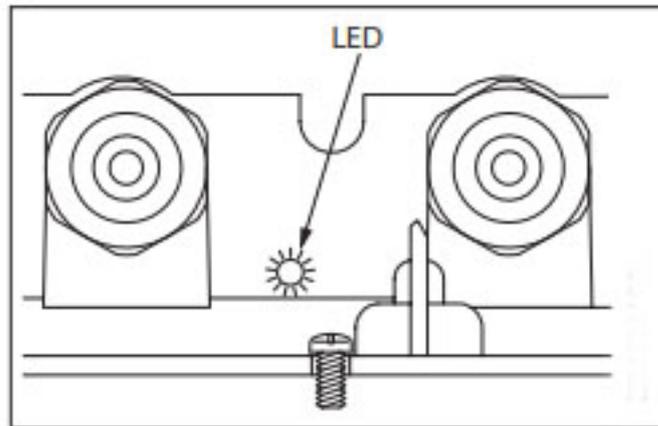
NB

When the error has been remedied, the LED indicator (LED blink) on the EC control can be reset by temporarily cutting the power until the LED goes out.

EXHAUSTO provides a two-year manufacturer's warranty on the fan.

1.4.3 Fault finding 3-phase EC control

3-phase DV-EC-control



LED indicator

The 3-phase DV-EC-control is equipped with a red-green LED indicator for showing different operating states. The LED is located on the underside of the control system next to the cable entry for the mains connection.

Troubleshooting chart

- Constant green when connected to mains
- Flashing green when Modbus communication is active.
- Constant red for at least one critical alarm.
- Flashing red for at least one non-critical alarm.

Accessory

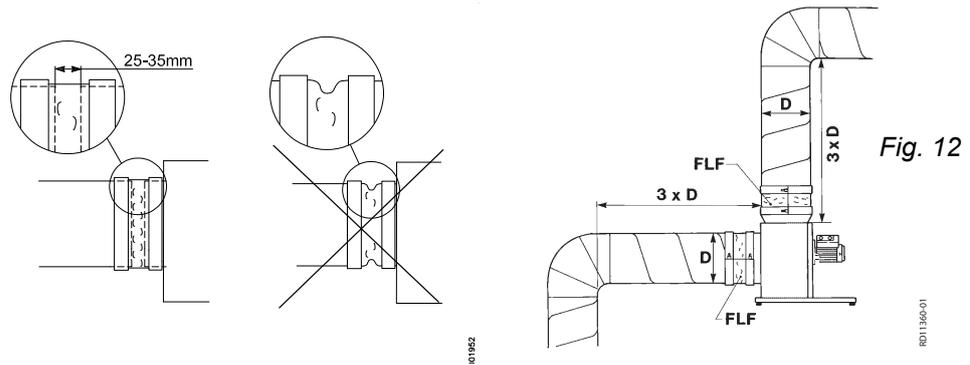
As an accessory you can buy a handheld terminal (4000692) for operation and alarm info.

1.5 Connecting to duct system:

Flexible connections

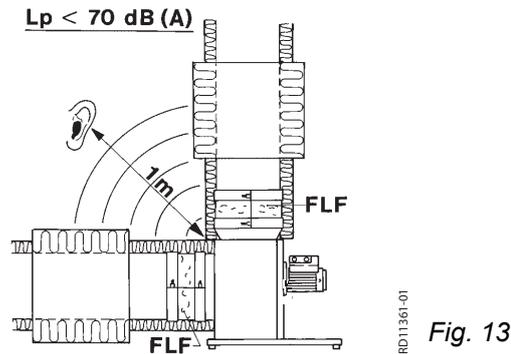
The ventilator must always be connected to the duct system with FLF, to avoid any chance of vibrations being transmitted. The spigots on the ventilator are standard-sized and fitted with rubber seals.

To achieve maximum performance with minimal energy consumption the ventilator should be connected to the duct system with the specified lengths of duct before and after the ventilator. The FLF connections must always be fitted as shown.



Sound pressure level

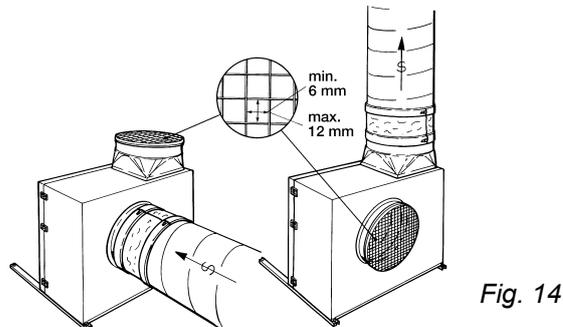
The ventilator is fitted with sound dampers suited to the requirements of the operating area. The sound pressure for all types of BESB/FSB is less than 70 dB (A). The duct system is insulated against sound propagation, heat loss, fire and condensation.



No Duct

A protective net (accessory) with mesh size of 12 mm must be fitted if the ventilator is not fitted to a duct. It should be noted that:

- such fittings result in a pressure drop in the system
- Air volume measurements cannot be measured correctly when there is no duct fitted on the suction side



1.6 Airflow measurement

The box ventilators, apart from model BESB/FSB250, have measuring points for determining air flow. A manometer is connected to the test points and the air flow (q_v) can be calculated by using the formula and diagrams.

Margin of error $< \pm 8\%$ of actual air flow with the duct system on the suction side is as shown on the diagrams.

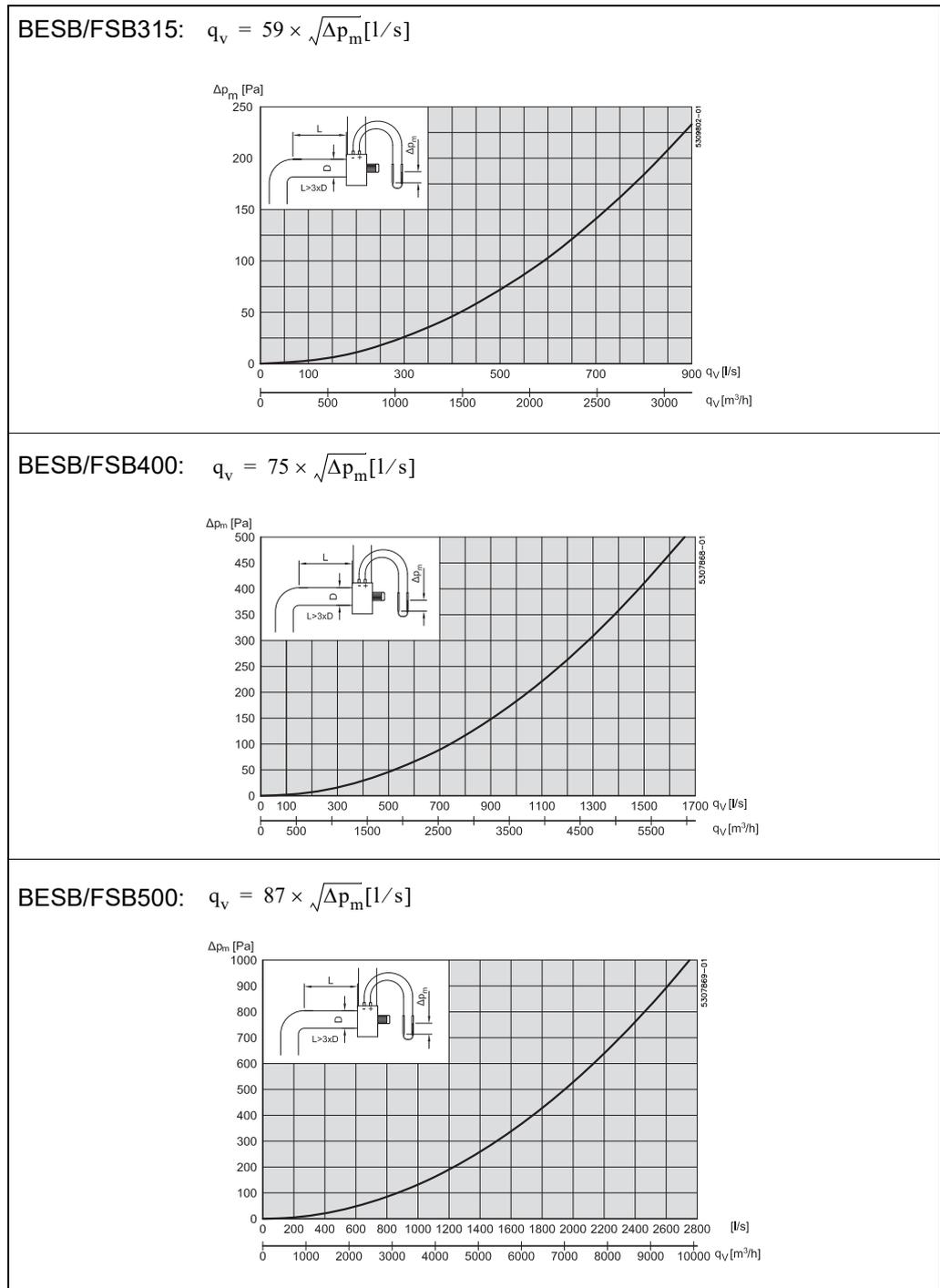
Calculations are based on the following conditions:

Temperature: 20°C

Density: 1.2 kg/m³

Pressure measurement, Δp_m [Pa], at 20°C

1 m³/s = 1000 l/s = 3600 m³/h

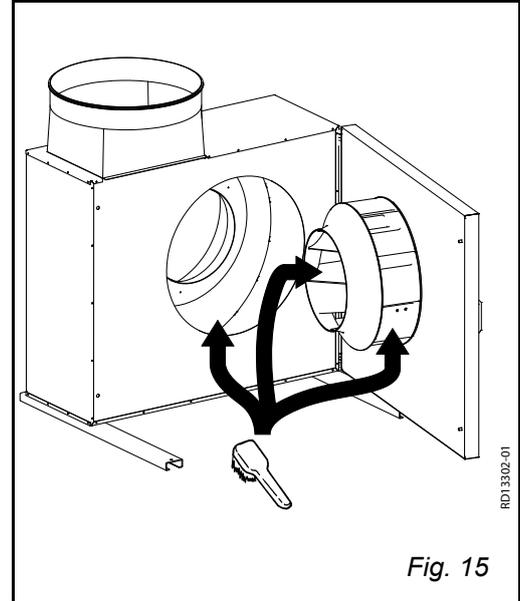


1.7 Service and cleaning

EXHAUSTO provides a two-year factory warranty on the box ventilator, valid from invoice date. The motor in an EXHAUSTO box ventilator is fitted with special ball bearings that are lubricated and sealed, and maintenance-free. Any replacement of these bearings should be carried out by technicians from EXHAUSTO SERVICE or similarly qualified professionals.

The ventilator must be cleaned at least once a year. To clean the ventilator:

- Switch off the power supply to the ventilator using the isolation switch. Open the service door when the fan has stopped running.
- Wash the ventilator housing and the centrifugal impeller thoroughly with soap and water. The parts must be dry and the service door closed before the ventilator is restarted.
- The centrifugal impeller can be dismantled and cleaned. Measure the exact position of the impeller on the axle before removing it. The factory position of the impeller is shown on the cabinet behind the service door. If there are weights on the centrifugal impeller do not remove them.
- Check that cooling air can move freely through the motor cover.



1.8 Environmental declaration

Product description

EXHAUSTO BESB/FSB is a an easily serviced radial fan with backward curved blades. The fan is insulated against fire, noise and heat with 50 mm of mineral wool. The fan impeller is directly mounted on the motor shaft, thus reducing losses and wear and resulting in lower repair costs.

Servicing and cleaning are performed by opening the hinged door for access to all parts in contact with the air. The motor is mounted outside the airstream.

The fan is supplied with mounting rails with vibration dampers. The fan is CE approved and EMC tested in accordance with the applicable directives.

Materials used

Cabinet, fan housing and mounting rails are made of recycleable hot-dip galvanised steel sheet. Fan impellers are made of recycleable pressure-cast aluminium. The insulation consists of mineral wool which can be recycled after dismantling the fan. The gaskets consist of CFC and HCFC free cellular rubber. The motor consists of aluminium, steel and copper, and in some cases a plastic cooling jacket. The packaging consists of corrugated cardboard and a wooden disposable pallet.

Materials in %

	BESB/ FSB250	BESB/ FSB315	BESB/ FSB400	BESB/ FSB500	BESB500 3-phase
Aluminium	11%	13%	14%	14%	14%
Fe	74%	70%	70%	70%	70%
Copper	1%	1%	1%	2%	2%
Mineral wool	9%	11%	12%	12%	12%
PCB; electronic components	3%	3%	2%	1%	2%
Plastic, cellular rubber	1%	1%	1%	1%	1%
Other	1%	1%	1%	< 1%	1%

1. DK - BESB/FSB - Produktvejledning

EXHAUSTO boxventilator BESB/FSB anvendes til transport af luft i indblæsnings- og udsugningsanlæg.



Ventilatoren må ikke anvendes til transport af faste partikler, eller hvor der er risiko for eksplosive gasarter.



Ventilatoren må ikke startes med åben servicelåge.

1.1 Opbygning

Beskrivelse

BESB/FSB findes i 4 størrelser og er en totaliseret og lyd-svag centrifugalventilator med bagudbøjede skovle (B-hjul) i støbt aluminium:

- BESB250-4-1EC/FSB250-4-1EC
- BESB315-4-1EC/FSB315-4-1EC
- BESB400-4-1EC/FSB400-4-1EC
- BESB500-4-1EC/FSB500-4-1EC
- BESB500-4-3EC

Ventilatoren består indvendigt af et ventilatorhus, som er isoleret, og udvendigt af et kabinet, begge dele af aluzink.

Hoved-

komponenter

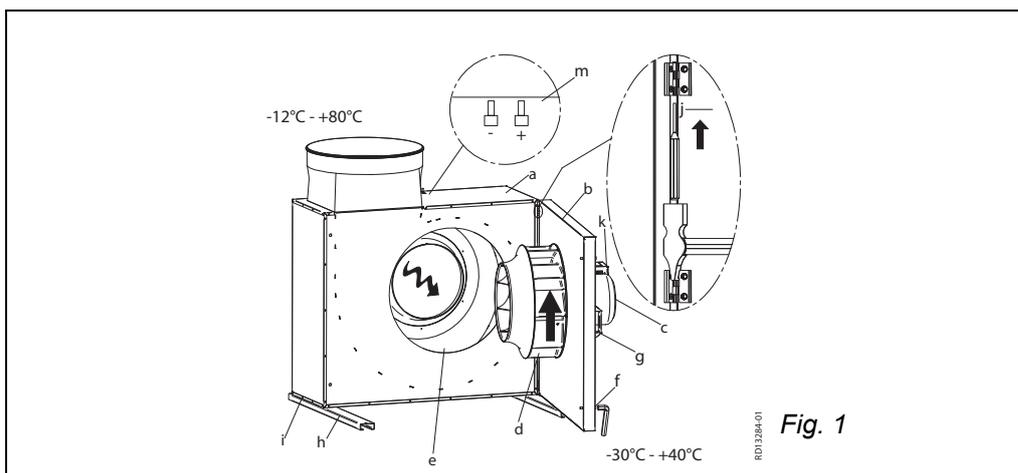


Fig. 1

Pos.	Part
a	Kabinet
b	Serviceåge
c	Motor
d	Centrifugalhjul (B-hjul)
e	Ventilatorhus
f	Låseskrue (værktøj medleveres)
g	Håndtag
h	Bæreskinne med svingningsdæmpere
i	Selvsikrings skrue
j	Hængsel
k	EC-styring/klemkasse
m	Målestudse til luftmængde måling (ikke BESB/FSB250)

Temperatur medie min.: -12°C max.: +80°C

Temperatur omgivelser, drift min.: -30°C max.: +40°C

1.2 Transport

Ventilatoren leveres emballeret og kan transporteres på træpalle. Efter udpakning skal ventilatoren transporteres og behandles således, at kabinettet og studse m.v. ikke deformeres, da dette kan forårsage berøring imellem roterende dele og heraf følgende behov for efterjustering/reparation.

Ved transport gennem trange passager ind til opstillingsstedet, er der mulighed for demontering af servicelågen som vist i afsnit 2.1" Opbygning".

Bemærk

Ventilatoren må ikke løftes i håndtaget på servicelågen.

Vægt

BESB/FSB	250	315	400	500	
(kg)	52	57	73	88	91(-3)

1.3 Montage

1.3.1 Indendørs placering



Ventilatoren kan indendørs monteres på forskellige måder (fig. 2).

Ved monteringsmetode B og D skal servicelågen kunne fastholdes i åben position ved servicering. Til dette formål kan leveres et sikkerhedsbeslag incl. monterings sæt som tilbehør.

Ved intermitterende drift, hvor der er risiko for kondensvand i motoren, må kun monteringsmetode A eller B benyttes.

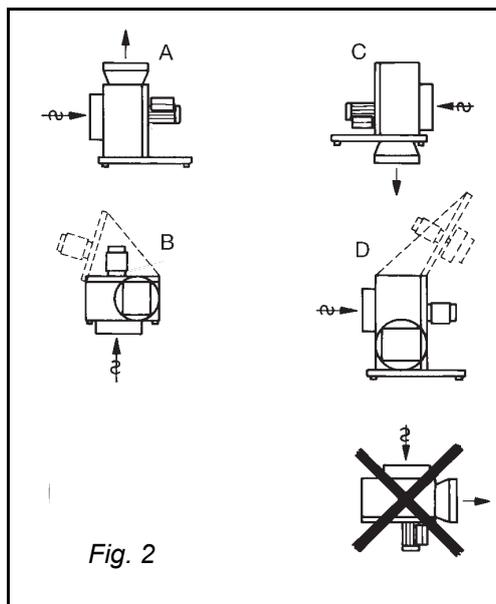


Fig. 2

Serviceadgang

Ved udvælgelse af den nøjagtige placering skal der være plads til, at servicelågen kan åbnes ca. 80° og der skal være adgang til låseskruerne.

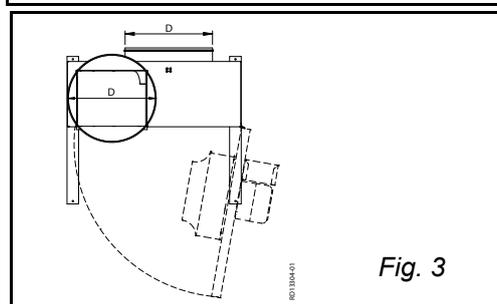


Fig. 3

Advarsel



Motoren må aldrig placeres lodret under kabinettet og desuden skal det sikres, at motor og EC-styring ikke tildækkes, da det vil kunne forårsage overophedning.

1.3.2 Udendørs placering (OD)



Hvis ventilatoren har typebetegnelsen OD er det en udendørs variant og kan anvendes til transport af luft i temperaturområdet op til 200°C. Desuden er varianten forsynet med afløb i monteringsmetode "A".

Ved udendørs montage skal monteringsmetode A eller B benyttes. Monteringsmetode C og D kræver en specialbygget ventilator - kontakt EXHAUSTO (fig. 4).

Alle udvendige samlinger samt studse er fuget for at forhindre vandindtrængning.

Kabinettets materialer opfylder kravene til klasse C4 iht. DS/EN ISO12 944.2 og er egnet til udendørs placering.

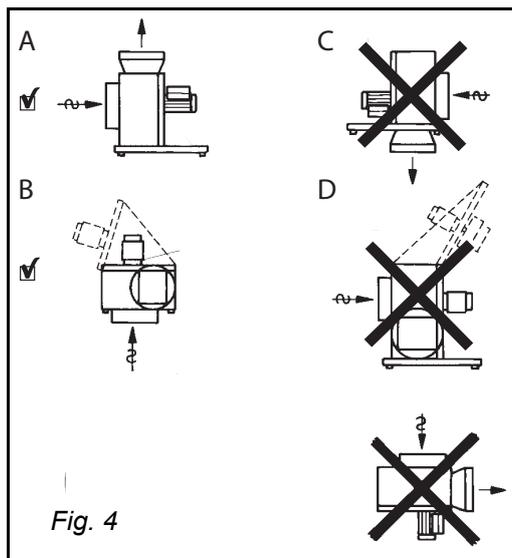


Fig. 4

Serviceadgang

Ved udvælgelse af den nøjagtige placering skal der være plads til, at servicelågen kan åbnes ca. 80° og der skal være adgang til låseskruerne.

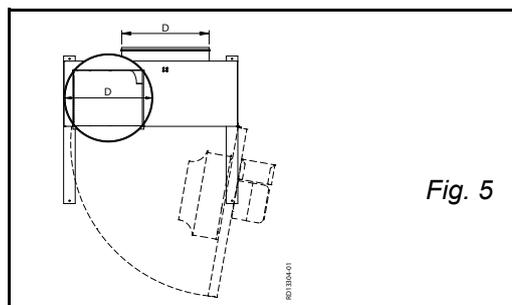


Fig. 5

1.3.3 Montage af bæreskiner

- Underlaget skal være plant, stabilt og svingningsdødt for at minimere overførslen af eventuelle svingninger fra ventilatoren. Anvend f.eks. en cementflise oven på en solid trækonstruktion.
- Monter bæreskinerne på kabinettet med de medleverede skruer. I monteringsmetode A er kabinettet forboret.
- **BESB/FSB 400 og 500:** Når monteringsmetode B (fig. 2/4) vælges til BESB/FSB 400 og 500, bores frihuller (Ø16 - Ø20) i kabinettet for møtrikkerne på bæreskinerne.
- Monter bæreskinerne mens ventilatoren ligger på træpallen af hensyn til transporten.
- Stil ventilatoren løst oven på underlaget. Den skal ikke fastspændes.

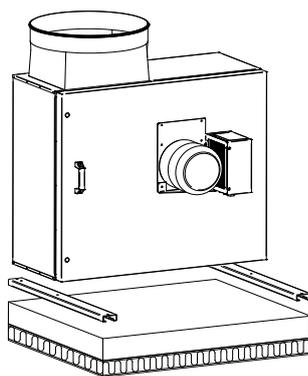


Fig. 6

1.4 EI-tilslutning

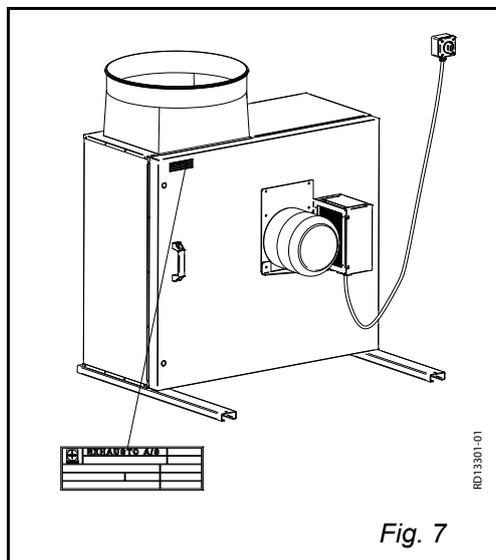
Generelt



EI-installationen skal foretages af autoriseret el-installatør.

Ventilator- og motorspecifikationer fremgår af de monterede typeskilte.

Max. forsikring = 13 Amp.



Hvis forsikringen er en	...skal den være med karakteristisk
smeltesikring	gG eller gM.
automatsikring	B eller C, og opfylde IEC 90947-2.

Max. kortslutningsstrøm er 10 kA

Ved opstart og indregulering af ventilationsanlægget er det vigtigt at kontrollere motorens omløbsretning, og at strømforbruget ikke overstiger mærkestrømmen på typeskiltet, da det vil medføre overbelastning af motoren.

Forsyningsadskiller



EXHAUSTO A/S gør opmærksom på, at der i henhold til Maskindirektivet (bilag 1) skal opsættes en forsyningsadskiller i den faste installation af ventilatoren.

Forsyningsadskilleren skal...

- være aflåselig, eller placeres synligt i nærheden af ventilatoren.
- kunne afbryde alle poler fra forsyningsspændingen
- kontaktafstand min. 3 mm i hver pol.
- udføres som forsyningsadskiller i hht. IEC 60947-1 eller IEC 60947-3

Forsyningsadskilleren er ikke en del af EXHAUSTO's leverance.

Lynafledning...

...skal ske i henhold til gældende love og bestemmelser.

1.4.1 Ventilatorer med EC-styring

- Generelt** Alle ventilatorer med typebetegnelsen "EC" er regulerbare via den indbyggede EC-styring.
- Kabler** De ledninger, der skal tilsluttes styresignal-indgangene, skal i hele deres længde have en forstærket isolering i forhold til forsyningledningerne.
- Bemærk** Pga. EMC-krav må kablet mellem EC-styringen og EC-motoren ikke forlænges.

ESD



Elektrikeren skal være ESD-beskyttet:

- når låget på EC-styringen demonteres

1.4.1.1 BESB250-4-1EC & BESB315-4-1EC

- Kabeltype** Kabler til styresignaler skal være med parsnoede ledere. Kabeltypen skal minimum være CAT5e Ethernet kabel.

Diagram

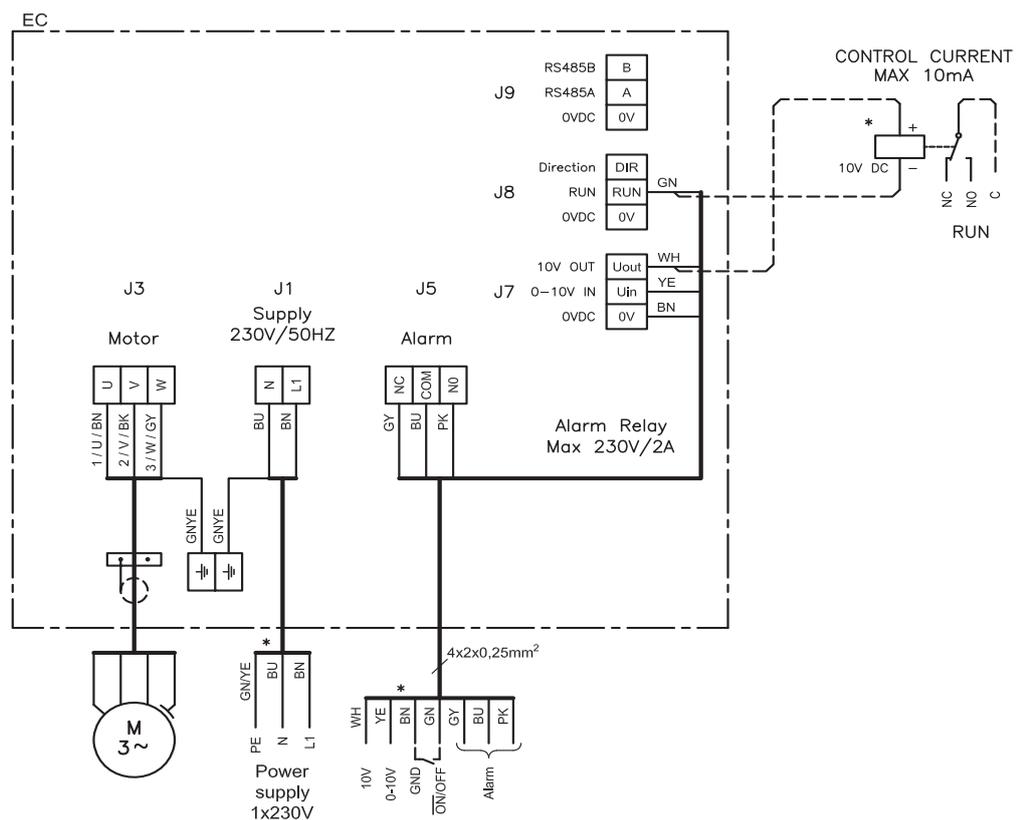


Fig. 8

RD14146-02

Forklaring til diagram

Klemrække	Klemme	Signalbeskrivelse
J9	B	RS485 - (B)
	A	RS485 +(A)
	0V	0 V DC (stel)
J8	DIR	Rotationsretning
	RUN	Start/stop
	0V	0 V DC (stel)
J7	U out	10V DC
	U in	0-10V DC
	0V	0 V DC (stel)
J5	NC	Alarm NC
	COM	Alarm C
	NO	Alarm NO

Placering af dipswiche

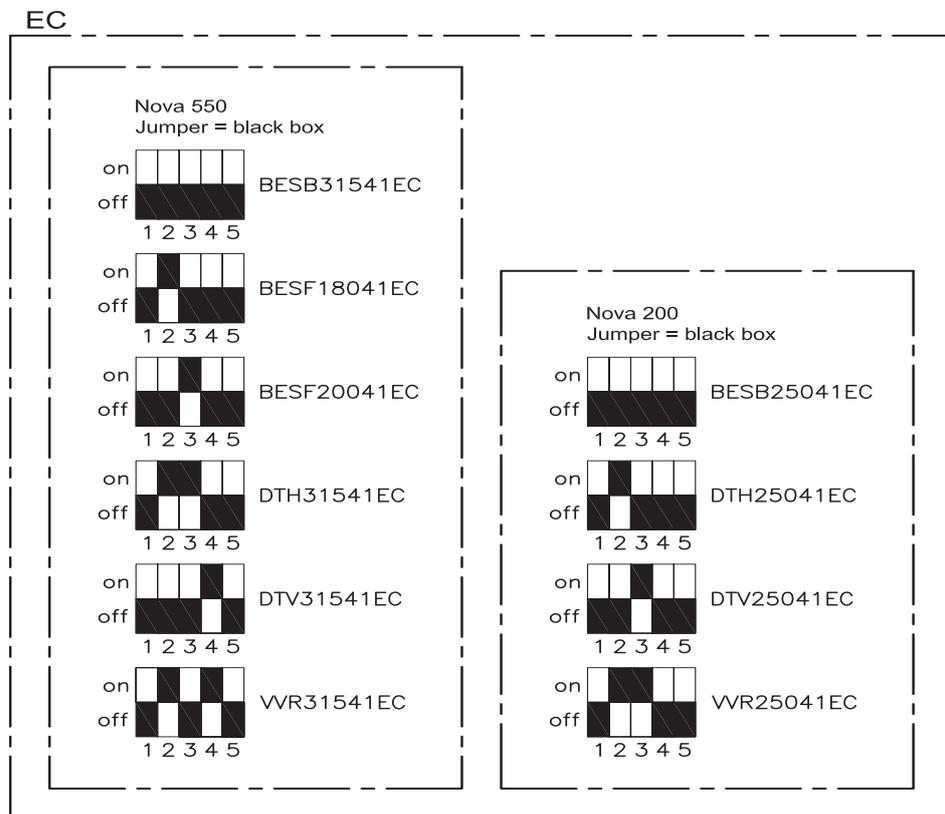


Fig. 9

1.4.1.2 FSB250-4-1EC, FSB315-4-1EC, BESB/FSB400-4-1EC & BESB/FSB500-4-1EC

Kabeltype Kabler til styresignaler skal være skærmede.

Diagram

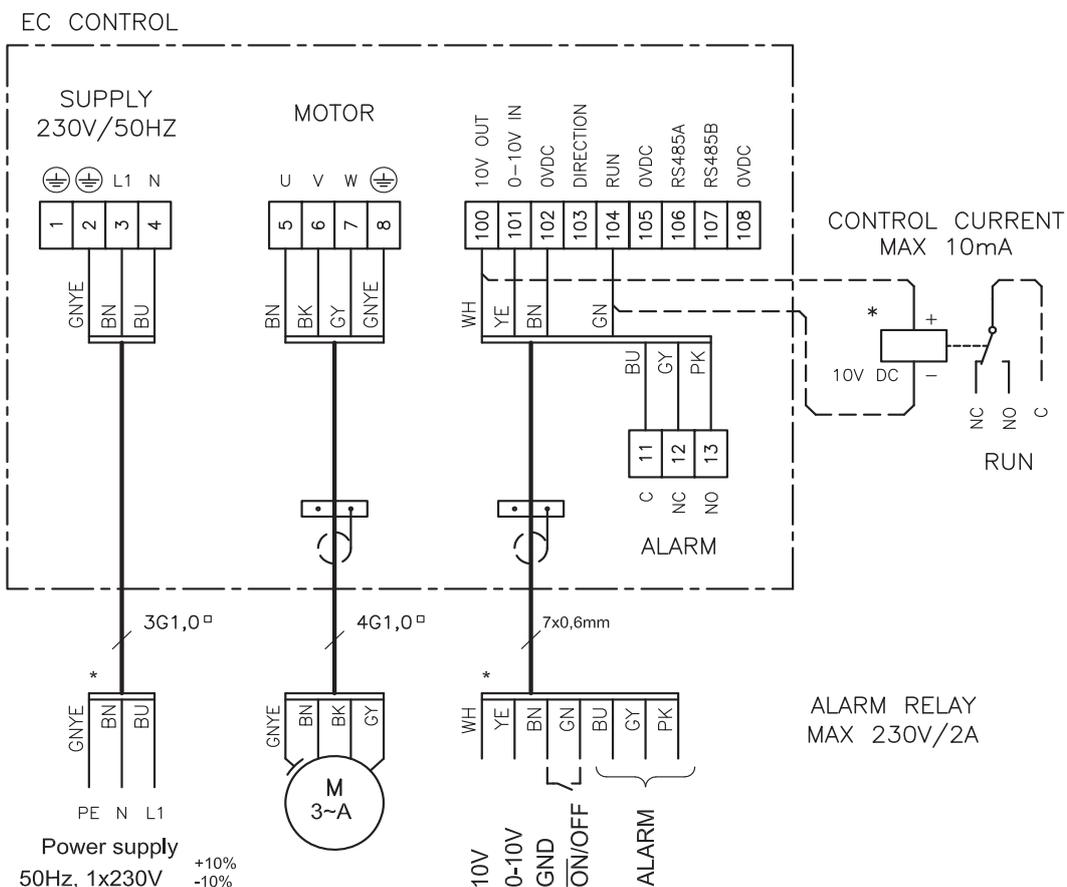


Fig. 10

* Ikke EXHAUSTO leverance.

Forklaring til diagram

Klemme	Signalbeskrivelse
100	10 V DC
101	0-10 V DC
102	0 V DC (stel)
103	Rotationsretning
104	Start/stop
105	0 V DC (stel)
106	RS485 + (A)
107	RS485 - (B)
108	0 V DC (stel)
11	Alarm C
12	Alarm NC
13	Alarm NO

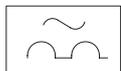
Lækstrøm EC-styringen afgiver under drift en lækstrøm som er mindre end 3,5 mA. Lækstrømmen

RD13274-07

skal ledes til jord, da der ellers er risiko for, at motoren bliver spændingsførende.

Fejlstrømsrelæer Hvis der monteres fejlstrømsafbrydere i installationen, skal disse være af en type, som overholder følgende krav:

- PFI-afbryder type A i henhold til EN 61008, som afbryder, når der registreres fejlstrømme med DC indhold (pulserende jævnstrøm)
- Fejlstrømsafbryderne skal være mærket med følgende symbol:



Krav Udkoblingstid på max. 0,3 sekunder

Dimensionering af nulleleder Ved installation af flere 1-fasede BESB/FSB med EC i net med fælles nulleleder, stilles der særlige krav til nullelederdimensionen, da den optagne strøm ikke er sinusformet.

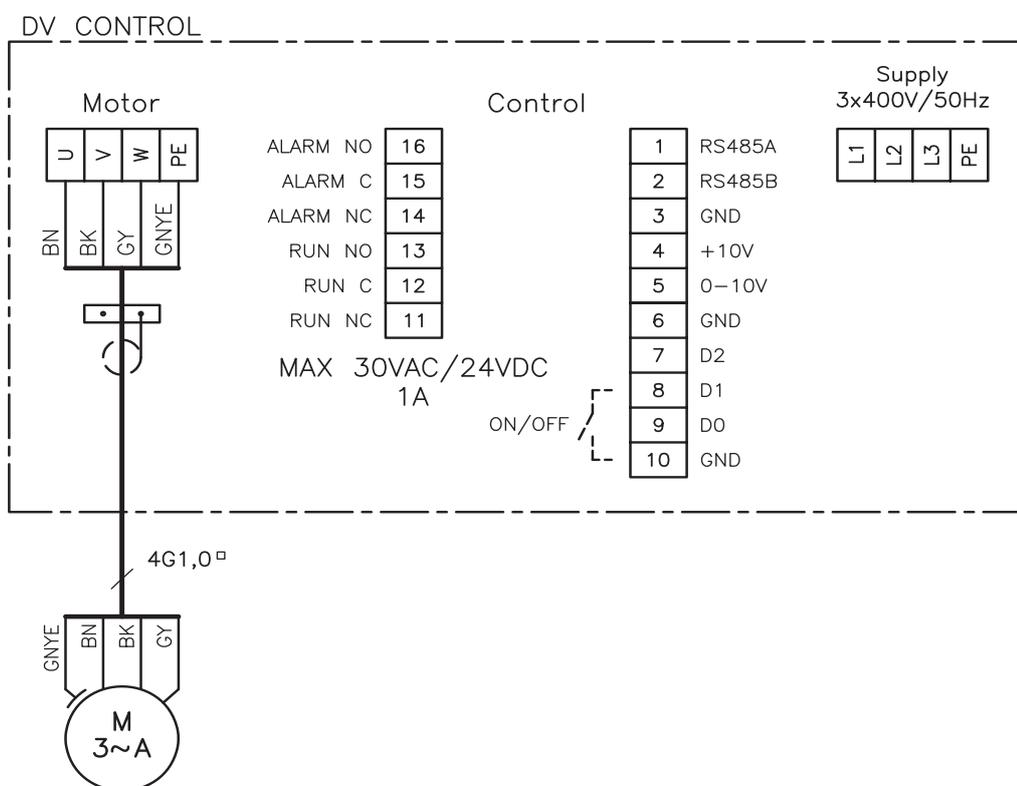
Eksempel Installerer f.eks. 3 EC-motorer fordelt på 3 faser, er nulstrømmen lig med summen af de 3 motorers strømme.

Eksisterende installation Tilsluttes motorerne en eksisterende installation, skal det undersøges, om nullederen kan klare belastningen.

1.4.1.3 BESB500-4-3EC

Kabeltype Kabler til styresignaler skal være skærmede.

Diagram



RD14173-01

Fig. 11

Forklaring til diagram

* Ikke EXHAUSTO leverance.

Klemme	Signalbeskrivelse	Bemærkninger
1	RS485 + (A)	
2	RS485 - (B)	
3	0 V DC (stel)	
4	10 V DC	EFC1P panel 5
5	0-10 V DC	EFC1P panel 4
6	0 V DC (stel)	EFC1P panel 3
7		
8	Start/stop	EFC1P panel 2
9		
10	0 V DC (stel)	
11	Run NC	
12	Run C	
13	Run NO	
14	Alarm NC	
15	Alarm C	EFC1P panel B
16	Alarm NO	EFC1P panel A

Lækstrøm

EC-styringen afgiver under drift en lækstrøm. Lækstrømmen skal ledes til jord, da der ellers er risiko for, at motoren bliver spændingsførende.

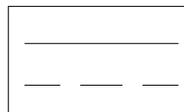
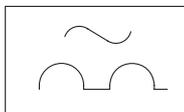
Der kan forekomme en lækstrøm på op til 150 mA.

For at overholde EN50178 skal ventilatoren tilsluttes forstærket jord.

Fejlstrømsrelæer

Hvis der monteres fejlstrømsafbrydere i installationen, skal disse være af en type, som overholder følgende krav:

- PFI-afbryder type B i henhold til EN 61008, som afbryder, når der registreres fejlstrømme med DC indhold (pulserende jævnstrøm) og glatte fejlstrømme
- Fejlstrømsafbryderne skal være mærket med følgende symboler:



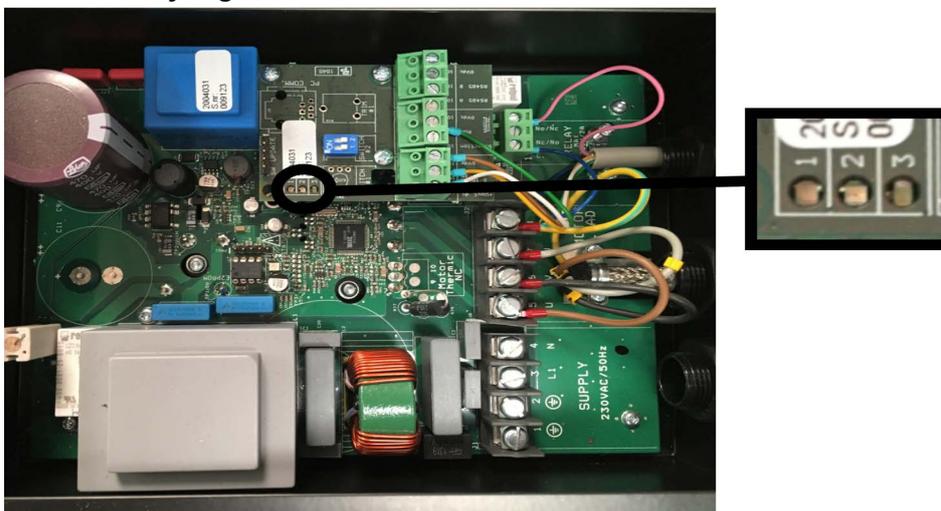
RD10482-01

1.4.2 Fejlfinding for 1-faset EC styring

1-faset NOVA EC-styring



1-faset EC-styring



Dioder

- Diode 1: Rød
- Diode 2: Gul
- Diode 3: Grøn

Fejlfindings skema

- Grøn diode lyser: ingen fejl
- Rød diode lyser: der er fejl, Alarm relæ trækker
- Gul diode: blinker for fejltyp

Fejl. kode	Grøn	Rød	Gul	Fejl	Relæ
Ingen	+	-	-		
1			Reseveret	Ikke implementeret	
2	-	+	2 gange/pause 4 sekunder	Under spænding 170 v	+
3	-	+	3 gange/pause 4 sekunder	Over spænding 255 v	+
4	+	-	4 gange/pause 4 sekunder	Over strøm: Reduceret omdrejningstal	-
5			Reseveret	Ikke implementeret	

Fejl. kode	Grøn	Rød	Gul	Fejl	Relæ
6	+	-	6 gange/pause 4 sekunder	Overhedning: Reduceret omdrejningstal	-
7	-	+	7 gange/pause 4 sekunder	Overhedning: Stop	+
8	-	+	8 gange/pause 4 sekunder	Hardware fejl	+
9	-	+	9 gange/pause 4 sekunder	MCE Fault (IRF Chip general fault)	+
10	-	+	10 gange/pause 4 sekunder	Motor blokeret	+
11	-	+	11 gange/pause 4 sekunder	Motor fase mangler	+
12			Reseveret	Ikke implementeret	
13			Reseveret	Ikke implementeret	
14			Reseveret	Ikke implementeret	
15			Reseveret	Ikke implementeret	
16	-	+	16 gange/pause 4 sekunde	Kommunikations fejl	+

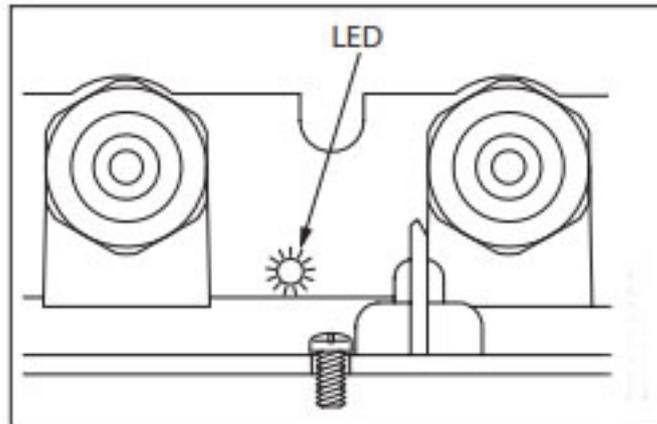
Bemærk

Når fejlen er afhjulpnet, kan indikatoren (diode blink) på EC-styringen afstilles ved at afbryde forsyningsspændingen midlertidigt indtil dioden slukkes.

EXHAUSTO yder 2 års fabriksgaranti på ventilatoren.

1.4.3 Fejlfinding for 3-faset EC styring

3-faset DV-EC-styring



LED-indikeringer

- 3-faset DV-EC-styring er forsynet med en 2-farvet hhv. grøn og rød LED indikering af forskellige driftstilstande.
- LED er placeret på undersiden af styringen ved siden af kabelindføring til nettilslutning.

Fejlfinding

- Konstant grøn ved tilsluttet netspænding
- Blinker grønt ved aktiv Modbus-kommunikation.
- Konstant rød ved mindst én kritisk alarm.
- Blinker rødt ved mindst én ikke-kritisk alarm.

Tilbehør

- Som tilbehør kan købes håndterminal (4000692) til betjening og alarm info.

1.5 Kanaltilslutning

Fleksible forbindelser

Ventilatoren skal altid tilsluttes kanalsystemet via fleksible forbindelser FLF for at undgå overførsel af eventuelle vibrationer. Studsene på ventilatoren er i standard dimension og monteret med gummitætning.

For at opnå maksimal ydelse og minimalt energiforbrug skal ventilatoren tilsluttes kanalsystemet med de angivne længder lige kanal før og efter ventilatoren. Der skal altid monteres flexible forbindelser FLF på den viste måde.

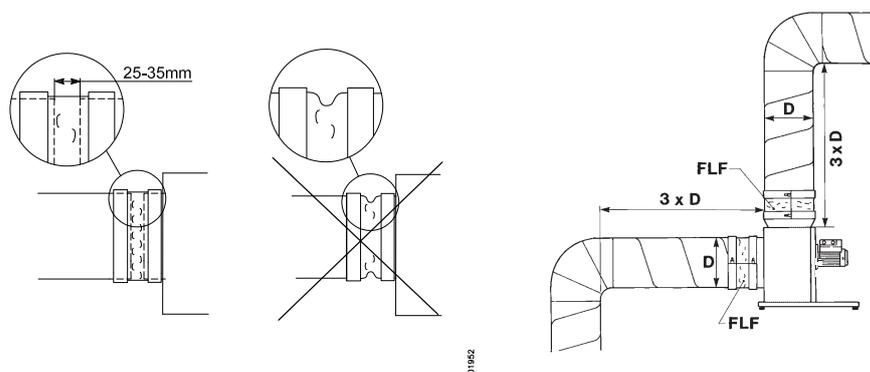


Fig. 12

Lydtrykniveau

Ventilatoren monteres med lyddæmpere iht. kravene i betjeningsområdet. Lydtrykniveauet til omgivelserne er for alle typer BESB/FSB under 70 dB(A). Af hensyn til lydudtrængning, varmetab, brand og kondensation skal kanalsystemet isoleres.

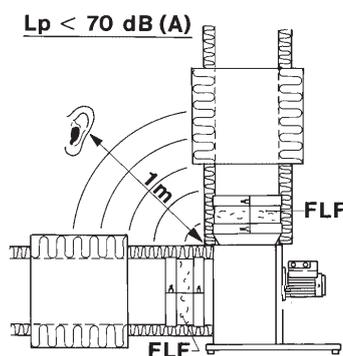


Fig. 13

Uden kanaltilslutning

Hvis ventilatoren opstilles uden kanaltilslutning, skal der monteres beskyttelsesnet (tilbehør) med største maskevidde på 12 mm. Der gøres endvidere opmærksom på:

- at disse tilslutningsmåder giver systemtryktab.
- at luftmængdemålingen ikke virker korrekt, hvis der ikke er monteret kanaler på sugesiden.

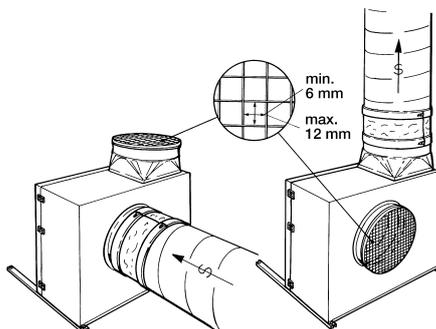


Fig. 14

1.6 Luftmængdemåling

Boxventilatorerne er forsynet med indbyggede målepunkter for luftmængdemåling (dog ikke BESB/FSB250). Målepunkterne tilsluttes et manometer og luftmængden (qv) kan derefter beregnes ved hjælp af formel eller ved aflæsning på diagrammerne. Målefejl $\pm 8\%$ af aktuel luftmængde når kanalsystemet på sugesiden udformes som vist på skitsen på diagrammerne.

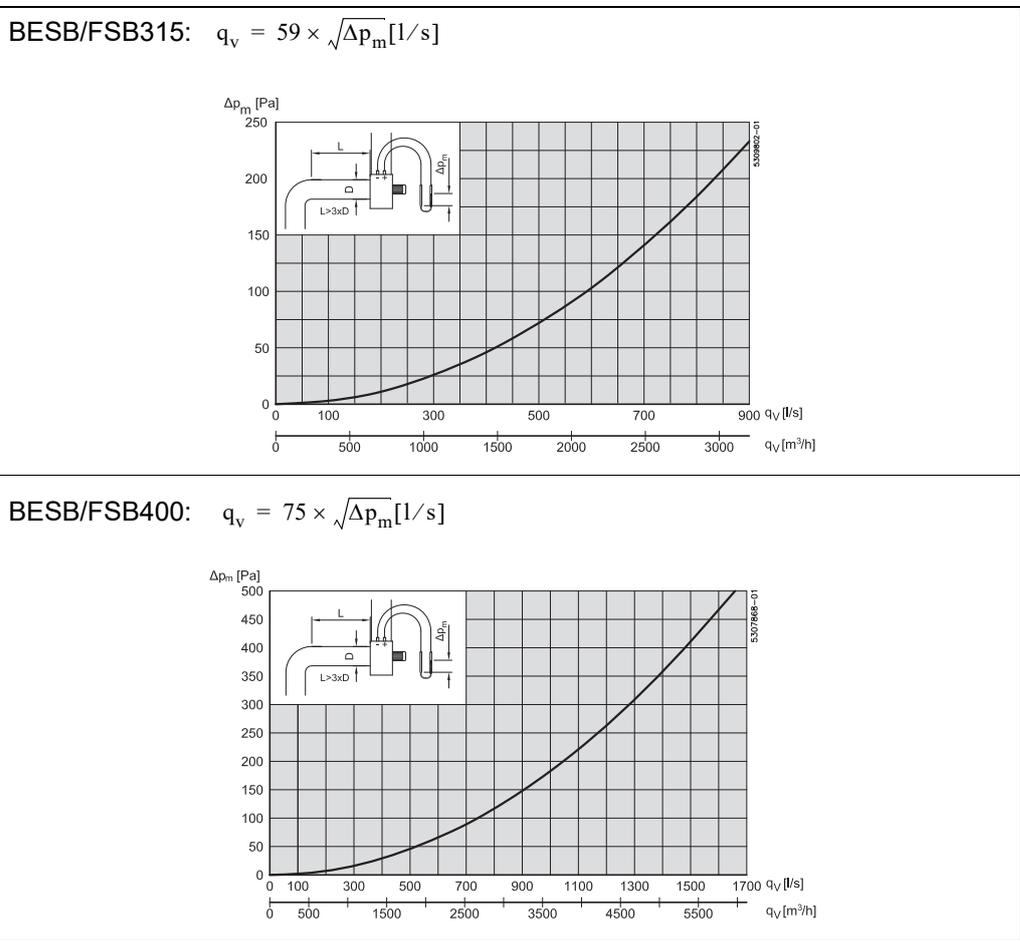
Forudsætninger for diagrammer og formler:

Temperatur: 20°C

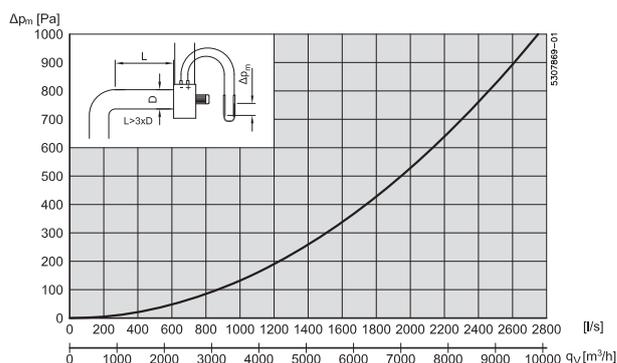
Densitet: 1,2 kg/m³

Trykmåling, Δp_m [Pa], ved 20°C

1 m³/s = 1000 l/s = 3600 m³/h



$$\text{BESB/FSB500: } q_v = 87 \times \sqrt{\Delta p_m} [\text{l/s}]$$



1.7 Service og rengøring

EXHAUSTO yder 2 års fabriksgaranti på ventilatoren fra fakturadato. Motoren i EXHAUSTO boxventilator BESB/FSB har engangssmurte, lukkede specialkuglelejer, som er vedligeholdelsesfri. Eventuel udskiftning af lejer bør kun udføres af EXHAUSTO SERVICE eller tilsvarende fagekspertise.

Rengøring af ventilatoren foretages efter behov, dog minimum hver 12. måned, på følgende måde:

- Afbryd strømmen til ventilatoren på forsyningsadskilleren. Åbn først servicelågen når rotationen er ophørt.
- Vask ventilatorhus og centrifugalhjul grundigt med sæbevand. Delene skal være tørre inden genopstart af ventilatoren, og servicelågen skal være lukket.
- Centrifugalhjulet kan demonteres og renses. Mål hjulets nøjagtige placering på akslen inden demontering. Hjulets placering fra fabrik er angivet på kabinettet bag ved servicelågen. Evt. afvejningsklodser på centrifugalhjulet må ikke fjernes.
- Kontrollér at der er fri adgang for køleluft igennem kølekappen på motoren.

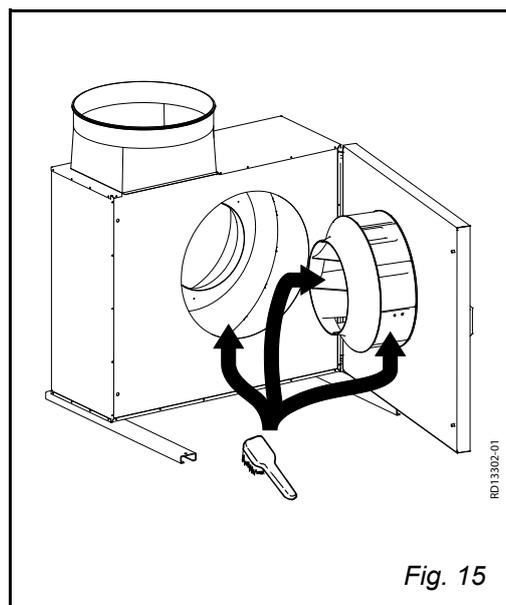


Fig. 15

1.8 Miljødeklaration

Produktbeskrivelse EXHAUSTO BESB/FSB er en let servicérbar radialventilator med bagud rettede skovle. Ventilatoren er brand, lyd og varmeisoleret med 50 mm mineraluld. Ventilatorhjulet er direkte monteret på motorakslen hvilket mindsker tab og indebærer færre sliddele og deraf færre reparationsomkostninger.

Service og rengøring sker ved at åbne den hænslede låge, derved fås adgang til alle dele der er i kontakt med luften. Motoren er monteret udenfor luftstrømmen.

Til ventilatoren medleveres støtteskiner med vibrationsdæmpere. Ventilatoren er CE-godkendt og EMC testet i henhold til gældende direktiver.

Indgående materialer

Ventilatorhus, snegl, støtteskiner er lavet af varmgalvaniseret stålplade som kan genindvindes. Ventilatorhjul er lavt af trykstøbt aluminium som kan genindvindes. Isoleringen består af mineraluld, som kan genbruges ved demontering af ventilatoren. Tætningslister består af CFC og HCFC frit cellegummi. Motoren består af aluminium, stål og kobber og eventuelt en plast kølekappe. Emballage består af bølgepap samt engangspalle i træ.

Materialer i %

	BESB/ FSB250	BESB/ FSB315	BESB/ FSB400	BESB/ FSB500	BESB500 3-faset
Aluminium	11%	13%	14%	14%	14%
Fe	74%	70%	70%	70%	70%
Kobber	1%	1%	1%	2%	2%
Mineraluld	9%	11%	12%	12%	12%
Print; elektronik komponenter	3%	3%	2%	1%	2%
Plast, celle gummi	1%	1%	1%	1%	1%
Øvrigt	1%	1%	1%	< 1%	1%

1. DE - BESB/FSB - Betriebsanleitung

Der Boxventilator BESB/FSB von EXHAUSTO wird zur Luftförderung in Zuluft- und Abluftanlagen eingesetzt.



Der Ventilator darf nicht zur Förderung von Festpartikeln oder in Bereichen mit Risiko für explosive Gase benutzt werden.



Der Ventilator darf nicht bei offener Wartungstür eingeschaltet werden.

1.1 Aufbau

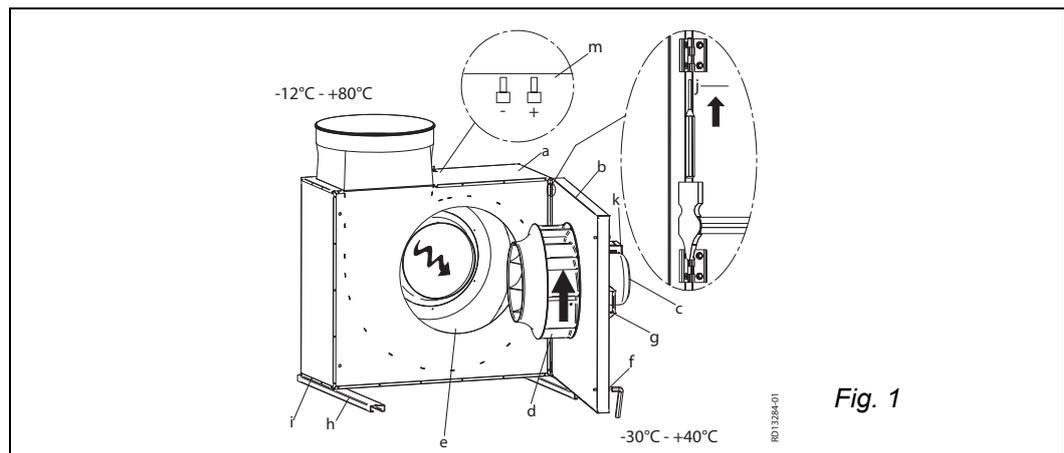
Beschreibung

Der Boxventilator BESB/FSB wird in vier Größen hergestellt und ist ein vollisolierter und geräuscharmer Zentrifugalventilator mit rückwärts gekrümmten Schaufeln (B-Rad) aus Gussaluminium:

- BESB250-4-1EC/FSB250-4-1EC
- BESB315-4-1EC/FSB315-4-1EC
- BESB400-4-1EC/FSB400-4-1EC
- BESB500-4-1EC/FSB500-4-1EC
- BESB500-4-3EC

Der Ventilator besteht aus einem isolierten Ventilatorgehäuse mit einem Außengehäuse, beide aus Aluzink.

Hauptbauteile



Pos.	Bauteil
a	Gehäuse
b	Wartungstür
c	Motor
d	Zentrifugalrad (B-Rad)
e	Ventilatorgehäuse
f	Verschlusschraube (Werkzeug mit geliefert)
g	Handgriff
h	Tragschiene mit Schwingungsdämpfern
i	Selbstschneidende Schraube
j	Scharnier
k	EC-Automatik/Klemmenkasten
m	Messstutzen zur Luftmengenmessung (nicht BESB/FSB250)

Temperatur Medium min.: -12°C max.: +80°C

Temperatur Umgebung, Betrieb min.: -30°C max.: +40°C

1.2 Transport

Der Ventilator wird verpackt geliefert und lässt sich auf einer Holzpalette transportieren. Nach dem Auspacken ist beim Transport und Handling des Ventilators darauf zu achten, dass Gehäuse, Stützen u.a.m. nicht deformiert werden, da dies zu Berührungskontakt mit rotierenden Bauteilen und dadurch erforderlicher Nacheinstellung bzw. Reparatur führen kann.

Zwecks Transport durch enge Passagen zum Aufstellort lässt sich die Wartungstür demontieren, wie in Abschnitt 2.1 "Aufbau" dargestellt.

Hinweis

Der Ventilator darf nicht am Handgriff an der Wartungstür gehoben werden.

Gewicht

BESB/FSB	250	315	400	500	
(kg)	52	57	73	88	91(-3)

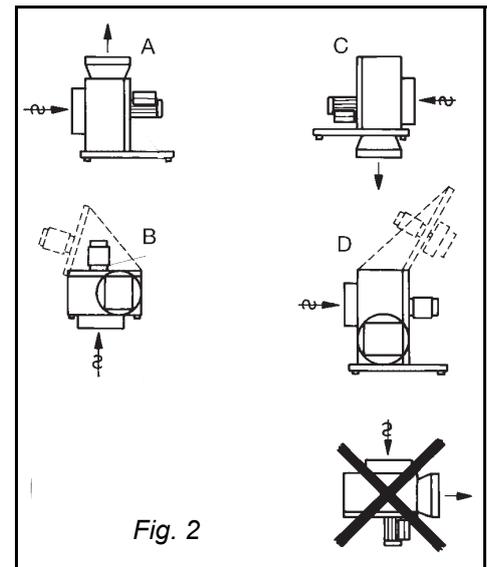
1.3 Montage

1.3.1 Aufstellung in Innenräumen



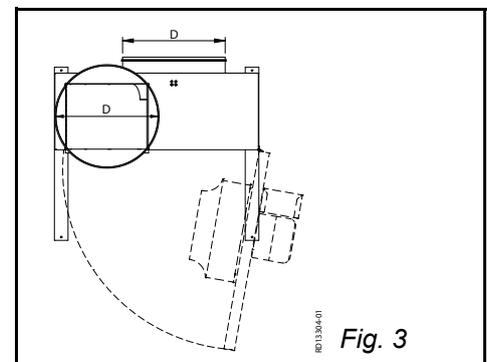
Der Ventilator lässt sich auf verschiedene Weise in Innenräumen aufstellen (Abb. 2). Bei den Montageverfahren B und D muss sich die Wartungstür während Wartungsarbeiten in offener position arretieren lassen. Zu diesem Zweck ist ein Sicherheitsbeschlag einschl. Montagesatz als Zubehör lieferbar.

Bei intermittierendem Betrieb, wo Risiko für Kondenswasser im Motor besteht, dürfen ausschliesslich Montagemethode A oder B angewendet werden.



Zugang für Wartung

Bei der Wahl der genauen Positionierung ist auf genügend Platz zu achten, damit die Wartungstür etwa 80° geöffnet werden kann, und die Verschlusschrauben müssen zugänglich sein.



Achtung!



Der Motor darf nie senkrecht unter dem Gehäuse angeordnet werden. Außerdem muss sichergestellt werden, dass weder, Motor noch ein etwaiger Frequenzwandler verdeckt werden, da dies zu Überhitzung führen könnte.

1.3.2 Aufstellung im Freien (OD)

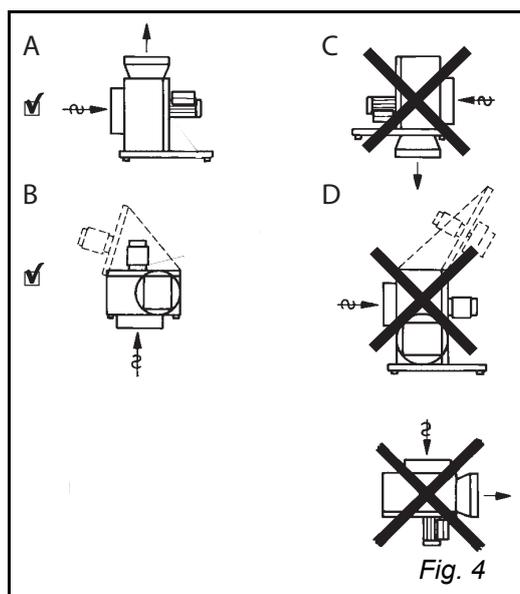


Hat der Ventilator die Typenbezeichnung OD ist er für die Aufstellung im Freien konstruiert und kann für Transport von Luft im Temperaturbereich bis zu 200 G verwendet werden. Diese Variante ist auch mit Kondensatablauf bei Montagemethode "A" versehen.

Bei der Aufstellung im Freien ist Montageverfahren A oder B zu benutzen (Abb. 4).

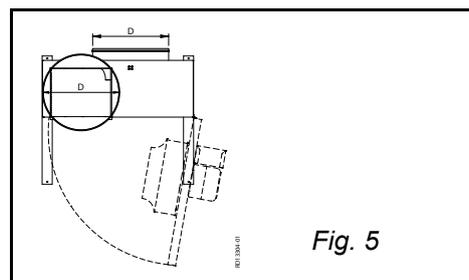
Alle äußeren Verbindungsstellen und Stutzen sind zum Schutz gegen Wassereindringung verfügt.

Die Werkstoffe des Gehäuses entsprechen der Klasse C4 gemäß DS/EN ISO12 944.2 und sind für die Aufstellung im Freien geeignet.



Zugang für Wartung

Bei der Wahl der genauen Positionierung ist auf genügend Platz zu achten, damit die Wartungstür etwa 80° geöffnet werden kann, und die Verschlusschrauben müssen zugänglich sein.



1.3.3 Montage von Tragschienen

- Die Unterlage muss eben, stabil und schwingungsfrei sein, um die Übertragung etwaiger Schwingungen vom Ventilator auf ein Minimum zu reduzieren. Beispielsweise kann eine Zementfliese auf einer soliden Holzkonstruktion benutzt werden.
- Die Tragschienen mit den mitgelieferten Schrauben am Gehäuse montieren. Für das Montageverfahren A enthält das Gehäuse vorgebohrte Löcher.
- **BESB/FSB 400 und 500:** Wenn das Montageverfahren B (Abb. 2/4) für BESB/FSB 400 und 500 gewählt wird, müssen Löcher (Ø16 - Ø20) für die Muttern an den Tragschienen im Gehäuse gebohrt werden.
- Wegen des Transports müssen die Tragschienen montiert werden, während sich der Ventilator noch auf der Holzpalette befindet.
- Den Ventilator auf die Unterlage stellen. Er muss nun nicht mehr weiter befestigt werden.

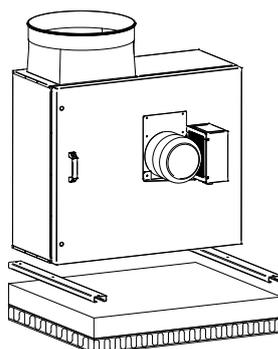


Fig. 6

1.4 Elektrischer Anschluss

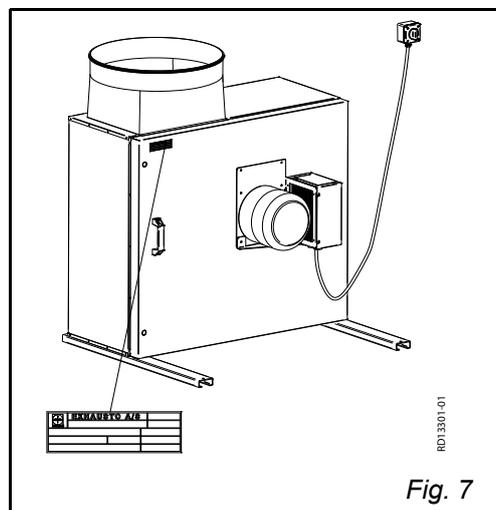
Allgemein



Die Elektroinstallation muss von einer Fachkraft ausgeführt werden.

Die technischen Daten des Ventilators und des Motors gehen aus dem Typenschild des Gerätes hervor.

Max. Vorsicherung = 13 Amp..



Wenn die Vorsicherung vom folgenden Typ ist,	... ist die vorgeschriebene Betriebsklasse
Schmelzsicherung	gG oder gM.
Sicherungsautomat	B oder C, und die Anforderungen von IEC 90947-2 sind einzuhalten.

Der max. Kurzschlussstrom beträgt 10 kA

Bei Inbetriebnahme und Einregelung der Lüftungsanlage ist es wichtig, die Drehrichtung, sowie die Stromaufnahme des Motors, zu kontrollieren. Der auf dem Typenschild angegebene Nennstrom darf nicht überschritten werden, da dies zur Überlastung des Motors führt.

Versorgungstrennung



Die EXHAUSTO A/S weist darauf hin, dass die Richtlinie Maschine (Anlage 1) die Montage einer Versorgungstrennung bei der festen Installation des Ventilators zwingend vorschreibt.

Die Versorgungstrennung muss:

- abschließbar sein oder sichtbar in der Nähe des Ventilators angeordnet werden.
- alle Pole von der Versorgungsspannung unterbrechen können
- Kontaktabstand mind. 3 mm bei jedem Pol,
- als Versorgungstrennung gemäß IEC 60947-1 oder IEC 60947-3 ausgeführt sein.

Die Versorgungstrennung ist nicht von der EXHAUSTO-Lieferung umfasst.

Blitzableitung ...

... ist nach den geltenden gesetzlichen Vorschriften auszuführen.

1.4.1 Ventilatoren mit EC-Automatik

Allgemein Alle Ventilatoren mit der Typenbezeichnung "EC" sind durch den eingebauten EC-Automatik regelbar.

Kabel Die an die Steuersignaleingänge anzuschließenden Leitungen müssen über ihre gesamte Länge mit einer verstärkten Isolierung im Verhältnis zum Versorgungsleitungen ausgerüstet sein.

Hinweis Wegen EMV-Anforderungen darf das Kabel zwischen der EC-Steuerung und dem ECMotor nicht verlängert werden.

ESD



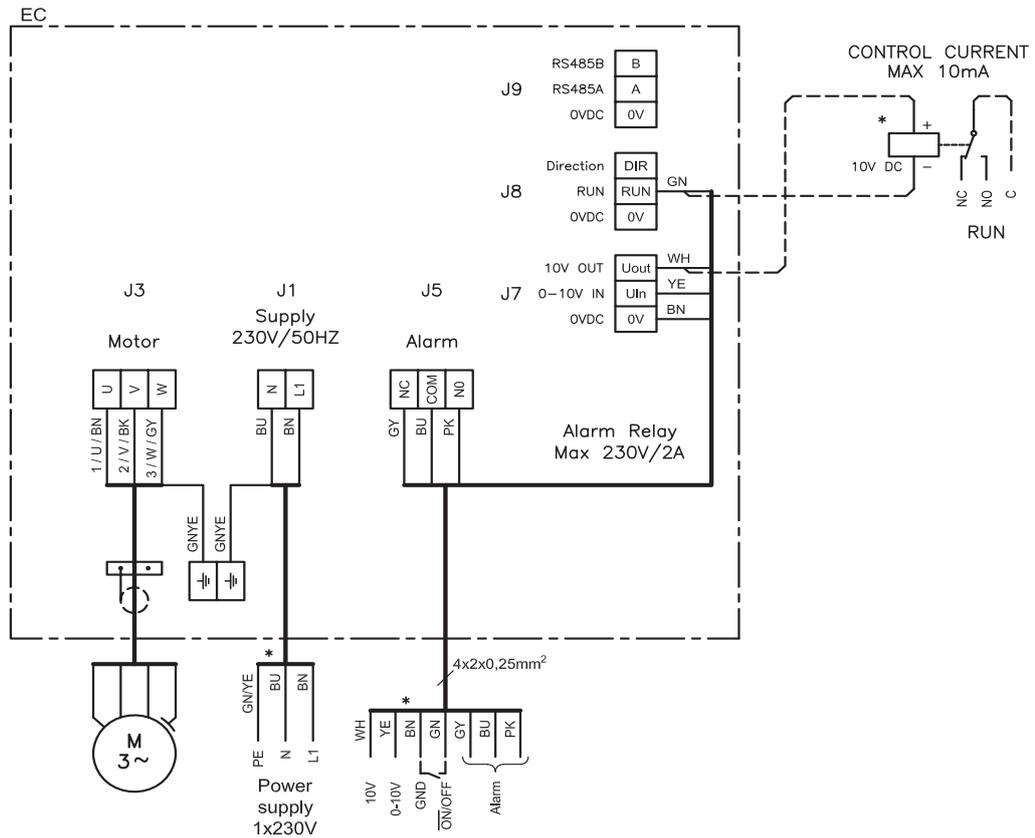
Der Elektriker muss durch ESD geschützt sein, während

- der Demontage des Deckels des EC-Automatik
- Arbeiten am EC-Automatik

1.4.1.1 BESB250-4-1EC, BESB315-4-1EC

Kabeltyp Kabel für Steuersignale müssen paarweise verdrehte Leiter sein. Der Kabeltyp muss mindestens CAT5e Ethernet-Kabel sein..

Diagramm



RD14146-02

Fig. 8

*keine EXHAUSTO-Lieferung.

Erklärung zum diagramm

Klemmrække	Klemme	Signalbeschreibung
J9	B	RS485 - (B)
	A	RS485 +(A)
	0V	0 V DC (Gestell)
J8	DIR	Drehrichtubg
	RUN	Start/stopp
	0V	0 V DC (Gestell)
J7	U Aus	10V DC
	U Ein	0-10V DC
	0V	0 V DC (Gestell)
J5	NC	Alarm NC
	COM	Alarm C
	NO	Alarm NO

Lager der DIP-Schalter

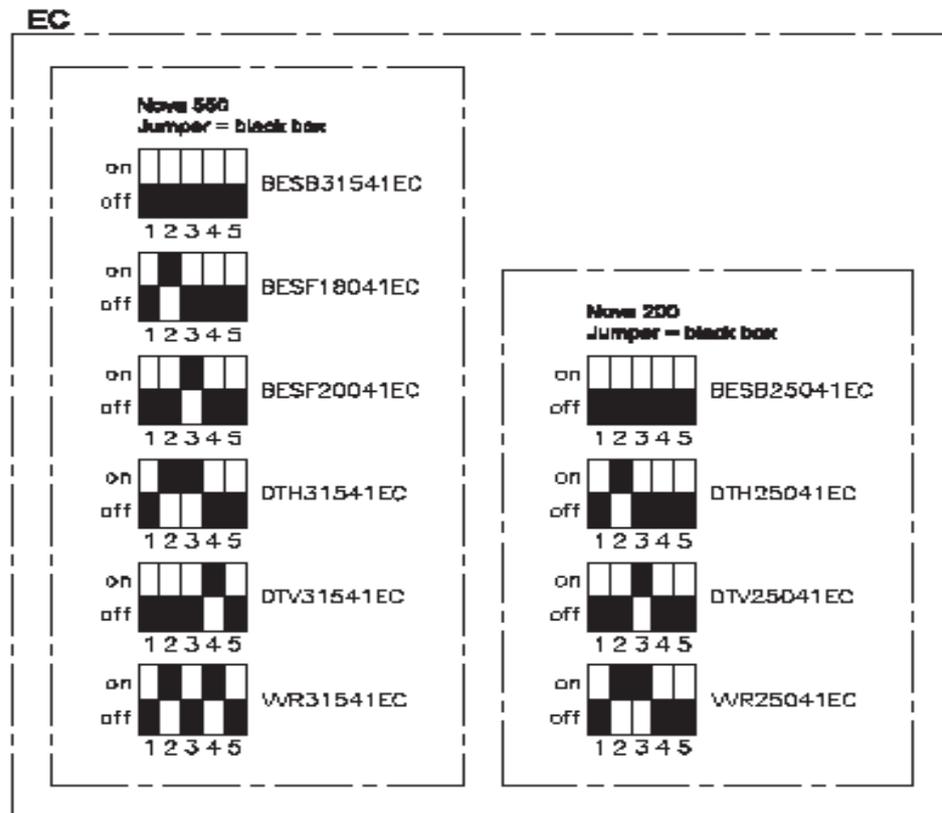
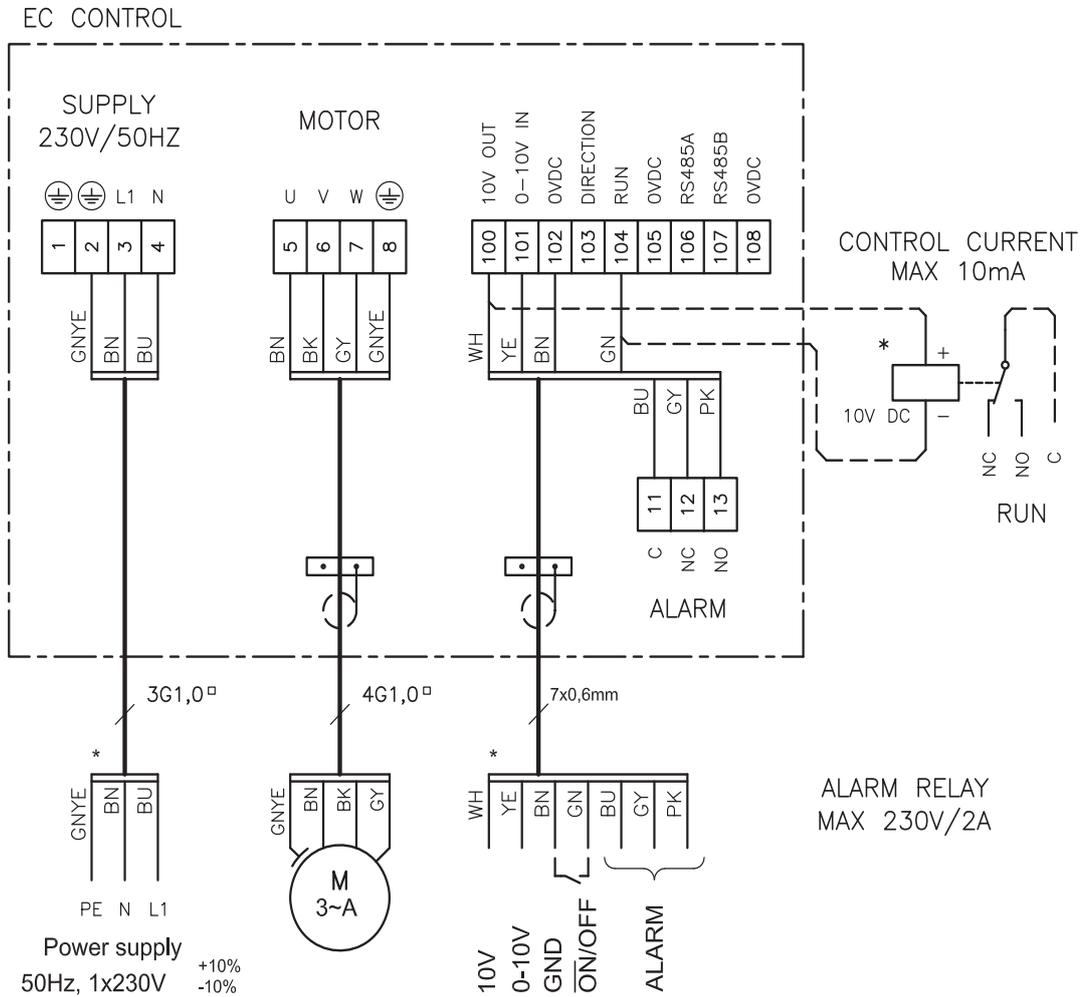


Fig. 9

1.4.1.2 FSB250-4-1EC, FSB315-4-1EC, BESB/FSB400-4-1EC, BESB/FSB500-4-1EC

Kabeltyp Die Kabel für die Steuersignale müssen isoliert sein.

Diagram



RD13274-07

Fig. 10

*keine EXHAUSTO-Lieferung.

Erläuterung zum Diagramm

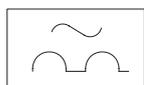
Klemme	Signalbeschreibung
100	10 V DC
101	0-10 V DC
102	0 V DC (Gestell)
103	Drehrichtung
104	Start/Stopp
105	0 V DC (Gestell)
106	RS 485 + (A)
107	RS 485 - (B)
108	0 V DC (Gestell)

Klemme	Signalbeschreibung
11	Alarm C
12	Alarm NC
13	Alarm NO

Leckstrom Die EC-Automatik gibt während des Betriebs einen Leckstrom von unter 3,5 mA ab. Der Leckstrom ist an den Erdanschluss zu leiten, da andernfalls die Gefahr besteht, dass der Motor unter Spannung steht.

Fehlerstromschutzschalter Falls in der Installation Fehlerstromschutzschalter montiert werden, müssen diese den folgenden Anforderungen entsprechen:

- Fehlerstromschutzschalter Typ A gemäß EN 61008, die bei der Erfassung von Gleichfehlerströmen (pulsierendem Gleichstrom) ausgelöst werden.
- Fehlerstromschutzschalter müssen mit dem folgenden Symbol gekennzeichnet sein



Anforderungen **Abschaltzeit von max. 0,3 Sekunden**

Bemessung des Nulleiters Bei der Installation mehrerer einphasiger BESB/FSB-Ventilatoren mit EC an einem Stromnetz mit gemeinsamem Nulleiter werden besondere Anforderungen an die Bemessung des Nulleiters gestellt, da die Stromaufnahme nicht sinusförmig ist.

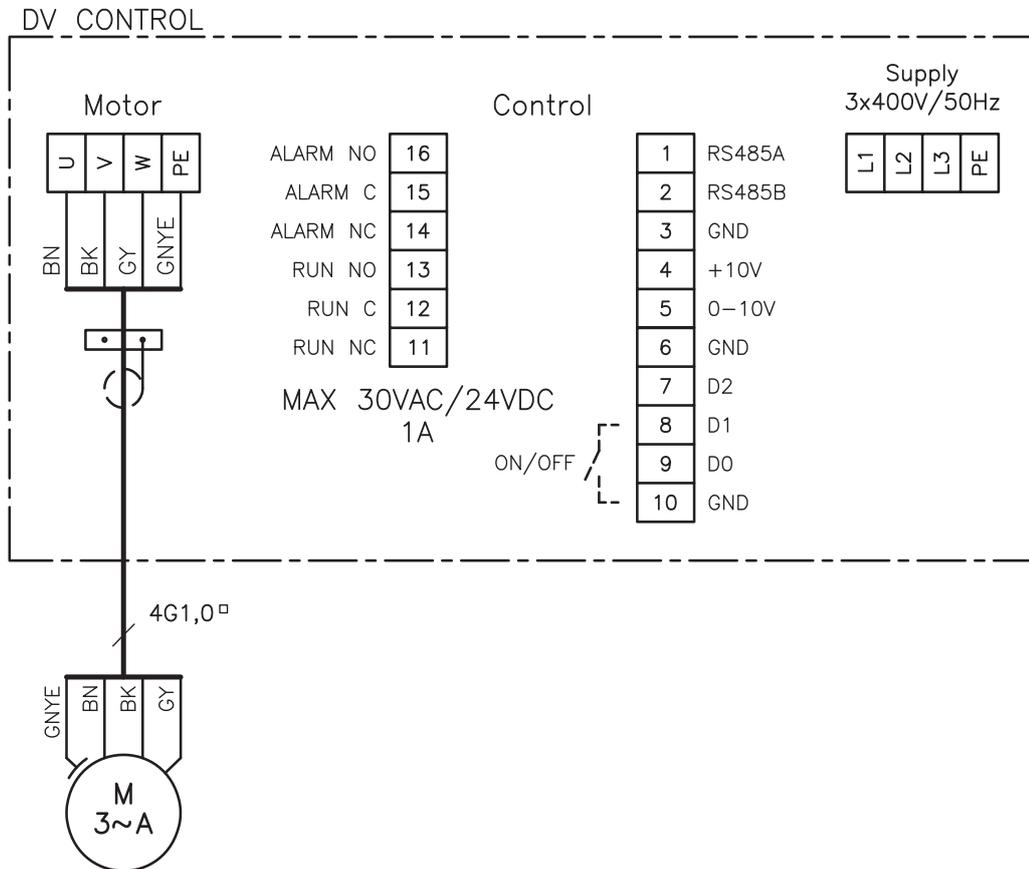
Beispiel Werden beispielsweise 3 EC-Motoren auf 3-Phasen verteilt angeschlossen, entspricht der Nullstrom der Summe der Stromwerte der 3 Motoren.

Vorhandene Installation Werden die Motoren an eine vorhandene Installation angeschlossen, ist zu untersuchen, ob der Nulleiter für die Belastung bemessen ist.

1.4.1.3 BESB500-4-3EC

Kabeltyp Die Kabel für die Steuersignale müssen isoliert sein.

Diagramm



RD14173-01

Fig. 11

*keine EXHAUSTO-Lieferung.

Erläuterung zum Diagramm

Klemme	Signalbeschreibung	Anmerkungen
1	RS 485 + (A)	
2	RS 485 - (B)	
3	0 V DC (Gestell)	
4	10 V DC	EFC1P Pult 5
5	0-10 V DC	EFC1P Pult 4
6	0 V DC (Gestell)	EFC1P Pult 3
7		
8	Start/Stop	EFC1P Pult 2
9		
10	0 V DC (Gestell)	
11	Run NC	

Klemme	Signalbeschreibung	Anmerkungen
12	Run C	
13	Run NO	
14	Alarm NC	
15	Alarm C	EFC1P Pult B
16	Alarm NO	EFC1P Pult A

Leckstrom

Die EC-Automatik gibt während des Betriebs einen Leckstrom ab. Der Leckstrom ist an den Erdanschluss zu leiten, da andernfalls die Gefahr besteht, dass der Motor unter Spannung steht.

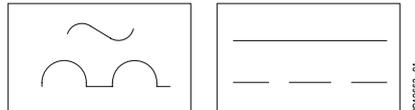
Ein Leckstrom von bis zu 150 mA kann vorkommen.

Zwecks Einhaltung von EN 50178 ist der Ventilatoren an verstärkte Erdung anzuschließen.

Fehlerstromschutzschalter

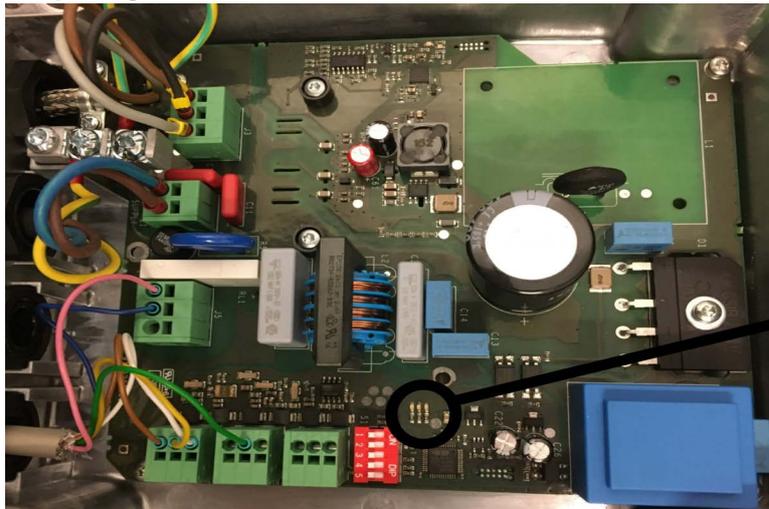
Falls in der Installation Fehlerstromschutzschalter montiert werden, müssen diese den folgenden Anforderungen entsprechen:

- Fehlerstromschutzschalter Typ A gemäß EN 61008, die bei der Erfassung von Gleichfehlerströmen (pulsierendem Gleichstrom) ausgelöst werden.
- Fehlerstromschutzschalter müssen mit dem folgenden Symbol gekennzeichnet sein:



1.4.2 Fehlersuche bei 1-phasigen EC-Automatik

Ein-phasig NOVA EC-Automatik



Ein-phasig EC-Automatik



Dioden

- Diode 1: Rot
- Diode 2: Gelb
- Diode 3: Grün

Schema zur Fehlersuche

- Grüne Diode leuchtet: Kein Fehler
- Rote Diode leuchtet: Fehler, das Alarmrelais zieht an
- Gelbe Diode: Blinkt für Fehlertyp

Fehlercode	Grün	Rot	Gelb	Fehler	Relais
Kein Code	+	-	-		
1			Reserviert	Nicht implementiert	
2	-	+	2 Mal / Pause 4 Sekunden	Unterspannung 170 v	+
3	-	+	3 Mal / Pause 4 Sekunden	Überspannung 255 v	+
4	+	-	4 Mal / Pause 4 Sekunden	Überstrom: Reduzierte Drehzahl	-
5			Reserviert	Nicht implementiert	
6	+	-	6 Mal / Pause 4 Sekunden	Überhitzung: Reduzierte Drehzahl	-

Fehlercode	Grün	Rot	Gelb	Fehler	Relais
7	-	+	7 Mal / Pause 4 Sekunden	Überhitzung: Stopp	+
8	-	+	8 Mal / Pause 4 Sekunden	Hardwarefehler	+
9	-	+	9 Mal / Pause 4 Sekunden	MCE Fault (IRF Chip general fault)	+
10	-	+	10 Mal / Pause 4 Sekunden	Motor blockiert	+
11	-	+	11 Mal / Pause 4 Sekunden	Motorphase fehlt	+
12			Reserviert	Nicht implementiert	
13			Reserviert	Nicht implementiert	
14			Reserviert	Nicht implementiert	
15			Reserviert	Nicht implementiert	
16	-	+	16 Mal / Pause 4 Sekunden	Kommunikations-fehler	+

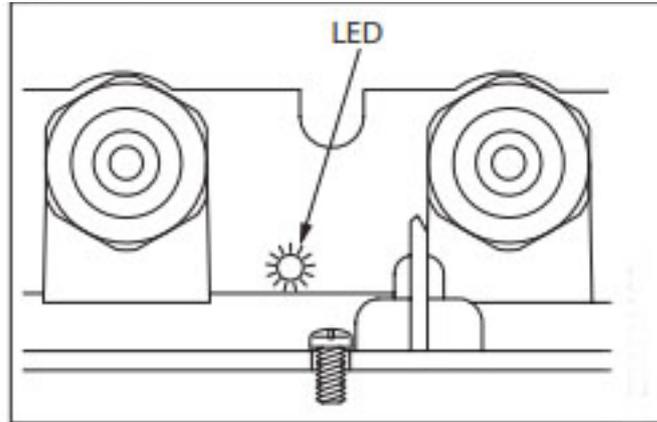
Hinweis

Nach Abhilfe des Fehlers lässt sich die Anzeige (Blinken der Diode) an der EC-Automatik durch vorübergehendes Abschalten der Versorgungsspannung bis zum Erlöschen der Diode abstellen

EXHAUSTO leistet 2 Jahre Werksgarantie auf den Ventilator.

1.4.3 Fehlersuche bei 3-phasigen EC-Automatik

Drei-phasig DV-EC-Automatik



LED-Anzeigen

- Die drei-phasige DV-EC-Steuerung verfügt über eine zweifarbige, grüne bzw. rote LED-Anzeige verschiedener Betriebszustände.
- Die LED befindet sich auf der Unterseite der Steuerung neben Kabeleinführungen für den Netzanschluss.

Problembekämpfung

- Dauerhaft grün bei eingeschalteter Netzspannung
- Blinkt grün bei aktiver Modbus-Kommunikation.
- Dauerhaft rot bei mindestens einem kritischen Alarm.
- BBlinkt rot, wenn mindestens ein nichtkritischer Alarm vorliegt

Zubehör

Als Zubehör können Sie ein Handheld-Terminal (4000692) für den Betrieb und Alarminformationen kaufen.

1.5 Kanalanschluss

Flexible Anschlüsse

Der Ventilator ist stets durch flexible Anschlüsse FLF an das Kanalsystem anzuschließen, um die Übertragung etwaiger Schwingungen zu vermeiden. Die Stutzen am Ventilator haben Standardmaße und sind mit Gummilippendichtung ausgerüstet.

Zur Erzielung maximaler Leistung bei minimalem Energieverbrauch muss der Ventilator mit einem geraden Kanal in den angegebenen Längen vor und nach dem Ventilator an das Kanalsystem angeschlossen werden. Es sind stets flexible Verbindungen vom Typ FLF auf die dargestellte Weise zu montieren.

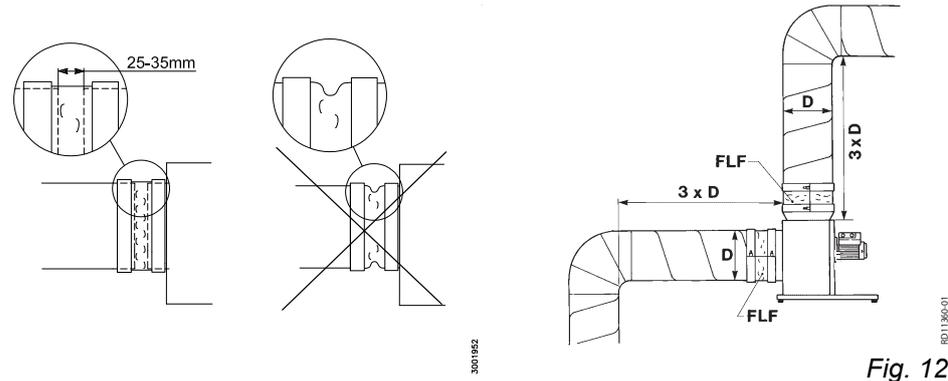


Fig. 12

Schalldruckpegel

Der Ventilator ist mit Schalldämpfern gemäß den Anforderungen am Einsatzort zu montieren. Der Schalleistungspegel an die Umgebung liegt für alle BESB/FSB-Bauarten unter 70 dB(A). Das Kanalsystem ist gegen Schallemission, Wärmeverlust, Brand und Kondensation zu isolieren.

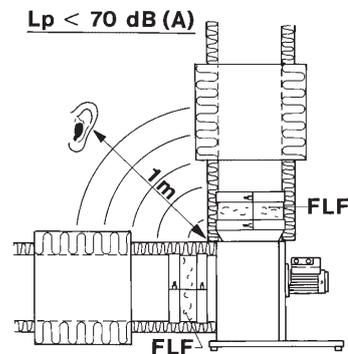


Fig. 13

Ohne Kanalanschluss

Wird der Ventilator ohne Kanalanschluss aufgestellt, ist ein Schutznetz (Zubehör) mit einer Maschenweite von maximal 12 mm zu montieren. Ferner wird auf Folgendes hingewiesen:

- Diese Anschlussverfahren sind mit einem Systemdruckverlust verbunden.
- Die Luftmengenmessung funktioniert nicht korrekt, wenn an der Saugseite keine Kanäle montiert sind.

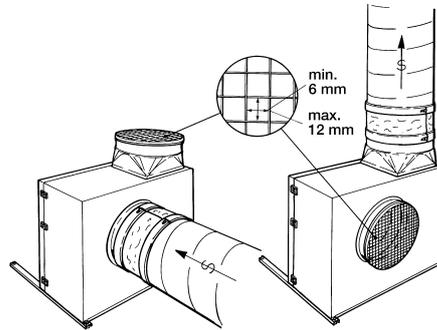


Fig. 14

1.6 Luftmengenmessung

Die Boxventilatoren sind mit eingebauten Messpunkten für Luftmengenmessung ausgerüstet (abgesehen von BESB/FSB250). Die Messpunkte sind an ein Manometer anzuschließen, wonach sich die Luftmenge (qv) anhand einer Formel oder durch Ablesen der Diagramme berechnen lässt. Messfehler $\pm 8\%$ der aktuellen Luftmenge, wenn das Kanalsystem an der Saugseite wie in der Skizze in den Diagrammen gestaltet wird.

Voraussetzungen für Diagramme und Formeln:

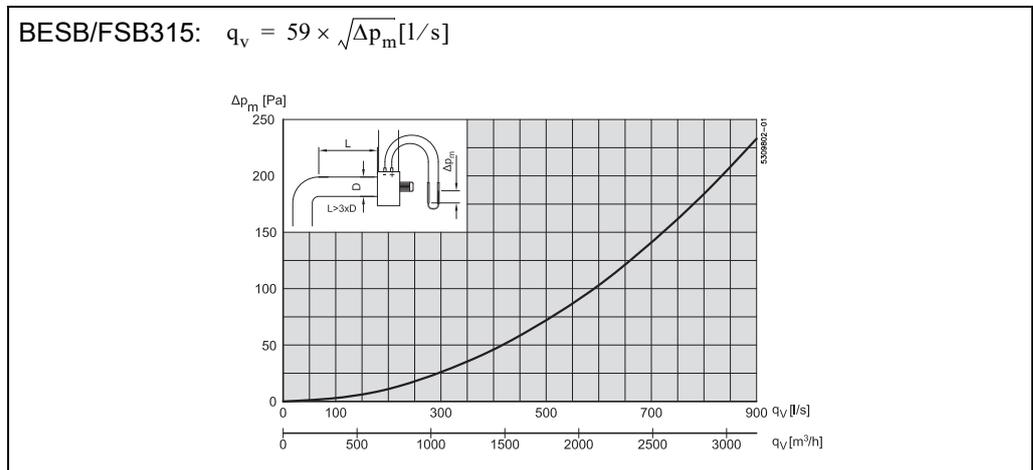
Temperatur: 20°C

Dichte: 1,2 kg/m³

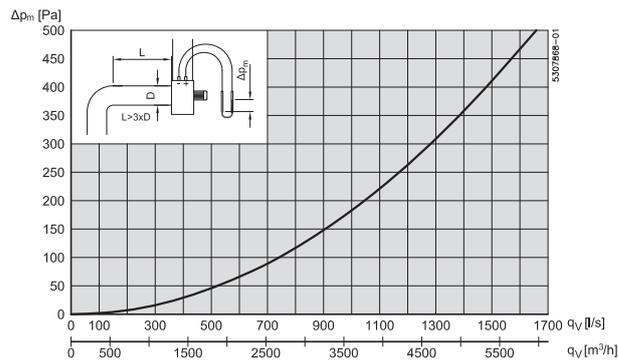
Druckmessung, Δp_m [Pa], bei 20°C

1 m³/s = 1000 l/s = 3600 m³/h

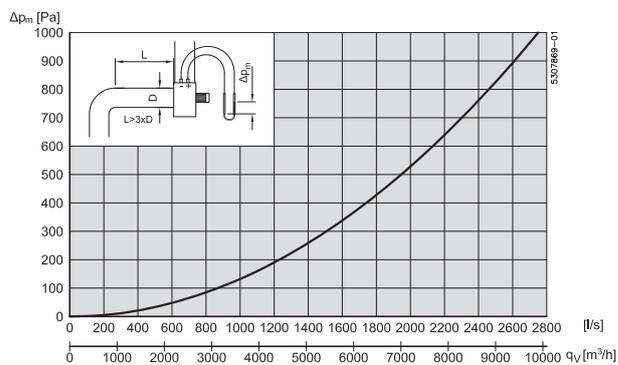
BESB/FSB315: $q_v = 59 \times \sqrt{\Delta p_m}$ [l/s]



$$\text{BESB/FSB400: } q_v = 75 \times \sqrt{\Delta p_m} [\text{l/s}]$$



$$\text{BESB/FSB500: } q_v = 87 \times \sqrt{\Delta p_m} [\text{l/s}]$$

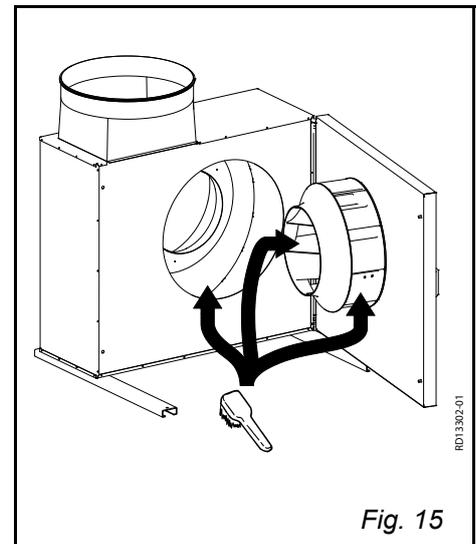


1.7 Wartung und Reinigung

EXHAUSTO leistet eine 2-jährige Werksgarantie ab Rechnungsdatum auf den Ventilator. Der Motor im Boxventilator BESB/FSB von EXHAUSTO hat geschlossene, wartungsfreie Spezialkugellager. Ein etwaiger Austausch von Lagern sollte nur vom EXHAUSTO SERVICE oder von Personen mit entsprechenden Fachkenntnissen ausgeführt werden.

Reinigung des Ventilators nach Bedarf, jedoch mindestens alle 12 Monate, wie folgt:

- Die Stromversorgung zum Ventilator am Verzorgungstrennung abschalten. Die Wartungstür erst öffnen, nachdem der Ventilator zum Stillstand gekommen ist.
- Ventilatorgehäuse und Zentrifugalrad gründlich mit Seifenwasser reinigen. Vor dem Wiedereinschalten des Ventilators müssen die Bauteile trocken und die Wartungstür geschlossen sein.
- Das Zentrifugalrad lässt sich demontieren und reinigen. Vor der Demontage die genaue Position des Rades auf der Welle messen. Die Position des Rades ab Werk ist am Gehäuse hinter der Wartungstür markiert. Etwaige Ausgleichsgewichte am Zentrifugalrad dürfen nicht entfernt werden.
- Bei einer erneuten Montage des Laufrades müssen neue Madenschrauben verwendet werden, da sonst die Gefahr



- besteht, dass das Laufrad sich während des Betriebs von der Motorwelle löst.
- Überprüfen, dass die Abdeckung des Motorkühlers nicht verschmutzt ist, um eine ausreichende Kühlung des Motors zu gewährleisten.

1.8 Umweltdeklaration

Produktbeschreibung

Der BESB/FSB von EXHAUSTO ist ein leicht zu wartender Radialventilator mit rückwärts-gekrümmten Schaufeln. Der Ventilator ist mit 50 mm Mineralwolle brand-, schall- und wärmeisoliert. Das Zentrifugalrad ist direkt auf der Motorwelle montiert, wodurch Energieverlust und Verschleiß reduziert werden. Die Reparaturkosten betragen daher ein Minimum.

Wartung und Reinigung erfolgen durch die geöffnete Scharniertür. Die Tür ermöglicht Zugang zu sämtlichen Bauteilen, die mit der Luft in Kontakt sind. Der Motor ist außerhalb des Luftstromes montiert.

Der Ventilator wird einschließlich Tragschienen mit Schwingungsdämpfern geliefert. Der Ventilator ist CE-zugelassen und nach den geltenden Richtlinien EMV-getestet.

Eingesetzte Werkstoffe

Lüftergehäuse, Schnecke und Tragschienen sind aus feuerverzinktem, wiederverwertbarem Stahlblech hergestellt. Das Zentrifugalrad ist aus wiederverwertbarem Druckgussaluminium.

Die Isolierung besteht aus Mineralwolle, die nach der Demontage des Ventilators wiederverwendet werden kann. Die Dichtleisten sind aus FCKW- und H-FCKW-freiem Zellgummi.

Der Motor besteht aus Aluminium, Stahl und Kupfer sowie eventuell einer Kühlkappe aus Kunststoff. Die Verpackung besteht aus Wellpappe sowie Einwegpaletten aus Holz.

Materialübersicht

	BESB/ FSB250	BESB/ FSB315	BESB/ FSB400	BESB/ FSB500	BESB500 3phasig
Aluminium	11%	13%	14%	14%	14%
Fe	74%	70%	70%	70%	70%
Kupfer	1%	1%	1%	2%	2%
Mineralwolle	9%	11%	12%	12%	12%
Platine; Elektronik- komponenten	3%	3%	2%	1%	2%
Kunststoff, Zellgummi	1%	1%	1%	1%	1%
Sonstiges	1%	1%	1%	< 1%	1%

1. NO - BESB/FSB - Produktveiledning

EXHAUSTO boksvifte BESB/FSB brukes til transport av luft i tillufts- og avtrekksanlegg.



Viften må ikke brukes til transport av faste partikler eller hvor det er risiko for eksplosive gasser.



Viften må ikke startes med åpen serviceluke.

1.1 Oppbygning

Beskrivelse

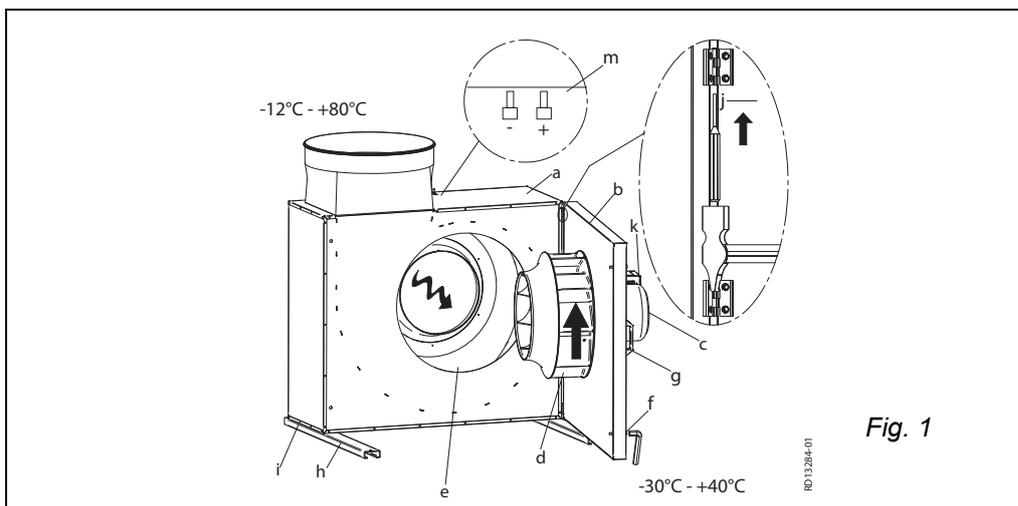
BESB/FSB finnes i 4 størrelser og er en totalisolert og lydsvak sentrifugalvifte med bakoverbøyde skovler (B-hjul) støpt i aluminium:

- BESB250-4-1EC/FSB250-4-1EC
- BESB315-4-1EC/FSB315-4-1EC
- BESB400-4-1EC/FSB400-4-1EC
- BESB500-4-1EC/FSB500-4-1EC
- BESB500-4-3EC

Viften består innvendig av et isolert viftehus og utvendig av et kabinett, begge deler i aluzink.

Hoved-

komponenter



Pos.	Komponent
a	Kabinett
b	Serviceuke
c	Motor
d	Sentrifugalhjul (B-hjul)
e	Viftehus
f	Låseskrue (verktøy følger med)
g	Håndtak
h	Bæreskinne med vibrasjonsdempere
i	Selvskjærende skrue
j	Hengsel
k	EC-styring/klemmekasse
m	Målestusser for luftmengdemåling (ikke BESB/FSB250)

Temperatur medium min.: -12 °C maks.: +80 °C

Temperatur driftsomgivelser min.: -30 °C maks.: +40 °C

1.2 Transport

Viften leveres emballert og kan transporteres på tre pall. Etter utpakking må viften transporteres og behandles slik at kabinettet og stusser mv. ikke deformeres, da dette kan føre til berøring mellom roterende deler og resultere i behov for etterjustering/ reparasjoner.

Ved transport gjennom trange passasjer inn til oppstillingsstedet, er det mulig å demontere serviceluken som vist i avsnitt 2.1 "Oppbygning".

Merk

Viften må ikke løftes i håndtaket på servicelukuken.

Vekt

BESB/FSB	250	315	400	500
(kg)	52	57	73	88
				91(-3)

1.3 Montering

1.3.1 Innendørs plassering



Viften kan monteres på forskjellige måter (fig. 2) innendørs.

Ved monteringsmåte B og D må servicelukuken kunne holdes fast i åpen stilling under servicearbeid. Til dette formålet kan det leveres et sikkerhetsbeslag inkl. monteringssett som tilbehør.

Ved intermitterende drift hvor det er risiko for kondensvann i motoren, må bare monteringsmåte A eller B brukes.

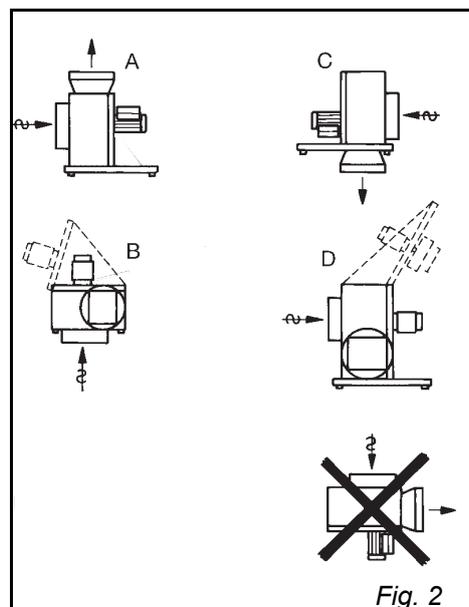


Fig. 2

Serviceilgang

Ved utvelgning av den nøyaktige plasseringen må man sikre seg at det er plass nok til at servicelukuken kan åpnes minst 80°, og at det er adgang til låseskruene.

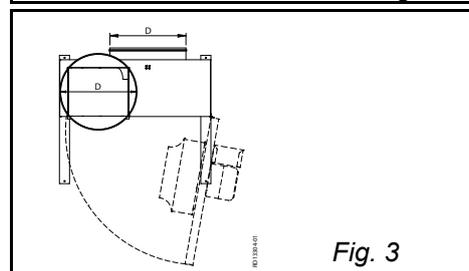


Fig. 3

Advarsel



Motoren må aldri plasseres loddrett under kabinettet. Dessuten må det sikres at motoren og EC-styring ikke tildekkes, da det vil kunne medføre overoppheting.

1.3.2 Utendørs plassering (OD)



Dersom viften har typebetegnelsen OD, er det en utendørs variant og kan brukes til transport av luft i temperaturområder opp til 200 °C. Dessuten kommer modellen med avløp i monteringsmetode "A".

Ved utendørs montering skal monteringsmetode A eller B brukes. Monteringsmetode C og D krever en spesialbygd vifte – ta kontakt med EXHAUSTO (fig. 4).

Alle utvendige skjøter samt stusser er fuget for å hindre vanninntrengning.

Kabinettets materialer oppfyller kravene til klasse C4 iht. DS/EN ISO12 944.2 og er egnet til utendørs plassering.

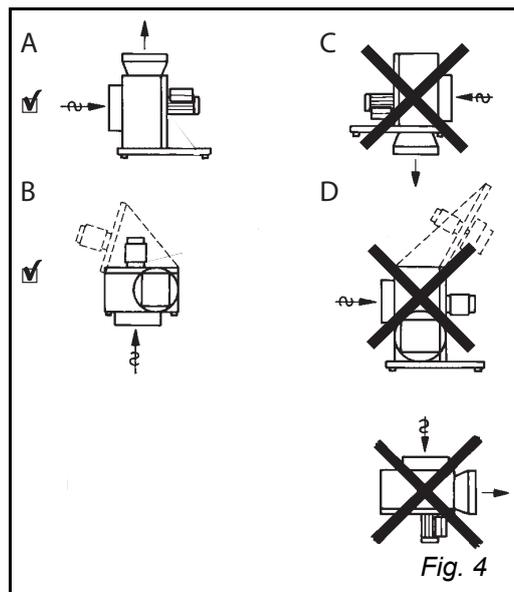


Fig. 4

Servicetilgang

Ved utvelgning av den nøyaktige plasseringen må man sikre seg at det er plass nok til at serviceluken kan åpnes minst 80°, og at det er adgang til låseskruene.

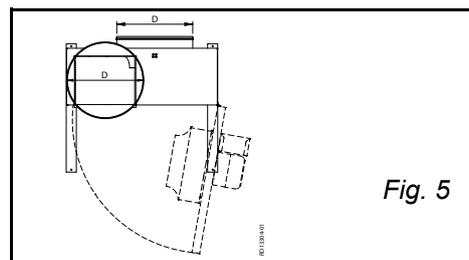


Fig. 5

1.3.3 Montering av bæreskinner

- Underlaget må være plant, stabilt og svingningsdødt for å minimere overføringen av eventuelle vibrasjoner fra viften. Bruk f.eks. en betongflis ovenpå en solid trekonstruksjon.
- Monter bæreskinnene på kabinettet med skruene som følger med. Ved monteringsmetode A er kabinettet forboret.
- **BESB/FSB 400 og 500:** Ved valg av monteringsmåte B (fig. 2/4) for BESB/FSB 400 og 500 må det bores frihuller (Ø16 - Ø20) i kabinettet for mutrene på bæreskinnene.
- Monter bæreskinnene mens viften ligger på trepallen av hensyn til transporten.
- Sett viften løst ovenpå underlaget. Den skal ikke spennes fast.

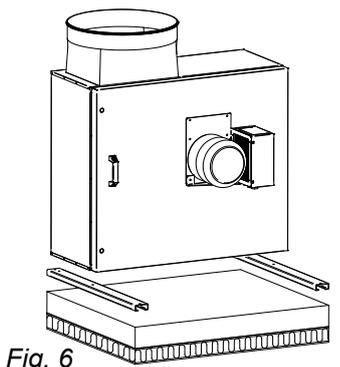


Fig. 6

1.4 Elektrisk tilkobling

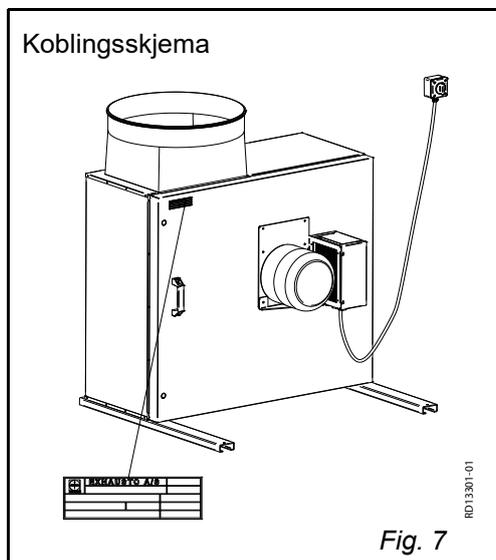
Generelt



Den elektriske installeringen må bare utføres av en autorisert installatør.

Vifte- og motorspesifikasjoner fremgår av typeskiltene som er montert.

Maks. sikring = 13 Amp..



Hvis forankoblet sikring er en	...skal den ha karakteristikk
smeltesikring	gG eller gM.
automatsikring	B eller C, og samsvare med IEC 90947-2.

Maks. kortslutningsstrøm er 10 kA

Ved oppstart og innregulering av ventilasjonsanlegget er det viktig å kontrollere motorens dreieretning, og at strømforbruket ikke overstiger merkestrømmen på typeskiltet, da det vil medføre overbelastning av motoren.

Skillebryter



EXHAUSTO A/S gjør oppmerksom på at det i henhold til Maskindirektivet (vedlegg 1) skal monteres en skillebryter i den faste installasjonen av viften.

Skillebryteren skal...

- være låsbar eller plasseres synlig i nærheten av viften.
- kunne bryte alle poler fra matespenningen
 - kontaktavstand min. 3 mm på hver pol.
- være utført som skillebryter i henhold til IEC 60947-1 eller IEC 60947-3.

Skillebryteren er ikke en del av EXHAUSTO-leveransen.

Lynavledning...

...skal utføres i henhold til gjeldende lover og forskrifter.

1.4.1 Vifter med EC-styring

- Generelt** Alle vifter med typebetegnelsen "EC" er regulerbare via den innebygde EC-styring.
- Kabler** Ledningene som skal tilkobles styresignalinggangene, må i hele sin lengde ha forsterket isolering i forhold til forsyningsledningene.
- OBS** Pga. EMC-krav må kablen mellom EC-styreenheten og EC-motoren ikke forlenges.

ESD



Elektrikeren skal være ESD-beskyttet:

- når lokket på EC-styringen demonteres
- under arbeid på EC-styringen

1.4.1.1 BESB250-4-1EC & BESB315-4-1EC

- Kabeltype** Kabler til styresignaler skal bestå av tvunnede parledere. Kabeltypen skal minst være CAT5e Ethernet-kabel.

Diagram

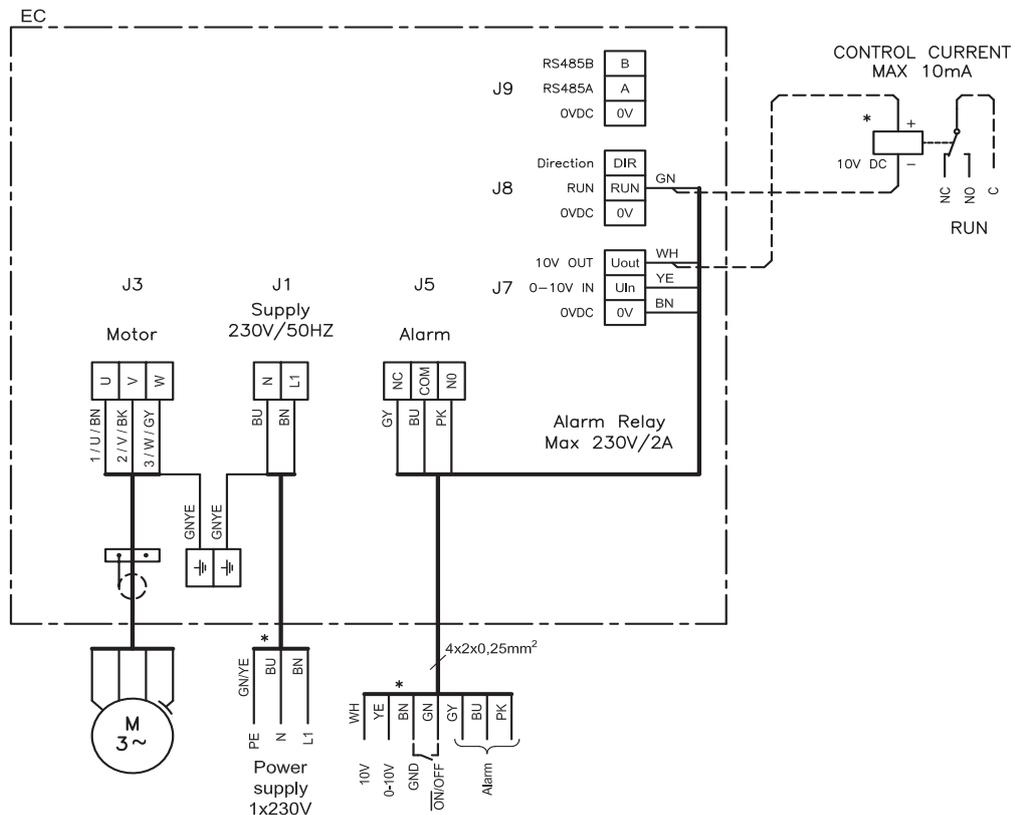


Fig. 8

* Ikke EXHAUSTO leverance.

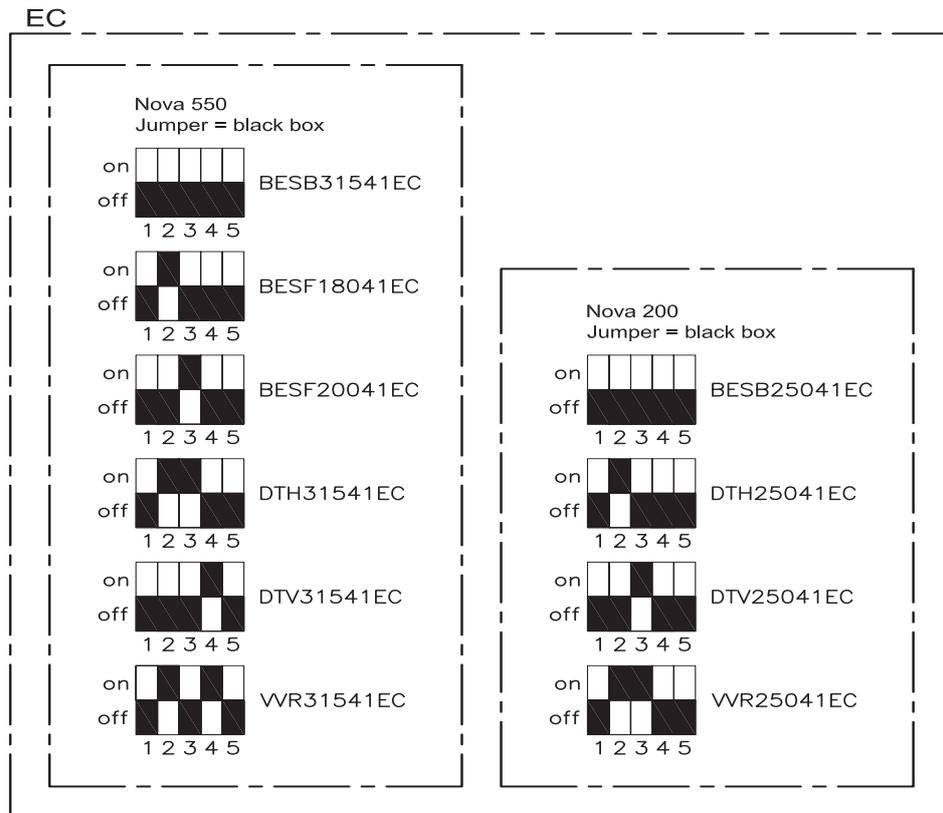
Forklaring til diagram

Terminal	Klemme	Signalbeskrivelse
J9	B	RS485 - (B)
	A	RS485 +(A)
	0V	0 V DC (stel)

RD14146-02

Terminal	Klemme	Signalbeskrivelse
J8	DIR	Rotasjonsretning
	RUN	Start/Stopp
	0V	0 V DC (ramme)
J7	U out	10V DC
	U in	0-10V DC
	0V	0 V DC (ramme)
J5	NC	Alarm NC
	COM	Alarm C
	NO	Alarm NO

Placering af dipswiche



RD14145-01

Fig. 9

1.4.1.2 FSB250-4-1EC, FSB315-4-1EC, BESB/FSB400-4-1EC & BESB/FSB500-4-1EC

Kabeltype Kabler til styresignaler skal være skjernet.

Diagram

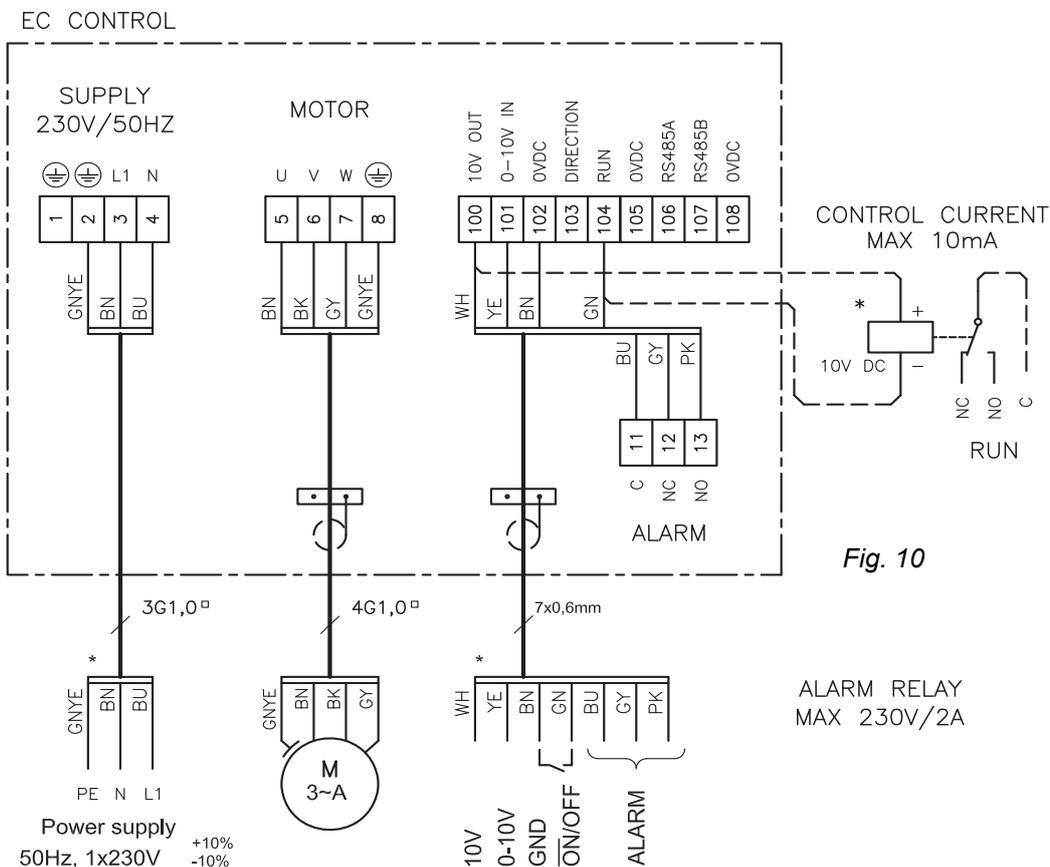


Fig. 10

ALARM RELAY
MAX 230V/2A

* Ikke EXHAUSTO-leveranse.

Forklaring til diagram

Klemme	Signalbeskrivelse
100	10 V DC
101	0-10 V DC
102	0 V DC (ramme)
103	Rotasjonsretning
104	Start/stop
105	0 V DC (ramme)
106	RS485 + (A)
107	RS485 - (B)
108	0 V DC (ramme)
11	Alarm C
12	Alarm NO
13	Alarm NC

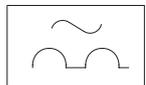
Lekkstrøm

EC-styringen avgir under drift en lekkstrøm som er mindre enn 3,5 mA. Lekkstrømmen må ledes til jord, da det ellers er risiko for at motoren blir spenningsførende.

R013274-07

Jordfeilbrytere Hvis det monteres jordfeilbrytere i installasjonen, må disse være av en type som overholder følgende krav:

- PFI-bryter type A i henhold til EN 61008 som bryter når det registreres feilstrømmer med DC-innhold (pulserende likestrøm)
- Jordfeilbryterne må være merket med følgende symbol:



Krav Utkoblingstid på maks. 0,3 sekunder

Dimensjonering av nulleleder Ved installasjon av flere enfasede BESB/FSB-vifter med EC-motorer i nett med felles nulleleder stilles det spesielle krav til dimensjonen på nullederen, da opptatt strøm ikke er sinusformet.

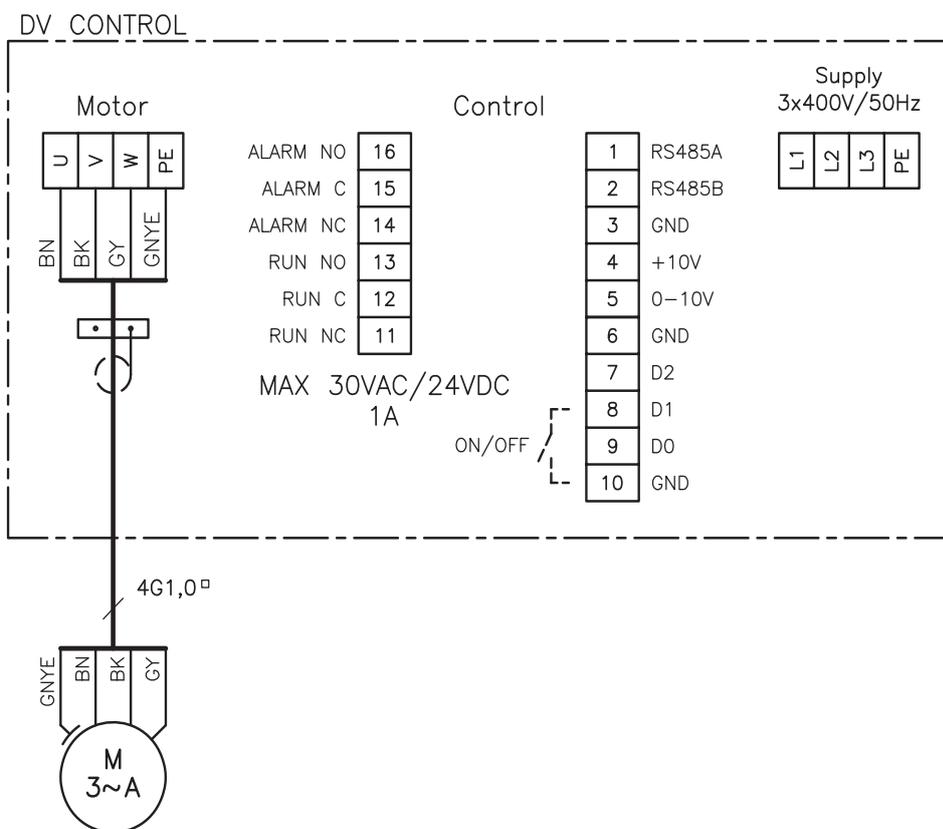
Eksempel Installerer f.eks. tre EC-motorer fordelt på tre faser, er nullstrømmen lik med summen av de tre motorenes strømmer.

Eksisterende installasjon Dersom motorene tilkobles en eksisterende installasjon, må det undersøkes om nullederen kan klare denne belastningen.

1.4.1.3 BESB500-4-3EC

Kabeltype Kabler til styresignaler skal være skjermet.

Diagram



RD14173-01

Fig. 11

Forklaring til diagram

* Ikke EXHAUSTO-leveranse.

Klemme	Signalbeskrivelse	Merknader
1	RS485 + (A)	
2	RS485 - (B)	
3	0 V DC (ramme)	
4	10 V DC	EFC1P panel 5
5	0-10 V DC	EFC1P panel 4
6	0 V DC (ramme)	EFC1P panel 3
7		
8	Start/stopp	EFC1P panel 2
9		
10	0 V DC (ramme)	
11	Run NC	
12	Run C	
13	Run NO	
14	Alarm NC	
15	Alarm C	EFC1P panel B
16	Alarm NO	EFC1P panel A

Lekkstrøm

EC-styringen avgir lekkstrøm under drift. Lekkstrømmen må ledes til jord, da det ellers er risiko for at motoren blir spenningsførende.

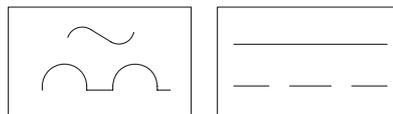
Det kan forekomme en lekkstrøm på opptil 150 mA.

For å overholde EN50178 må ventilatoren tilkobles forsterket jord.

Jordfeilbrytere

Hvis det monteres jordfeilbrytere i installasjonen, må disse være av en type som overholder følgende krav:

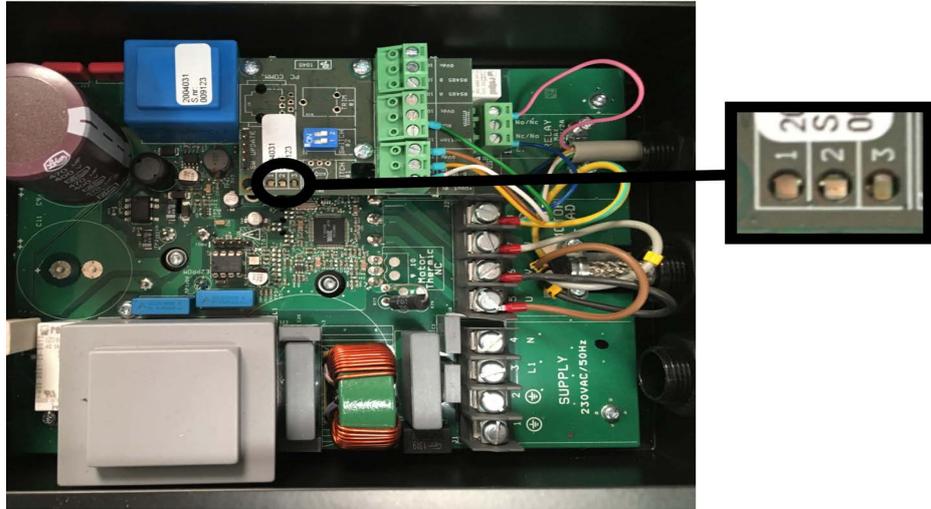
- PFI-bryter type B i henhold til EN 61008, som bryter når det registreres feilstrømmer med DC-innhold (pulserende likestrøm) og glatte feilstrømmer
- Jordfeilbryterne må være merket med følgende symboler:



- EXHAUSTO anbefaler en jordfeilbryter på 300mA.

1.4.2 Feilsøking for 1-fase EC-styring

1-fase EC-styring



1-fase NOVA-styring



Dioder

- Diode 1: Rød
- Diode 2: Gul
- Diode 3: Grønn

Feilsøkingsskjema

- Grønn diode lyser: ingen feil
- Rød diode lyser: det foreligger en feil. Alarmrelé trekker
- Gul diode: blinker for feiltype

Feilkode	Grønn	Rød	Gul	Feil	Relé
Ingen	+	-	-		
1			Resevert	Ikke implementert	
2	-	+	2 ganger/pause 4 sekunder	Under spenning 170 v	+
3	-	+	3 ganger/pause 4 sekunder	Over spenning 255 v	+
4	+	-	4 ganger/pause 4 sekunder	Over strøm: Redusert turtall	-
5			Resevert	Ikke implementert	

Feilkode	Grønn	Rød	Gul	Feil	Relé
6	+	-	6 ganger/pause 4 sekunder	Overoppheting: Redusert turtall	-
7	-	+	7 ganger/pause 4 sekunder	Overoppheting: Stopp	+
8	-	+	8 ganger/pause 4 sekunder	Maskinvarefeil	+
9	-	+	9 ganger/pause 4 sekunder	MCE Fault (IRF Chip general fault)	+
10	-	+	10 ganger/pause 4 sekunder	Motor blokkert	+
11	-	+	11 ganger/pause 4 sekunder	Motor mistet en fase	+
12			Reseverter	Ikke implementert	
13			Reseverter	Ikke implementert	
14			Reseverter	Ikke implementert	
15			Reseverter	Ikke implementert	
16	-	+	16 ganger/pause 4 sekunder	Kommunikasjonsfeil	+

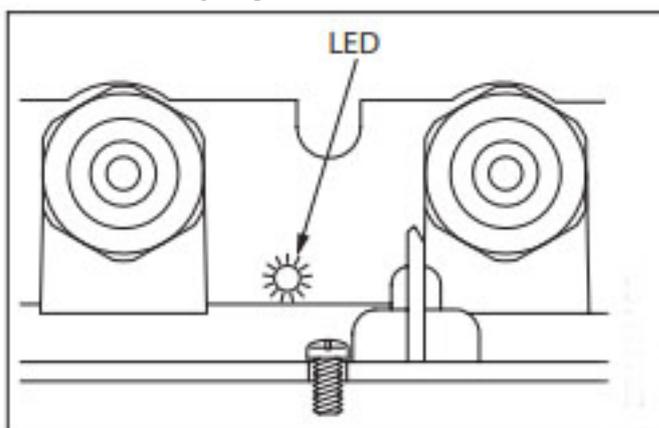
Merk

Når feilen er rettet, kan indikatoren (blinkende diode) på EC-styringen slås av ved å avbryte matespenningen midlertidig til lysdioden slukner.

EXHAUSTO yter 2 års fabrikkgaranti på viften.

1.4.3 Feilsøking for 3-fase EC-styring

3-fase DV-EC-styring



LED-indikeringer

- 3 - faset DV-EC - styring har en 2-farget eller grønn- og rødfarget LED-indikasjon for ulike driftsmoduser.
- LED-lampen er plassert på undersiden av koblingen ved siden av kabelinnføringen til nettkoblingen

Feilsøking

- Konstant grønn når tilkoblet nettspenning
- Blinker grønt ved aktiv Modbus-kommunikasjon.
- Konstant rød ved minst én kritisk alarm.
- Blinker rødt ved minst én ikke-kritisk alarm.

Tilbehør

- Som tilbehør kan du kjøpe en håndterminal (4000692) for betjening og alarm informasjon.

1.5 Kanaltilkobling

Fleksible forbindelser

Viften må alltid tilkobles kanalsystemet via mansjetter av typen FLF for å unngå overføring av eventuelle vibrasjoner. Stussene på viften har standard dimensjoner og er forsynt med gummitetning.

For å oppnå maksimal ytelse og minimalt energiforbruk må viften tilkobles kanalsystemet med de oppgitte lengdene rett kanal før og etter viften. Det skal alltid monteres mansjetter FLF på den måten som er vist.

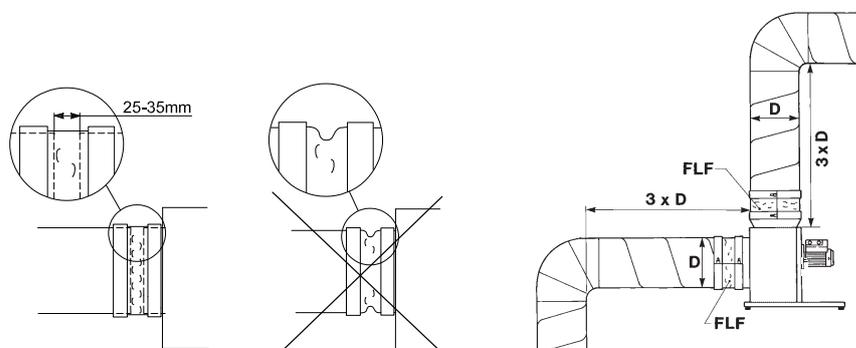
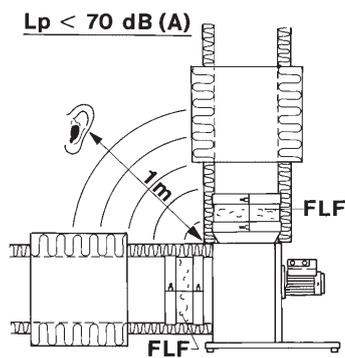


Fig. 12

Lydtryknivå

Viften monteres med lyddempere i henhold til kravene i betjeningsområdet. Lydtryknivået til omgivelsene er under 70 dB(A) for alle typer BESB/FSB. Kanalsystemet må isoleres av hensyn til lyduttrenkning, varmetap, brann og

kondensering.



RD11361-01

Fig. 13

Uten kanaltilkobling

Dersom viften stilles opp uten kanaltilkobling, må det monteres beskyttelsesnett (ekstrautstyr) med største maskevidde på 12 mm. Det gjøres dessuten oppmerksom på:

- at disse tilkoblingsmåtene gir systemtrykkfall.
- at luftmengdemålingen ikke virker korrekt hvis det ikke er montert kanaler på sugesiden.

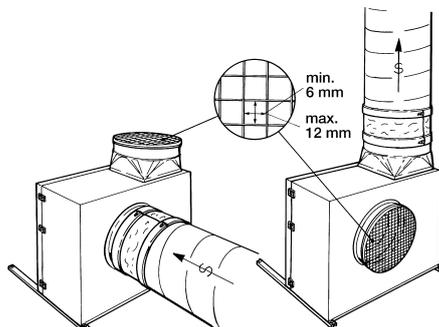


Fig. 14

1.6 Luftmengdemåling

Boksviftene er forsynt med innebygde målepunkter for luftmengdemåling (dog ikke BESB/FSB250). Målepunktene tilkobles et manometer, og luftmengden (q_v) kan deretter beregnes ved hjelp av formlene under eller ved å lese av på diagrammene. Målefeil $\pm 8\%$ av aktuell luftmengde når kanalsystemet på sugesiden utformes som vist på skissen på diagrammene.

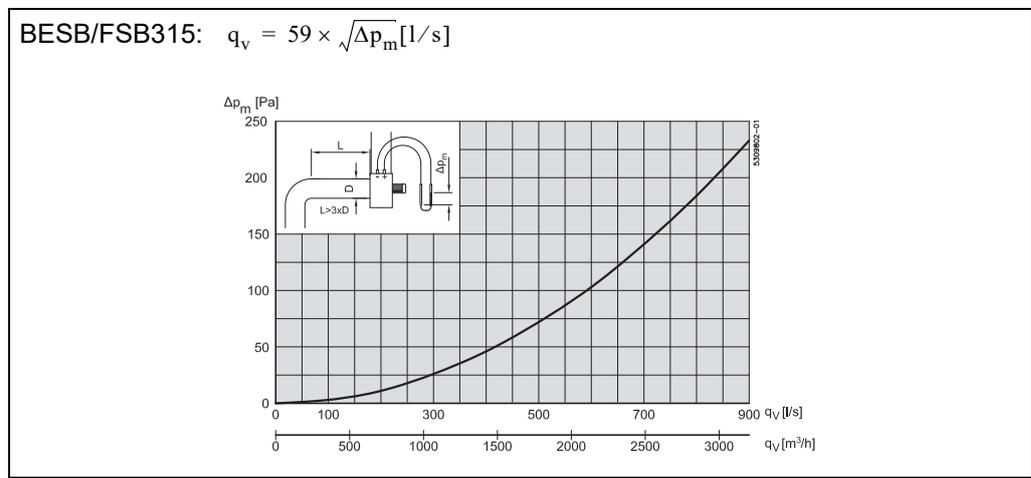
Forutsetninger for diagrammer og formler:

Temperatur: 20 °C

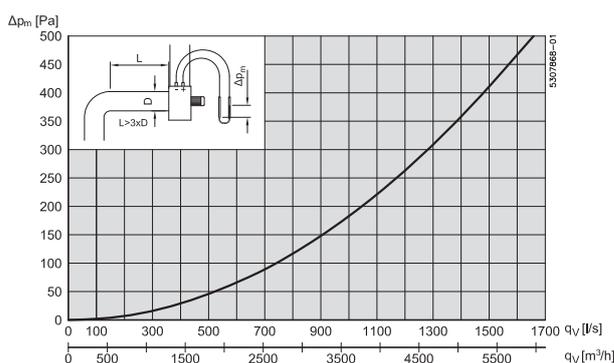
Densitet: 1,2 kg/m³

Trykkmåling, Δp_m [Pa], ved 20 °C

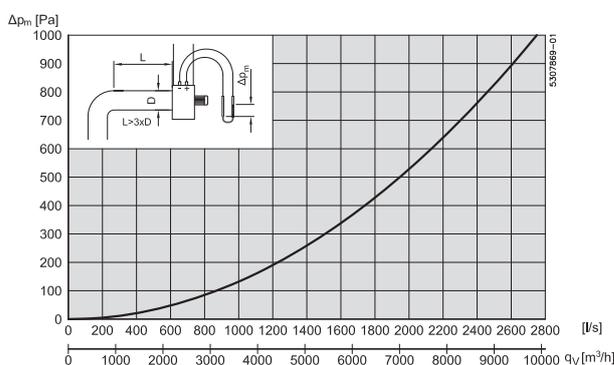
1 m³/s = 1000 l/s = 3600 m³/h



$$\text{BESB/FSB400: } q_v = 75 \times \sqrt{\Delta p_m} [\text{l/s}]$$



$$\text{BESB/FSB500: } q_v = 87 \times \sqrt{\Delta p_m} [\text{l/s}]$$



1.7 Service og rengjøring

EXHAUSTO yter 2 års fabrikkgaranti på viften fra fakturadato. Motoren i EXHAUSTO boksvifte BESB/FSB har livstidsmurte, lukkede spesialkulelagre og er vedlikeholdsfri. Eventuell utskifting av lagre bør bare utføres av EXHAUSTO SERVICE eller tilsvarende fagekspertise.

Rengjøring av viften foretas etter behov, men minst hver 12. måned, på følgende måte:

- Slå av strømmen til viften på skillebryteren. Serviceluken må først åpnes når viften er holdt opp med å rotere.
- Vask viftehous og sentrifugalhjul grundig med såpevann. Delene må være tørre og serviceluken stengt før viften startes opp igjen.
- Sentrifugalhjulet kan tas ut og renses. Mål hjulets nøyaktige plassering på akselen før demontering. Hjulets plassering er fra fabrikken oppgitt på kabinettet bak serviceluken. Ev. avbalanseringsklosser på sentrifugalhjulet må ikke fjernes.
- Kontroller at det er fri adgang for kjøleluft gjennom kjølekappen på motoren.

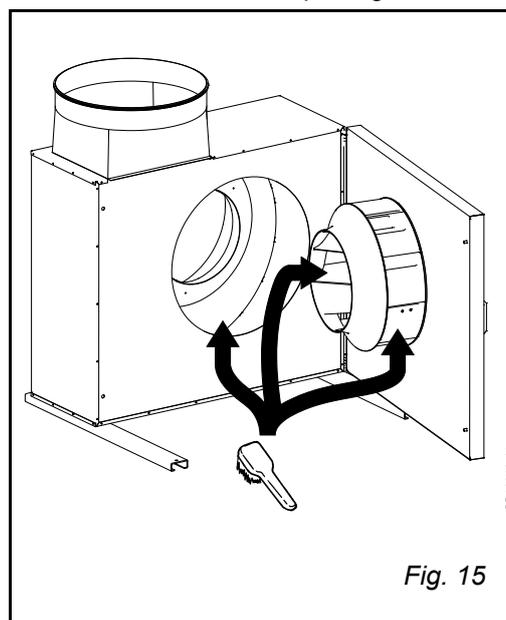


Fig. 15

1.8 Miljødeklarasjon

Produktbeskrivelse EXHAUSTO BESB/FSB er en radialvifte med bakoverbøyde skovler som det er lett å foreta service på. Viften er brann-, lyd- og varmisolert med 50 mm mineralull. Viftehjulet er montert direkte på motorakselen. Det gir redusert tap og færre slitasjedeler og dermed også færre reparasjonskostnader.

Service og rengjøring foretas ved å åpne den hengslede luken. Det gir adgang til alle deler som er i kontakt med luften. Motoren er montert utenfor luftstrømmen. Det følger støtteskiner med vibrasjonsdempere med viften. Viften er CE-godkjent og EMC-testet i henhold til gjeldende direktiver.

Inngående materialer

Viftehus, snikke, støtteskiner er laget av varmgalvanisert stålplate som kan gjenvinnes. Viftehjulet er laget av trykkstøpt aluminium som kan gjenvinnes. Isoleringen består av mineralull som kan gjenbrukes ved demontering av viften. Tetningslisten består av KFK- og HKFK-fri cellegummi. Motoren består av aluminium, stål og kobber pluss eventuelt en kjølekappe i plast. Emballasjen består av bølgepapp pluss en engangspall i tre.

Materialoversikt

	BESB/ FSB250	BESB/ FSB315	BESB/ FSB400	BESB/ FSB500	BESB500 3-faset
Aluminium	11%	13%	14%	14%	14%
Fe	74%	70%	70%	70%	70%
Kobber	1%	1%	1%	2%	2%
Mineralull	9%	11%	12%	12%	12%
Printkort; elektroniske komponenter	3%	3%	2%	1%	2%
Plast, cellegummi	1%	1%	1%	1%	1%
Øvrig	1%	1%	1%	< 1%	1%

1. SE – BESB/FSB – Produkthandbok

EXHAUSTO boxfläkt BESB/FSB används för transport av luft i en till- och frånluftsanordning.



Fläktarna får inte användas för transport av fasta partiklar eller om det finns risk för explosiva gaser.



Fläktarna får inte startas med öppen servicelucka.

1.1 Konstruktion

Beskrivning

BESB/FSB finns i 4 storlekar och är en helisolerad och ljudsvag centrifugalfläkt med bakåtböjda skovlar (B-hjul) i stöpt aluminium:

- BESB250-4-1EC/FSB250-4-1EC
- BESB315-4-1EC/FSB315-4-1EC
- BESB400-4-1EC/FSB400-4-1EC
- BESB500-4-1EC/FSB500-4-1EC
- BESB500-4-3EC

Fläktarna består invändigt av ett isolerat fläkthus och utvändigt av ett skåp. Bägge delarna består av alu-zink.

Huvud-

komponenter

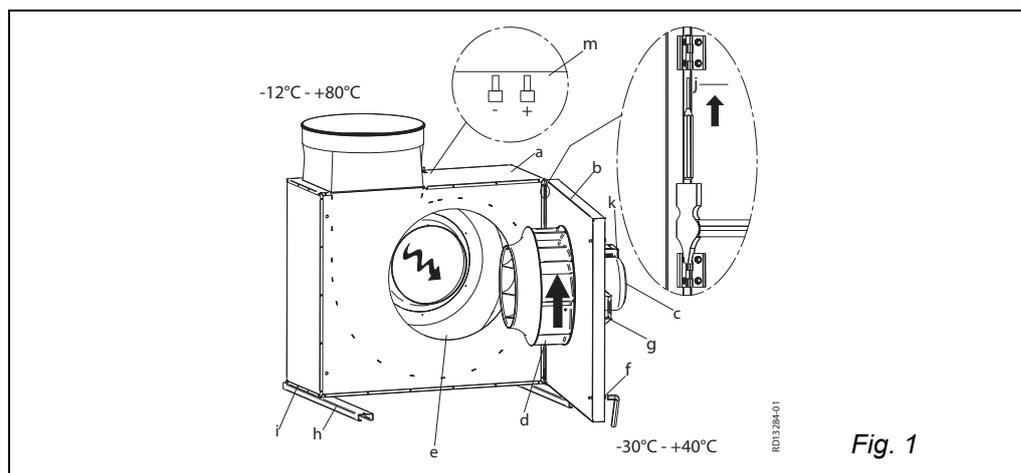


Fig. 1

Pos.	Del
a	Skåp
b	Servicelucka
c	Motor
d	Centrifugalhjul (B-hjul)
e	Fläkthus
f	Låsskruv (verktyg medföljer)
g	Handtag
h	Bärskenor med vibrationsdämpare
i	Självborrande skruv
j	Gångjärn
k	EC-styrning/anslutningsbox
m	Mättnippel för mätning av luftmängden (ej BESB/FSB250)

Temperatur medium min.: -12 °C max.: +80 °C

Temperatur – omgivningar, drift min.: -30 °C max.: +40 °C

1.2 Transport

Fläkten levereras med emballage och kan transporteras på en träpall. Efter uppäckning ska fläkten transporteras och hanteras så att skåpet och stosarna inte deformeras eftersom detta kan orsaka beröring mellan de roterande delarna. Detta kan skapa behov av efterjustering/reparation.

Vid transport genom trånga passager till uppställningsplatsen är det möjligt att demontera serviceluckan som visas i avsnitt 2.1 "Konstruktion".

Obs!

Fläkten får inte lyftas i handtaget på serviceluckan.

Vikt

BESB/FSB	250	315	400	500	
(kg)	52	57	73	88	91 (-3)

1.3 Montering

1.3.1 Inomhusmontering



Fläkten kan monteras på flera olika sätt inomhus (bild 2).

Om monteringsmetoderna B och D tillämpas ska serviceluckan hållas fast i öppet läge vid service. För detta ändamål kan ett säkerhetsbeslag inkl. monteringsats levereras som tillbehör.

Vid periodisk drift där det finns risk för kondensvatten i motorn, bör endast monteringsmetod A eller B användas.

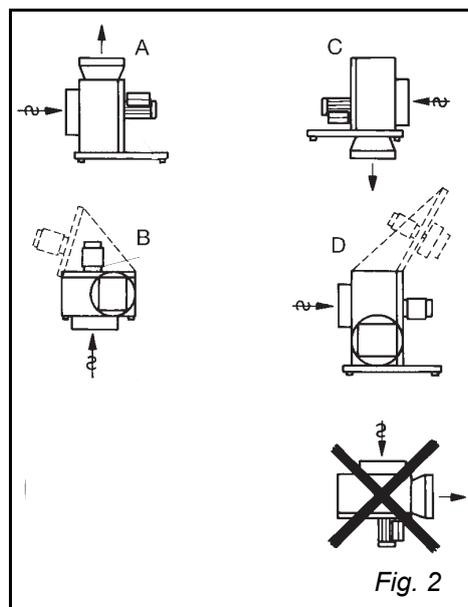


Fig. 2

Serviceutgång

Fläkten kan monteras på valfri plats. Se dock till att serviceluckan kan öppnas ca 80° och att låsskruvarna är tillgängliga.

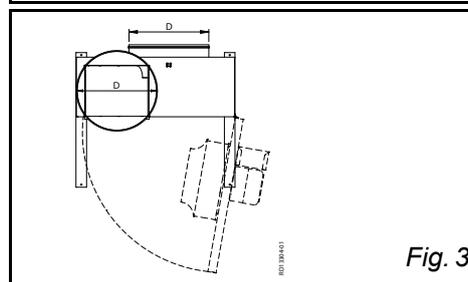


Fig. 3

Varning!



Motorn får aldrig placeras lodrätt under skåpet och dessutom måste det kunna garanteras att motorn och EC-styrningen inte övertäcks eftersom detta kan leda till överhettning.

1.3.2 Placering utomhus (OD)



Om fläkten har typbeteckningen OD är det en utomhusmodell och kan användas till transport av luft i temperaturområdet upp till 200°C. Dessutom är denna variant försedd med utlopp i monteringsmetod "A".

Vid utomhusmontering ska monteringsmetod A eller B tillämpas. Monteringsmetod C och D kräver en specialbyggd fläkt – kontakta EXHAUSTO (bild 4).

Alla utvändiga fogar och tätningar är utformade för att förhindra att vatten tränger in.

Skåpets material uppfyller kraven på klass C4 enl. DS/EN ISO12 944.2 och är avsedd för utomhusplacering.

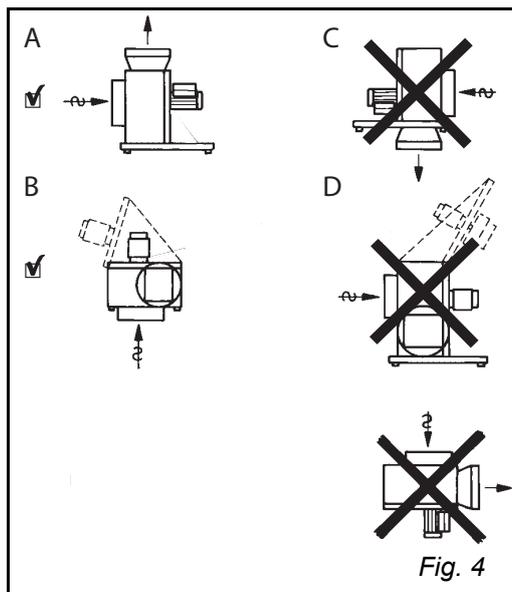


Fig. 4

Serviceutgång

Fläkten kan monteras på valfri plats. Se dock till att serviceluckan kan öppnas ca 80° och att låsskruvarna är tillgängliga.

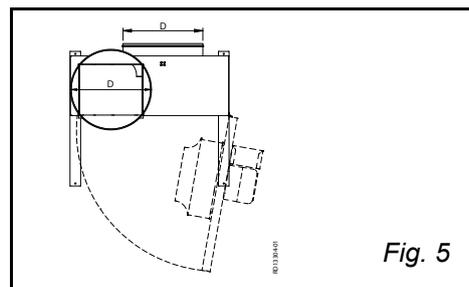


Fig. 5

1.3.3 Montering av bärskenor

- Underlaget ska vara jämnt, stabilt och vibrationsfritt för att minimera överföringen av eventuella svängningar från fläkten. Sätt t.ex. en solid cementplatta ovanpå en solid träkonstruktion.
- Montera bärskenorna på skåpet med de medföljande skruvarna. Vid monteringsmetod A är skåpet förborrat.
- **BESB/FSB 400 och 500:** När monteringsmetod B (bild 2/4) väljs för BESB/FSB 400 och 500, borra hål (Ø16–Ø20) i skåpet för muttrarna på bärskenorna.
- Montera bärskenorna medan fläkten ligger på träpallen från transporten.
- Sätt fläkten löst på underlaget. Den får ej spännas fast.

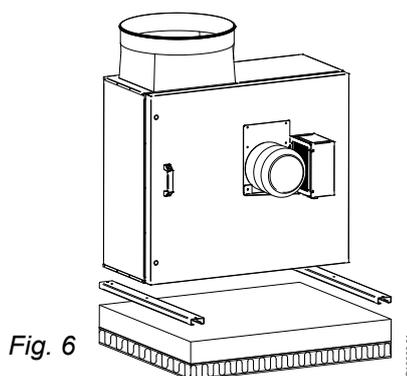


Fig. 6

1.4 Elanslutning

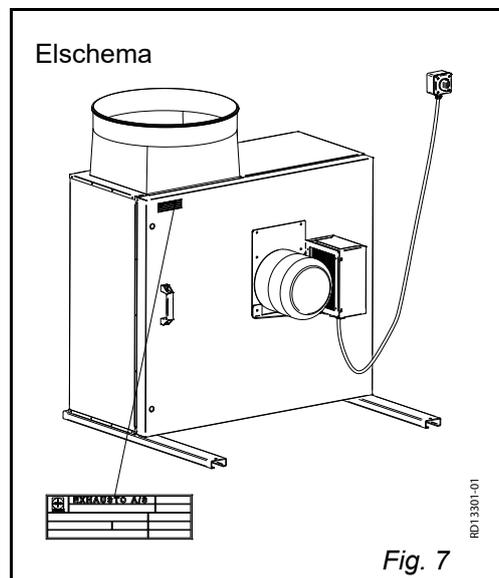
Allmänt



Elinstallationerna ska göras av en auktoriserad elmontör.

Specifikationer för fläkten och motorn framgår av typskylten.

Max. säkring = 13 A.



Om säkringen är en	... ska den ha karakteristiken
smältsäkring	gG eller gM.
automatsäkring	B eller C och uppfylla SS-EN 90947-2.

Max kortslutningsström är 10 kA

Vid uppstart och reglering av ventilationsanläggningen är det viktigt att kontrollera motorns cirkulationsriktning och att strömförbrukningen ej överstiger märkströmmen på typskylten eftersom det medför att motorn överbelastas.

Huvudströmbrytare



EXHAUSTO A/S ber dig observera att i enlighet med Maskindirektivet (bilaga 1) skall en huvudströmbrytare installeras vid fast montering av fläkten.

Huvudströmbrytaren skall ...

- vara låsbar eller placeras synlig i närheten av fläkten.
- kunna bryta alla polerna för matningsspänningen
 - kontaktavstånd minst 3 mm för varje pol.
- utföras som huvudströmbrytare enligt IEC 60947-1 eller IEC 60947-3

Huvudströmbrytaren ingår inte i leveransen från EXHAUSTO.

Åskledare...

... ska monteras enligt gällande lagar och bestämmelser.

1.4.1 Fläktar med EC-styrning

Allmänt Alla fläktar med typbeteckningen "EC" är reglerbara genom den inbyggda EC-styrningen.

Kablar De ledningar som ska anslutas till ingångarna för styrsignaler ska i hela sin längd ha förstärkt isolering i förhållande till matningsledningarna.

OBS På grund av EMK-kraven får kabeln mellan EC-styrningen och EC-motorn inte förlängas.

ESD  **Elektrikern ska vara skyddad mot elektriska urladdningar (ESD-skyddad)**

- när locket tas bort från EC-styrningen
- under arbete med EC-styrningen

1.4.1.1 BESB250-4-1EC & BESB315-4-1EC

Kabeltyp Kablar för styrsignaler skall vara med parade ledere. Kabeltypen ska minst vara en CAT5e Ethernet kabel.

Schema

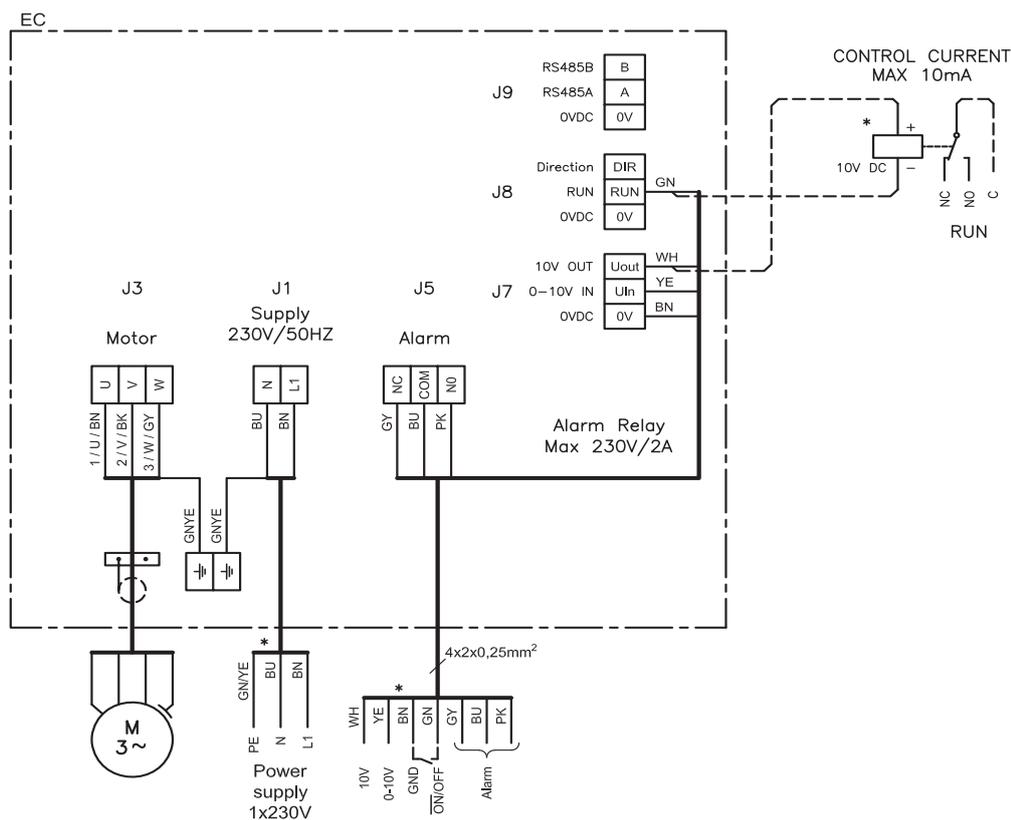


Fig. 8

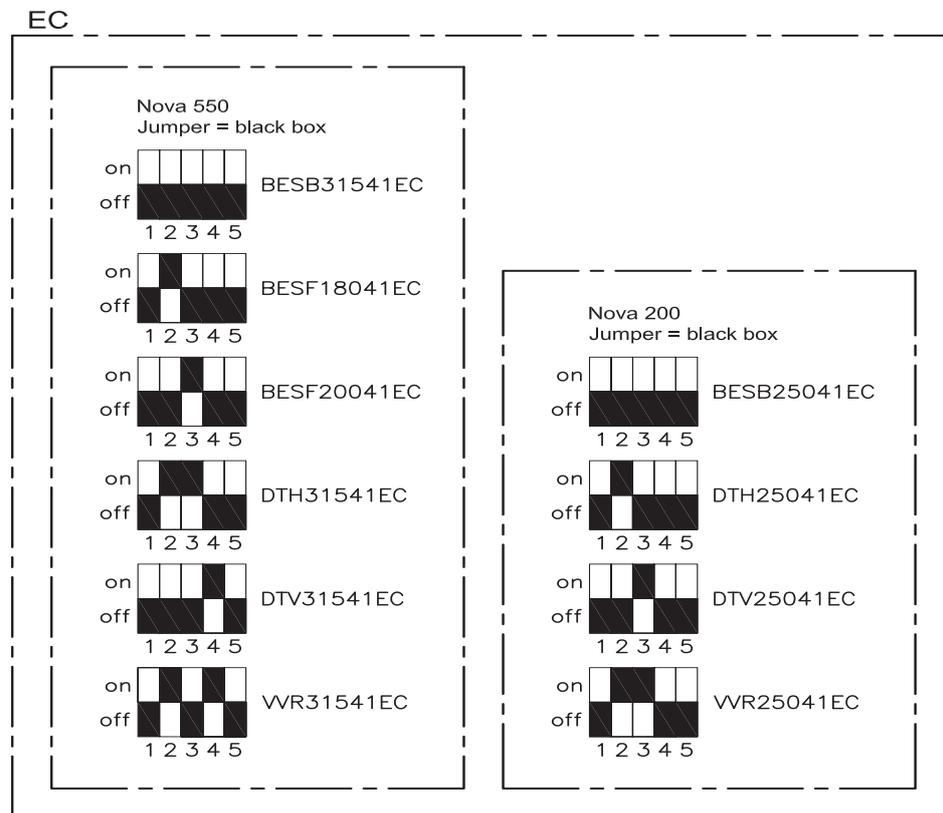
*ingår ej i leveransen från EXHAUSTO.

RD1.4.1.46-02

Förklaring till schema

Terminal	Klämma	Signalbeskrivning
J9	B	RS485 - (B)
	A	RS485 +(A)
	0V	0 V DC (chassi)
J8	DIR	Rotationsriktning
	RUN	Start/stopp
	0V	0 V DC (chassi)
J7	U out	10V DC
	U in	0-10V DC
	0V	0 V DC (chassi)
J5	NC	Alarm NC
	COM	Alarm C
	NO	Alarm NO

Placering af dipswiche



R014145-01

Fig. 9

1.4.1.2 FSB250-4-1EC, FSB315-4-1EC, BESB/FSB400-4-1EC, BESB/FSB500-4-1EC

Kabeltyp Kablar för styresignaler ska vara skärmade.

Schema

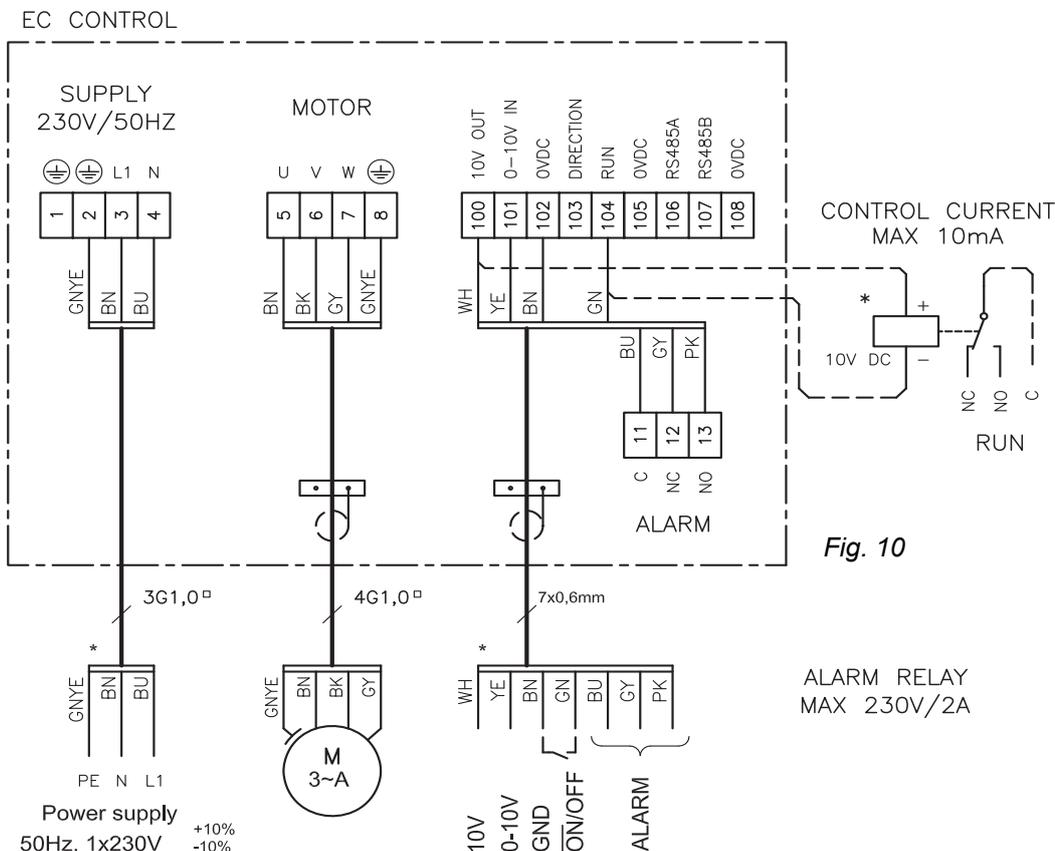


Fig. 10

*ingår ej i leveransen från EXHAUSTO.

Förklaring till schema

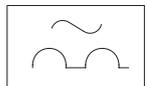
Klämma	Signalbeskrivning
100	10 V DC
101	0-10 V DC
102	0 V DC (chassi)
103	Rotationsriktning
104	Start/stopp
105	0 V DC (chassi)
106	RS485 + (A)
107	RS485 - (B)
108	0 V DC (chassi)
11	Larm C
12	Larm NO
13	Larm NC

Läckström EC-styrningen afgiver under drift en läckström som är mindre än 3,5 mA. Läckströmmen ska ledas till jorden eftersom det annars finns risk för att motorn blir spänningsförande.

RD13274-07

Jordfelsbrytare Om man monterar jordfelsbrytare i installationen, skall dessa vara av en typ som uppfyller följande krav:

- Jordfelsbrytare av typA enligt EN61008, som bryter när den registrerar en felström med likströmskomponent (pulserande likström).
- Jordfelsbrytarna ska vara märkta med följande symbol



Krav **Frånkopplingstid på max. 0,3 sekunder**

Dimensionering av nolledare Vid installation av flera 1-fas BESB/FSB med EC i samma nät med gemensam nolledning ställs speciella krav på dimensioneringen av nolledaren, eftersom den upptagna strömmen inte är sinusformad.

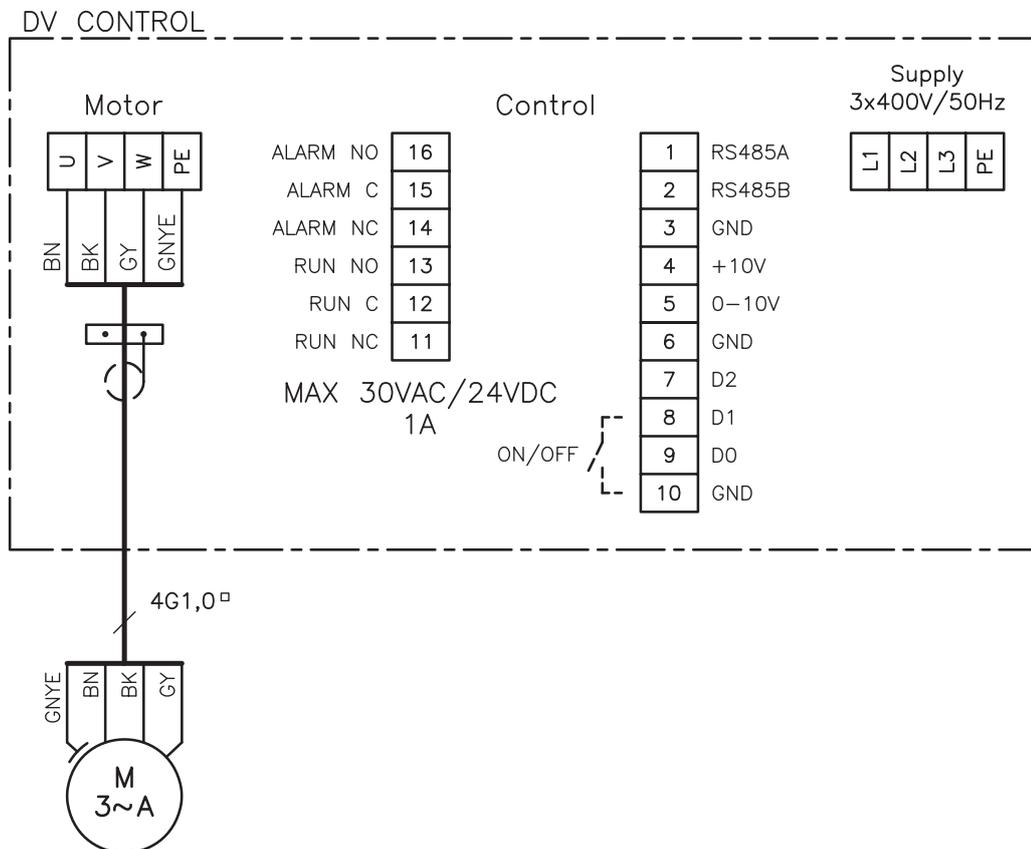
Exempel Om 3 EC-motorer t.ex. installeras fördelat på 3 faser är nollströmmen lika med summan av de 3 motorernas ström.

Befintlig installation Om motorerna ansluts till en befintlig installation måste du kontrollera om nolledaren klarar belastningen.

1.4.1.3 BESB500-4-3-EC

Kabeltyp Kablar för styresignaler ska vara skärmade.

Schema



RD14173-01

Fig. 11

*ingår ej i leveransen från EXHAUSTO.

Förklaring till schema

Klämma	Signalbeskrivning	Anmärkningar
1	RS485 + (A)	
2	RS485 - (B)	
3	0 V DC (chassi)	
4	10 V DC	EFC1P panel 5
5	0-10 V DC	EFC1P panel 4
6	0 V DC (chassi)	EFC1P panel 3
7		
8	Start/stopp	EFC1P panel 2
9		
10	0 V DC (chassi)	
11	Run NC	

Klämma	Signalbeskrivning	Anmärkningar
12	Run C	
13	Run NO	
14	Larm NC	
15	Larm C	EFC1P panel B
16	Larm NO	EFC1P panel A

Läckström

EC-styrningen avger läckström under drift. Läckströmmen ska ledas till jorden eftersom det annars finns risk för att motorn blir spänningsförande.

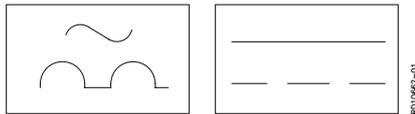
Läckström på upp till 150 mA kan förekomma.

För att uppfylla EN50178 ska fläkten anslutas till förstärkt jord.

Jordfelsbrytare

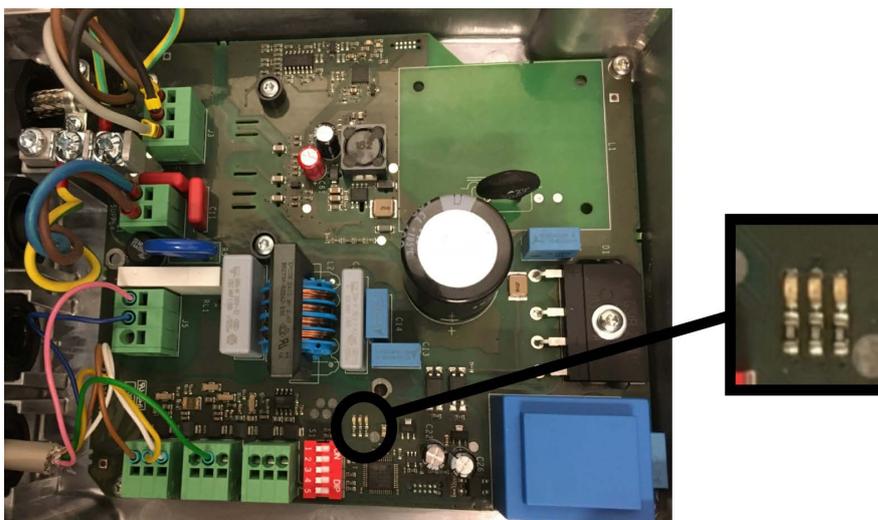
Om man monterar jordfelsbrytare i installationen, skall dessa vara av en typ som uppfyller följande krav:

- PFI-brytare av typ B enligt EN61008, som bryter när den registrerar en felström med likströmskomponent (pulserande likström) och glättad felström.
- Jordfelsbrytarna ska vara märkta med följande symboler:



1.4.2 Felsökning för 1-fas EC-styring

1-fas NOVA EC-styring



1-fas EC-styring



Dioder

- Diod 1: Röd
- Diod 2: Gul
- Diod 3: Grön

Felsökningsschema

- Grön diod tänd: inget fel
- Röd diod tänd: Det är något som är fel, larm relä drar
- Gul diod: Blinkar för feltypen

Felkod	Grön	Röd	Gul	Fel	Relä
Ingen	+	-	-		
1			Reserverad	Ej implementerad	
2	-	+	2 gånger/paus 4 sekunder	Underspänning 170 v	+
3	-	+	3 gånger/paus 4 sekunder	Överspänning 255 v	+
4	+	-	4 gånger/paus 4 sekunder	Överström: Reducerat varvtal	-
5			Reserverad	Ej implementerad	

Felkod	Grön	Röd	Gul	Fel	Relä
6	+	-	6 gånger/paus 4 sekunder	Överhettning: Reducerat varvtal	-
7	-	+	7 gånger/paus 4 sekunder	Överhettning: Stopp	+
8	-	+	8 gånger/paus 4 sekunder	Maskinvarufel	+
9	-	+	9 gånger/paus 4 sekunder	MCE-fel (IRF-chip allmänt fel)	+
10	-	+	10 gånger/paus 4 sekunder	Motor blockerad	+
11	-	+	11 gånger/paus 4 sekunder	Motorfas saknas	+
12			Reserverad	Ej implementerad	
13			Reserverad	Ej implementerad	
14			Reserverad	Ej implementerad	
15			Reserverad	Ej implementerad	
16	-	+	16 gånger/paus 4 sekunder	Kommunikationsfel	+

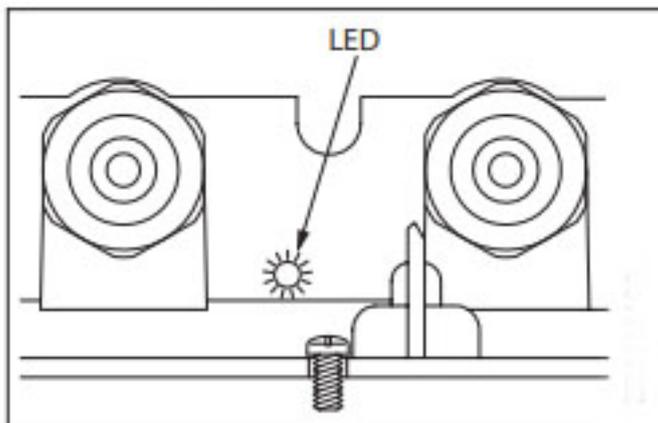
Obs!

När felet är avhjälpt kan indikatorn (blinkande diod) på EC-styrningen stängas av genom att matningsspänningen till lysdioden temporärt bryts.

EXHAUSTO erbjuder 2 års fabriksgaranti på fläktarna.

1.4.3 Felsökning för 3-fas EC-styrning

3-fas DV-EC-styrning



LED-indikeringar

- 3 - fas DV-EC-styrning har en 2-färgad, grön- och rödfärgad, LED-indikering för olika driftlägen.
- LED-indikering är placerad på undersidan av styrningen, bredvid nätanslutningens kabelgångar.

Felsökning

- Fast grönt sken vid nätanslutning.
- Blinkar grönt vid aktiv Modbus-kommunikation.
- Konstant röd vid minst ett kritiskt larm
- Blinkar rött vid minst ett icke-kritiskt larm

Tilbehör

- En tillbehörsterminal (4000692) för drift og alarm information kan köpas som tillbehör.

1.5 Kanalanslutning

Flexibla anslutningar

Fläkten ska alltid anslutas till kanalsystemet via flexibla förbindelser av typen FLF för att undvika att eventuella vibrationer överförs. Stosarna på fläkten är av standarddimension och är monterade med gummitätning.

Fläkten skall monteras med enligt ritning angiven längd före och efter fläkten. Detta för att undvika turbulens och ökat slitage, och för att kunna uppnå maximal effekt och minimal energiförbrukning. Montera alltid de flexibla förbindelserna av FLF-typ som visas på bilden.

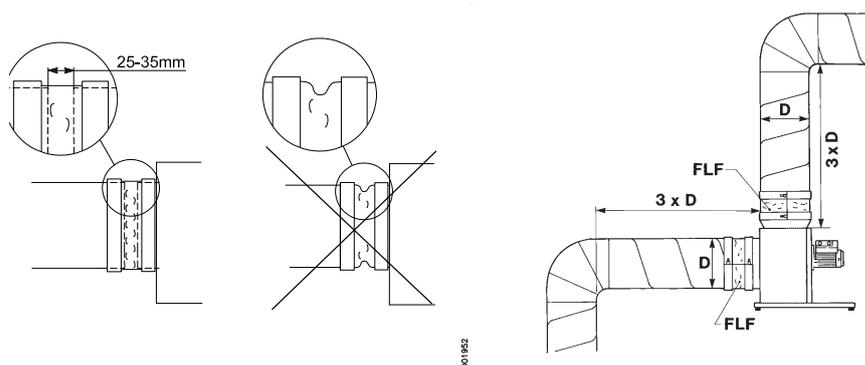
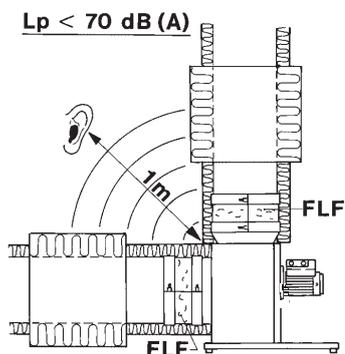


Fig. 12

RD11360-01

Ljudtrycknivå

Fläkten monteras med ljuddämpare i enlighet med kraven som gäller inom det område där den ska användas. Ljudtrycknivån mot omgivningen ligger för alla typer av BESB/FSB under 70 dB (A). Med hänsyn till ljudutsträngning, värmeavgivning och kondensation ska kanalsystemet isoleras.



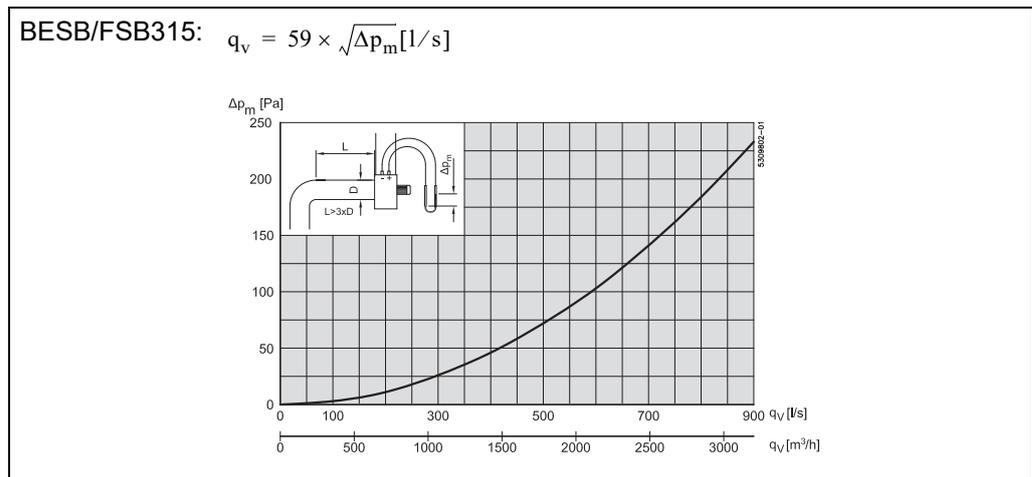
RD11361-01

Fig. 13

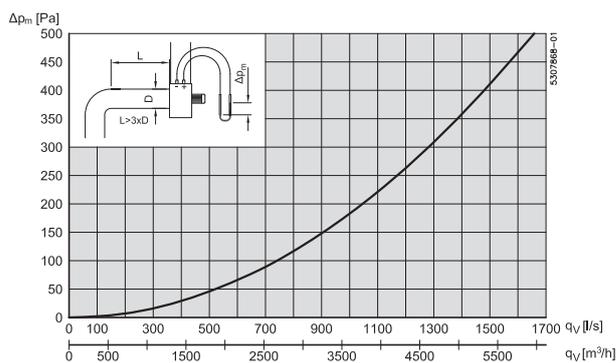
1.6 Mätning av luftmängd

Boxfläktarna är försedda med inbyggda mätpunkter för mätning av luftmängd (med undantag för BESB/FSB250). Mätpunkterna ansluts till en manometer och luftmängden (qv) kan därefter beräknas med hjälp av en formel eller genom att läsa av diagrammen. Mätfel $\pm 8\%$ av aktuell luftmängd om kanalsystem på sugsidan utformas på det sätt som ritningen i diagrammen visar.

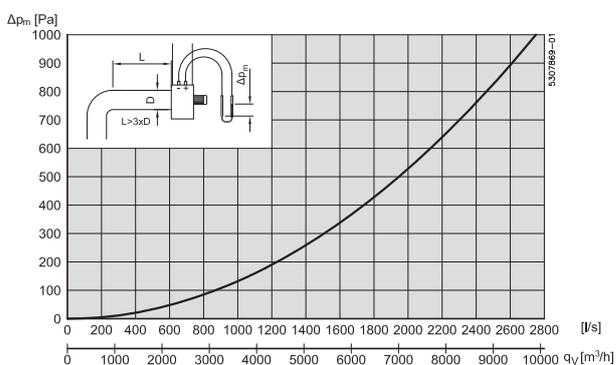
- Förutsättningar för diagram och formler:
- Temperatur: 20 °C
- Densitet: 1,2 kg/m³
- Tryckmätning, Δp_m [Pa], vid 20 °C
- 1 m³/s = 1000 l/s = 3600 m³/h



$$\text{BESB/FSB400: } q_v = 75 \times \sqrt{\Delta p_m} [\text{l/s}]$$



$$\text{BESB/FSB500: } q_v = 87 \times \sqrt{\Delta p_m} [\text{l/s}]$$



1.7 Service och rengöring

EXHAUSTO lämnar 2 års fabriksgaranti på fläkten, räknat från fakturadatum. Motorn i EXHAUSTO boxfläkt BESB/FSB har engångsmorda, låsta specialkullager som är underhållsfria. Ev. byte av lager bör endast utföras av EXHAUSTO SERVICE eller någon med motsvarande fackkunskaper.

- Bryt strömmen till fläkten med huvudströmbrytaren. När fläkten har slutat rotera kan serviceluckan öppnas.
- Fläkthus och centrifugalhjul tvättas grundligt med såpvatten. Delarna ska vara torra innan fläkten startas och serviceluckan ska vara stängd.
- Centrifugalhjulet kan demonteras och rengöras. Mät ut hjulets placering på axeln före demontering. Hjulets placering från fabriken är angiven på skåpet bakom serviceluckan. Ev. balanseringsvikter på centrifugalhjulet får inte avlägsnas.
- Kontrollera att det finns fri tillgång på kylluft genom kylmanteln.

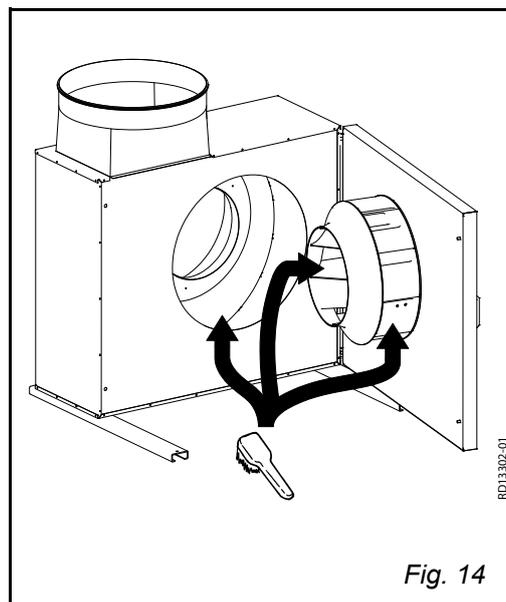


Fig. 14

RD13302-01

1.8 Miljödeklaration

Produkt- beskrivning

EXHAUSTO BESB/FSB är en radialfläkt som är lätt att serva med bakåtriktade rotorblad. Fläkten är brand-, ljud- och värmeisolerad med 50 mm mineralull. Fläkthjulet är monterat direkt på motoraxeln, vilket minskar förluster och innebär färre slitagedelar och därmed lägre reparationskostnader.

Service och rengöring sker genom att öppna den gångjärnsförsedda luckan, varigenom man får åtgång till alla delar som har kontakt med luften. Motorn är monterad utanför luftströmmen.

Till fläkten medföljer stödskenor med vibrationsdämpare. Fläkten är CE-godkänd och EMC-testad i enlighet med gällande direktiv.

Konstruktions- material

Fläkthus, skruv, stödskenor är tillverkade av varmgalvaniserad stålplåt som kan återvinnas. Fläkthjul är tillverkat av pressgjuten aluminium som kan återvinnas. Isoleringen består av mineralull som kan återanvändas vid demontering av fläkten. Tätningslisterna består av CFC- och HCFC-fri cellgummi.

Motorn består av aluminium, stål och koppar och eventuellt en kylmantel. Emballaget består av wellpapp samt engångspall av trä.

Materialöversikt

	BESB/ FSB250	BESB/ FSB315	BESB/ FSB400	BESB/ FSB500	BESB500 3-fas
Aluminium	11%	13%	14%	14%	14%
Järn	74%	70%	70%	70%	70%
Koppar	1%	1%	1%	2%	2%
Mineralull	9%	11%	12%	12%	12%
Kretskort; elektronik- komponenter	3%	3%	2%	1%	2%
Plast, cellgummi	1%	1%	1%	1%	1%
Annet	1%	1%	1%	< 1%	1%



Scan code and go to addresses at
www.exhausto.com