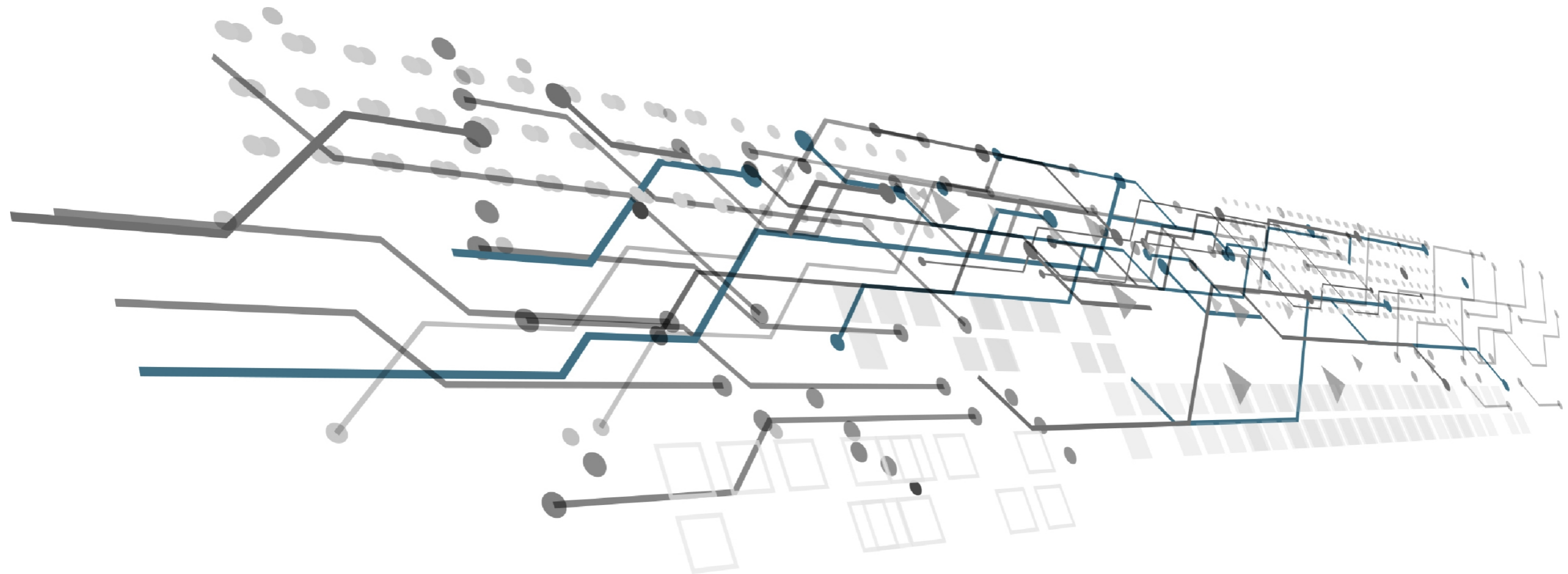


VEX1000 Wiring diagram Accessories

EXcon+ automatic


EXcon+ automatik

Systeme de régulation EXcon+



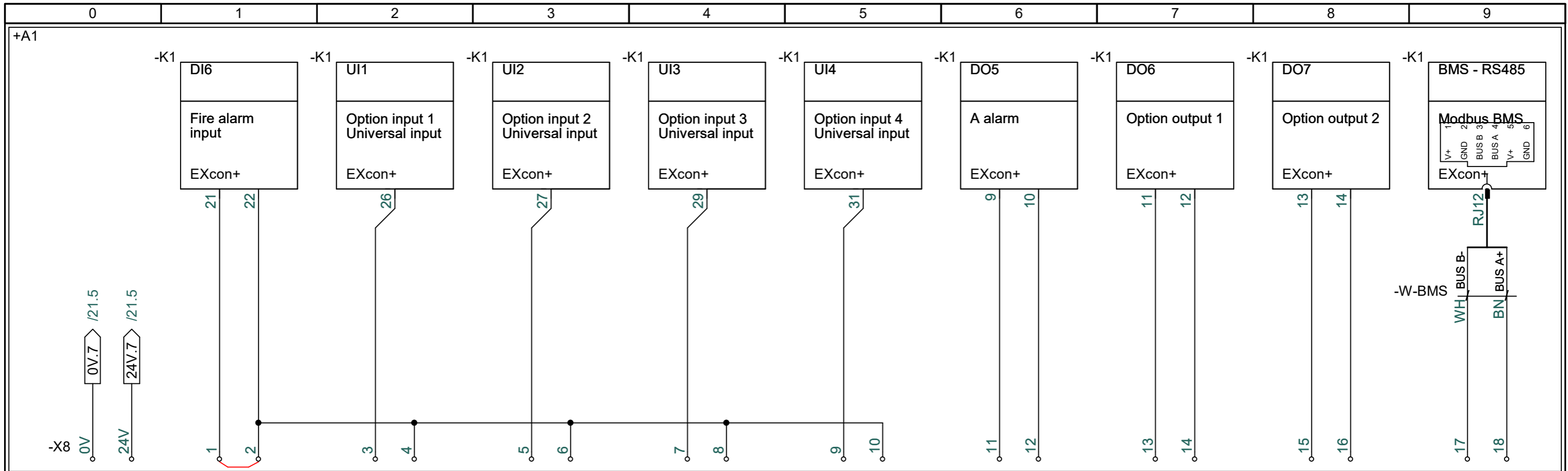
VEX1000 Accessories

3006851

	Project: VEX1000 Accessories	Start date: 31-10-2024	Constructor: DKTSA	Page: 1	
		Revision date: 18-12-2024	Approved by: DKLEG	Previous page: 0	
Drawing number: 3006851	Revision: B	Page Title: Frontpage	Replaces: A	Scale: 1:1	Next page: 2
			EC no.:	Format: A3	Pages in total: 25

IO	Default setting	Comment
Digital input 6	Fire alarm	Mandatory
Universal input 1 - Option 1	External High Speed mode	-
Universal input 2 - Option 2	External Medium Speed mode	Can change depending on the coil configuration
Universal input 3 - Option 3	External Low Speed mode	Can change depending on the coil configuration
Universal input 4 - Option 4	External resetting of alarms	Can change depending on the coil configuration
Digital output 5	"A" alarm	Mandatory
Digital output 6 - Option 1	User relay	-
Digital output 7 - Option 2	Operating relay	-
IO	Standard-Einstellung	Kommentar
Digitaleingang 6	Feueralarm	Obligatorisch
Universaleingang 1 - Option 1	Externer Hochgeschwindigkeitsmodus	-
Universaleingang 2 - Option 2	Externer Mittlerer Geschwindigkeitsmodus	Kann je nach Registerkonfiguration geändert werden
Universaleingang 3 - Option 3	Externer Niedriggeschwindigkeitsmodus	Kann je nach Registerkonfiguration geändert werden
Universaleingang 4 - Option 4	Externes Zurücksetzen von Alarmen	Kann je nach Registerkonfiguration geändert werden
Digitalausgang 5	"A" Alarm	Obligatorisch
Digitalausgang 6 - Option 1	Benutzer-Relais	-
Digitalausgang 7 - Option 2	Betriebsrelais	-
IO	Réglage par défaut	Commentaire
Entrée numérique 6	Alarme incendie	Obligatoire
Entrée universelle 1 - Option 1	Mode haute vitesse externe	-
Entrée universelle 2 - Option 2	Mode vitesse moyenne externe	Peut changer selon la configuration de la bobine
Entrée universelle 3 - Option 3	Mode basse vitesse externe	Peut changer selon la configuration de la bobine
Entrée universelle 4 - Option 4	Réinitialisation externe des alarmes	Peut changer selon la configuration de la bobine
Sortie numérique 5	"A" alarme	Obligatoire
Sortie numérique 6 - Option 1	Relais utilisateur	-
Sortie numérique 7 - Option 2	Relais de fonctionnement	-

aldes EXHAUSTO	Project: VEX1000 Accessories		Start date: 31-10-2024	Constructor: DKTSA	Page: 3
	Revision: B		Revision date: 18-12-2024	Approved by: DKLEG	Previous page: 2
Drawing number: 3006851	Page Title: I/O Settings - Customer connections		Replaces: A	Scale: 1:1	Next page: 4
			EC no.:	Format: A3	Pages in total: 25



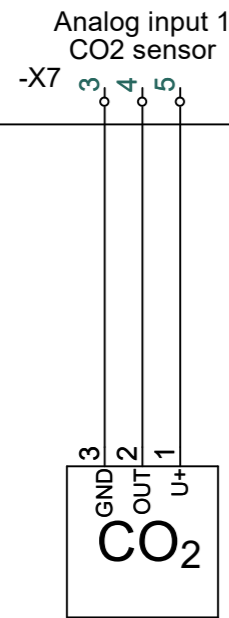
Type
 KCO2
 RCO2
 RLQ
 O-KRM
 UG-5
 BT40-70
 HYRK
 S-KH-10U
 PIR
 Timerbutton
 TTH-6040-O
 TTH-6040-W
 HMI-20T
 VTH-6202
 PTH4000

Description
 CO2 sensor 0-10V to duct mounting
 CO2 sensor 0-10V for room installation
 VOC air quality sensor 0-10V for room installation
 Smoke detector for duct mounting from Oppermann
 Smoke detector for duct mounting from Calectro
 Fire thermostat 40-70°
 Hygrostat for room installation
 Hygrostat for duct mounting
 PIR sensor motion detector
 Timerbutton with LED indicator
 External outdoor temperature sensor
 Temperature sensor for room installation
 2" HMI for room mounting with temperature sensor
 VOC/CO2 sensor for duct mounting
 PTH-6202 pressure transmitter kit for Constant Pressure regulation

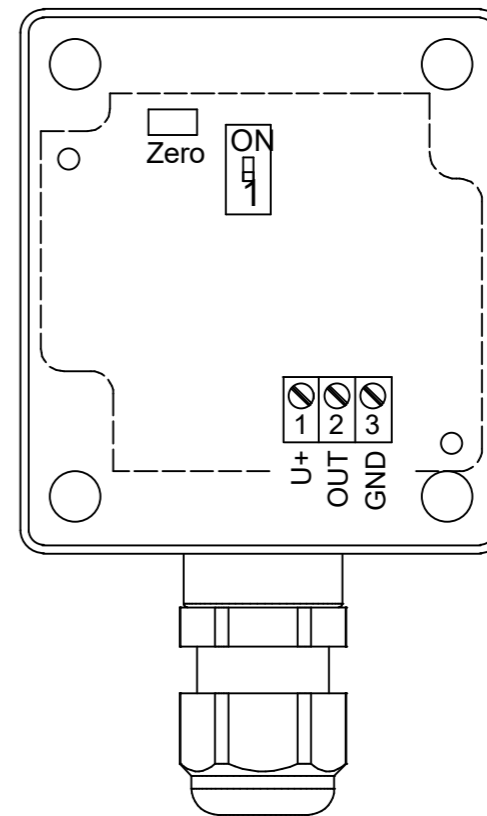
Signal type
 0-10V
 0-10V
 0-10V
 0-10V
 Digital input
 Digital input
 Digital input
 Digital input
 Digital input
 Digital input & digital output
 Modbus A
 Modbus B
 Modbus A
 Modbus B
 Modbus B

	Project: VEX1000 Accessories	Start date: 31-10-2024	Constructor: DKTSA	Page: 4	
		Revision date: 18-12-2024	Approved by: DKLEG	Previous page: 3	
Drawing number: 3006851	Revision: B	Page Title: Customer connections terminals	Replaces: A	Scale: 1:1	Next page: 10
			EC no.:	Format: A3	Pages in total: 25

0	1	2	3	4	5	6	7	8	9
Single connected item					Multible connected items				
+A1									



	Terminal	3 GND	2 OUT	1 U+
Standard	-X7	:3	:4	:5

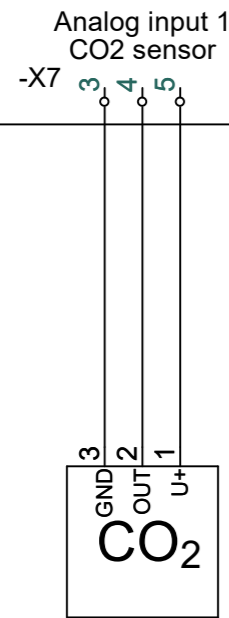


Only one CO2/VOC sensor can be installed

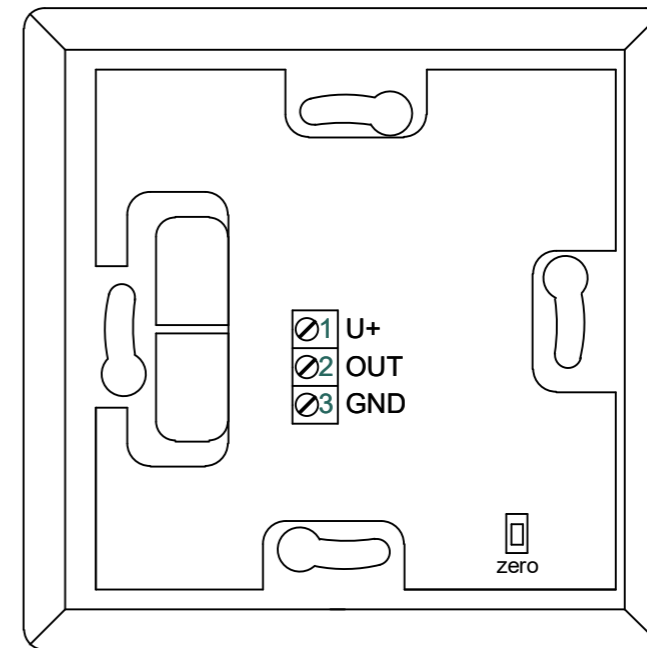
CO2 sensor 0-10V for duct installation

aldes EXHAUSTO Drawing number: 3006851	Revision: B	Project: VEX1000 Accessories Page Title: KCO2-SD	Start date: 31-10-2024	Constructor: DKTSA	Page: 10
			Revision date: 18-12-2024	Approved by: DKLEG	Previous page: 4
			Replaces: A	Scale: 1:1	Next page: 11
			EC no.:	Format: A3	Pages in total: 25

0	1	2	3	4	5	6	7	8	9
Single connected item					Multible connected items				
+A1									



	Terminal	3 GND	2 OUT	1 U+
Standard	-X7	:3	:4	:5

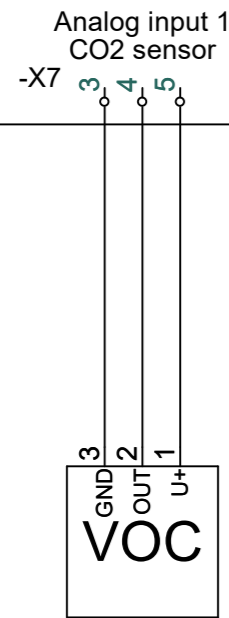


Only one CO2/VOC sensor can be installed

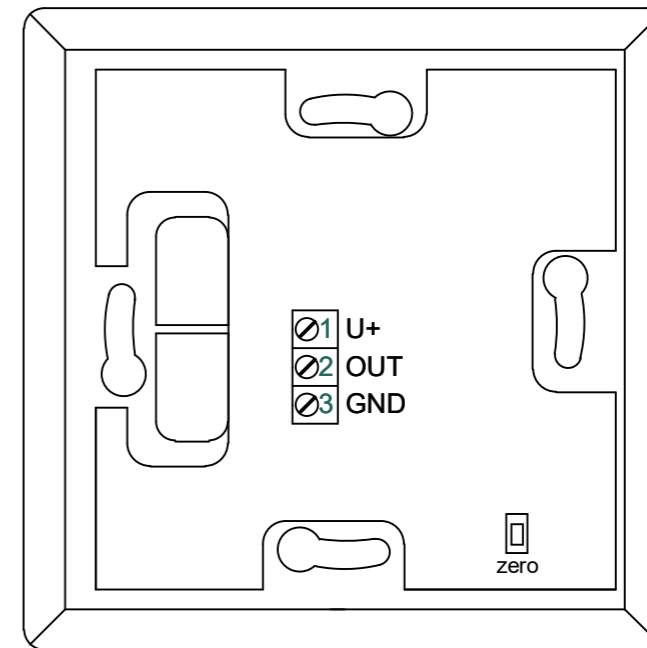
CO2 sensor 0-10V for room installation

aldes EXHAUSTO Drawing number: 3006851	Revision: B	Project: VEX1000 Accessories Page Title: RCO2-SD-U	Start date: 31-10-2024	Constructor: DKTSA	Page: 11
			Revision date: 18-12-2024	Approved by: DKLEG	Previous page: 10
			Replaces: A	Scale: 1:1	Next page: 12
			EC no.:	Format: A3	Pages in total: 25

0	1	2	3	4	5	6	7	8	9
Single connected item					Multible connected items				
+A1									




	Terminal	3 GND	2 OUT	1 U+
Standard	-X7	:3	:4	:5

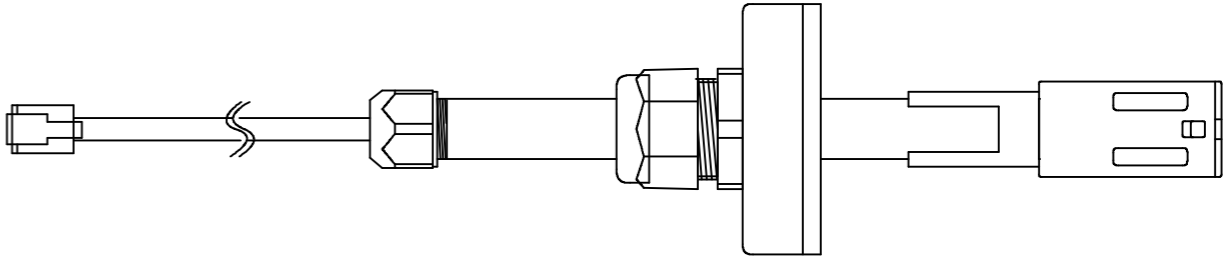
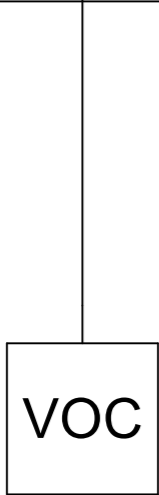


Only one CO2/VOC sensor can be installed

VOC air quality sensor 0-10V for room installation

aldes EXHAUSTO Drawing number: 3006851	Revision: B	Project: VEX1000 Accessories Page Title: RLQ-SD-U	Start date: 31-10-2024	Constructor: DKTSA	Page: 12
			Revision date: 18-12-2024	Approved by: DKLEG	Previous page: 11
			Replaces: A	Scale: 1:1	Next page: 13
			EC no.:	Format: A3	Pages in total: 25

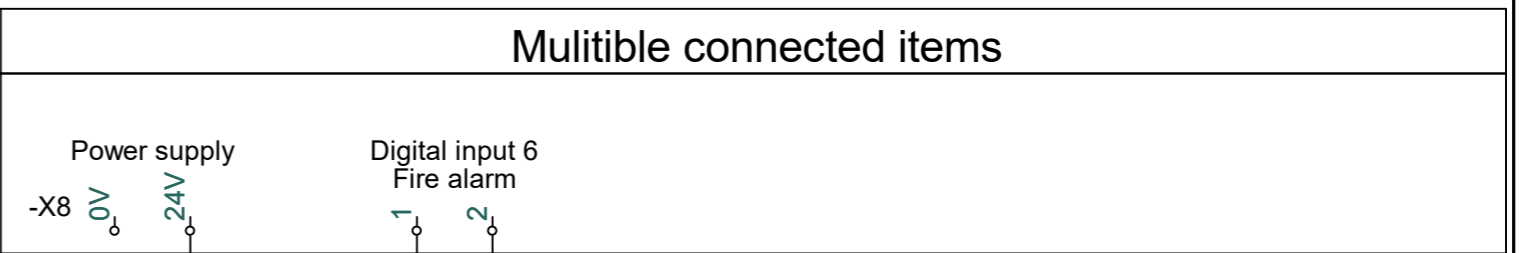
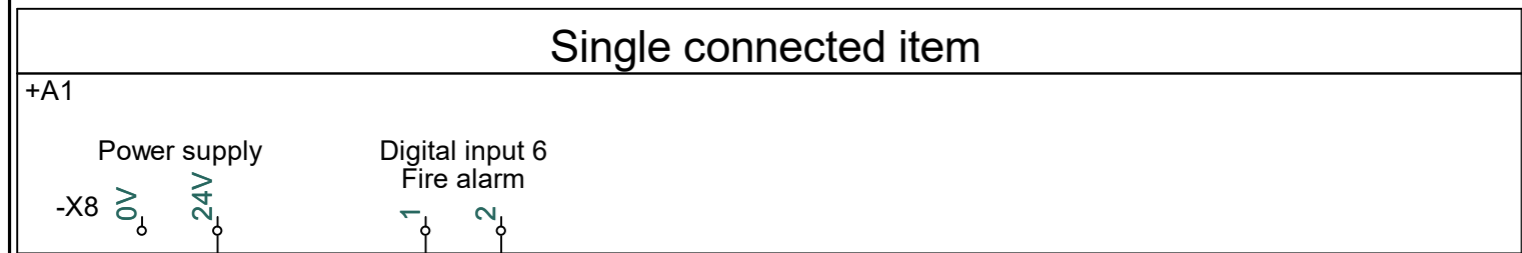
Single connected item	Multible connected items
+A1 Modbus B RS485 	



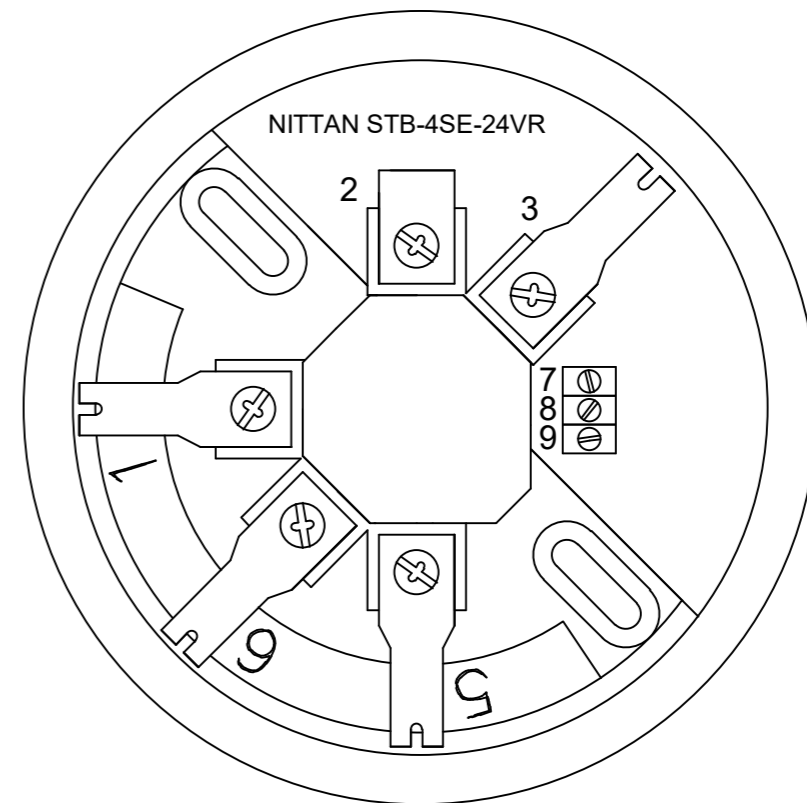
Only one CO2/VOC sensor can be installed

VOC/CO2 sensor for duct installation

aldes EXHAUSTO	Project: VEX1000 Accessories	Start date:	31-10-2024	Constructor:	DKTSA	Page:	13
		Revision date:	18-12-2024	Approved by:	DKLEG	Previous page:	12
Drawing number: 3006851	Revision: B	Page Title: VTH-6202		Replaces:	A	Scale:	1:1
		EC no.:		Format:	A3	Next page:	14
						Pages in total:	25

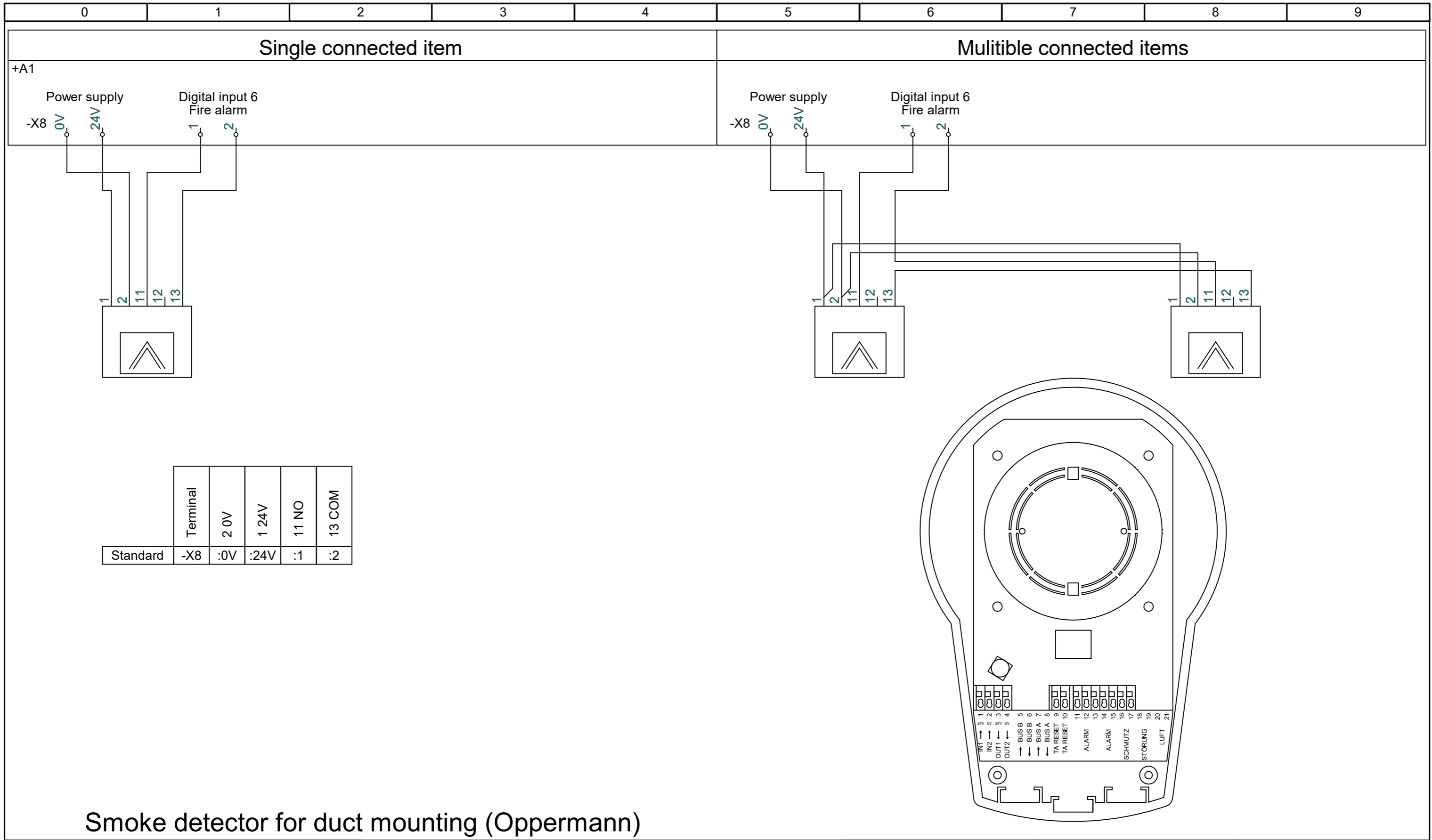


	Terminal	2 +VE In	7 NC	1 -VE in
Standard	-X8	:24V	:1	:2



Smoke detector for rooms

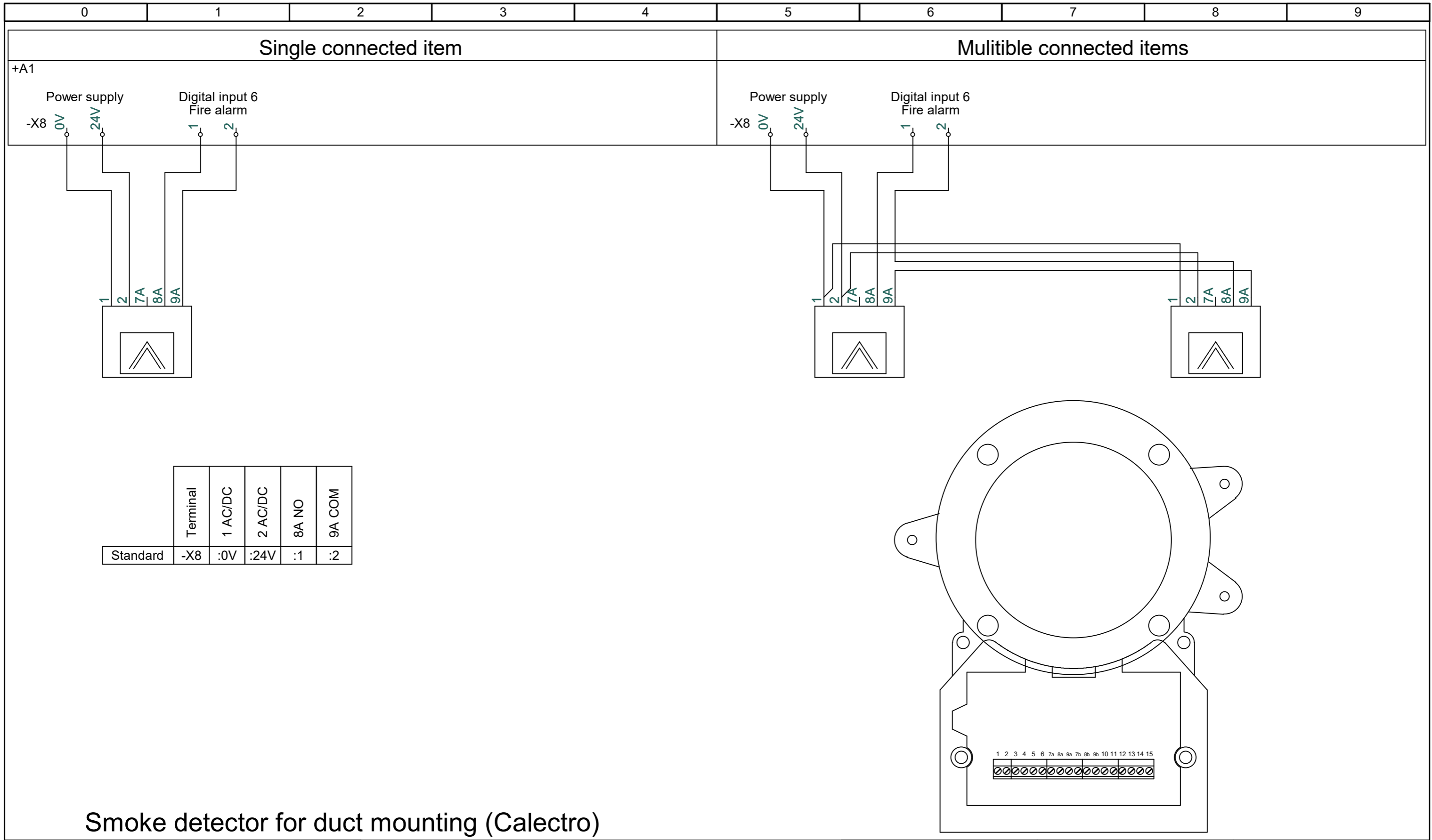
aldes EXHAUSTO	Project: VEX1000 Accessories	Start date:	31-10-2024	Constructor:	DKTSA	Page:	14
		Revision date:	18-12-2024	Approved by:	DKLEG	Previous page:	13
Drawing number: 3006851	Revision: B	Page Title: SDB		Replaces:	A	Scale:	1:1
		EC no.:		Format:	A3	Next page:	15
						Pages in total:	25



	Terminal	2 0V	1 24V	11 NO	13 COM
Standard	-X8	:0V	:24V	:1	:2

Smoke detector for duct mounting (Oppermann)

	Project:	Start date:	31-10-2024	Constructor:	DKTSA	Page:	15	
	VEX1000 Accessories	Revision date:	18-12-2024	Approved by:	DKLEG	Previous page:	14	
Drawing number:	Revision:	Page Title:	Replaces:	A	Scale:	1:1	Next page:	16
3006851	B	KRM-X-2	EC no.:		Format:	A3	Pages in total:	25

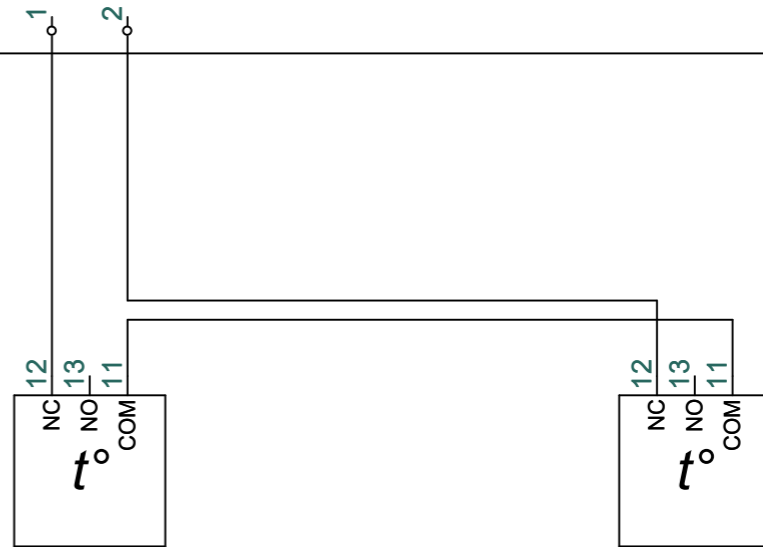
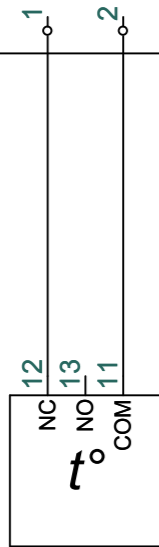
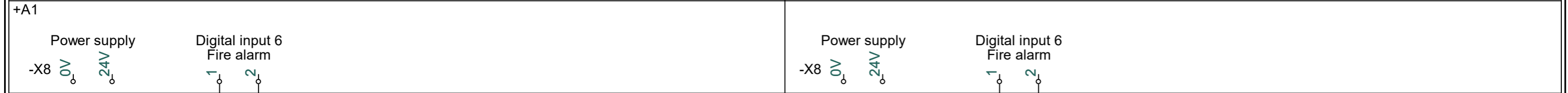


	Terminal	1 AC/DC	2 AC/DC	8A NO	9A COM
Standard	-X8	:0V	:24V	:1	:2

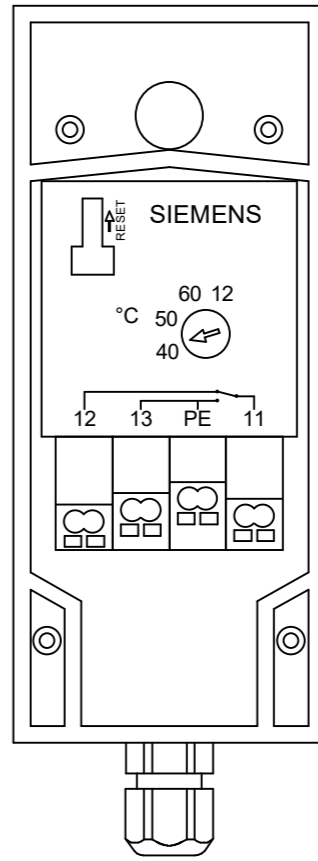
Smoke detector for duct mounting (Calectro)

aldes EXHAUSTO Drawing number: 3006851	Revision: B	Project: VEX1000 Accessories Page Title: UG-5-AFR-24V	Start date: 31-10-2024	Constructor: DKTSA	Page: 16
			Revision date: 18-12-2024	Approved by: DKLEG	Previous page: 15
			Replaces: A	Scale: 1:1	Next page: 17
			EC no.:	Format: A3	Pages in total: 25

Single connected item	Multible connected items
-----------------------	--------------------------

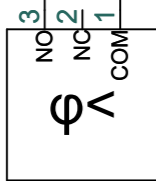
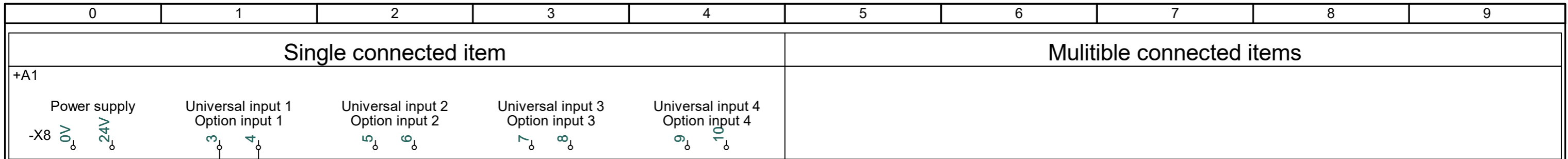


	Terminal		
		12 NC	11 COM
Standard	-X8	:1	:2



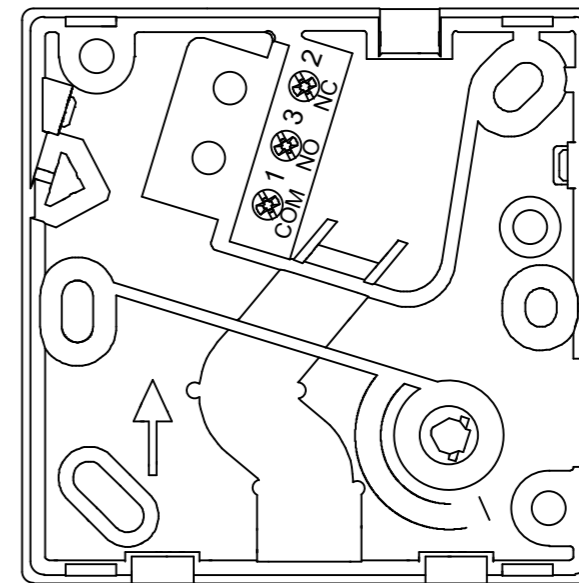
Fire thermostat 40-70°

	Project: VEX1000 Accessories	Start date:	31-10-2024	Constructor:	DKTSA	Page:	17		
		Revision date:	18-12-2024	Approved by:	DKLEG	Previous page:	16		
Drawing number: 3006851	Revision: B	Page Title: BT40-70		Replaces:	A	Scale:	1:1	Next page:	18
		EC no.:		Format:	A3	Pages in total:	25		



	Terminal	3 NO	1 COM
Standard	-X8	:3	:4
Option 1	-X8	:5	:6
Option 2	-X8	:7	:8
Option 3	-X8	:9	:10

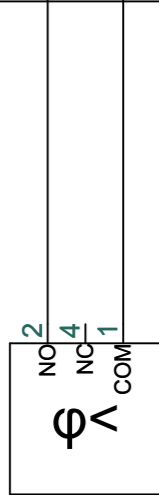
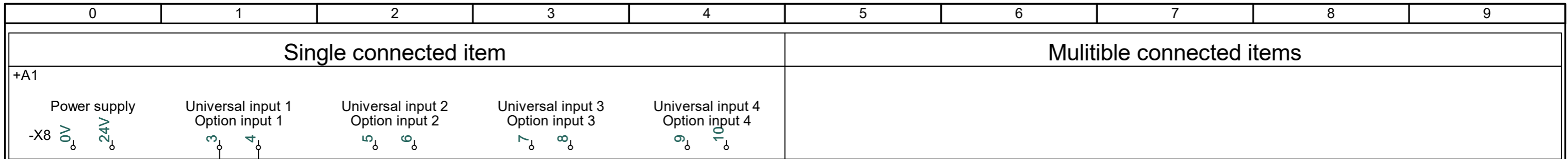
UI1 (standard) is default High Speed mode.
 Other modes can be selected on Option 1, 2 or 3,
 if these are available.



Only one hygrostat can be installed

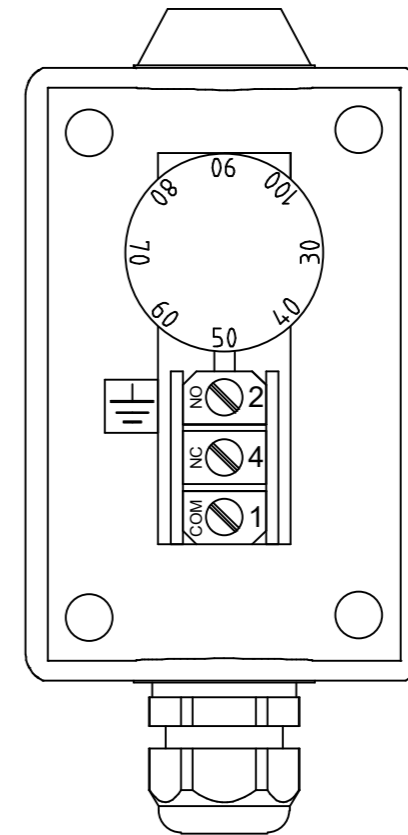
Hygrostat for room installation

aldes EXHAUSTO	Project: VEX1000 Accessories	Start date:	31-10-2024	Constructor:	DKTSA	Page:	18		
		Revision date:	18-12-2024	Approved by:	DKLEG	Previous page:	17		
Drawing number: 3006851	Revision: B	Page Title:	Replaces:		A	Scale:	1:1	Next page:	19
		HYRK	EC no.:			Format:	A3	Pages in total:	25



	Terminal	2 NO	1 COM
Standard	-X8	:3	:4
Option 1	-X8	:5	:6
Option 2	-X8	:7	:8
Option 3	-X8	:9	:10

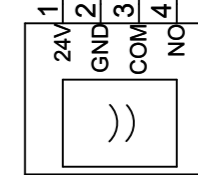
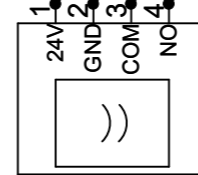
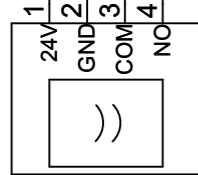
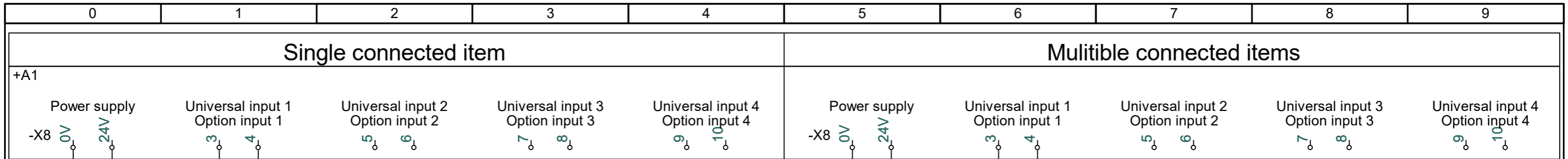
UI1 (standard) is default High Speed mode.
 Other modes can be selected on Option 1, 2 or 3,
 if these are available.



Only one hygrostat can be installed

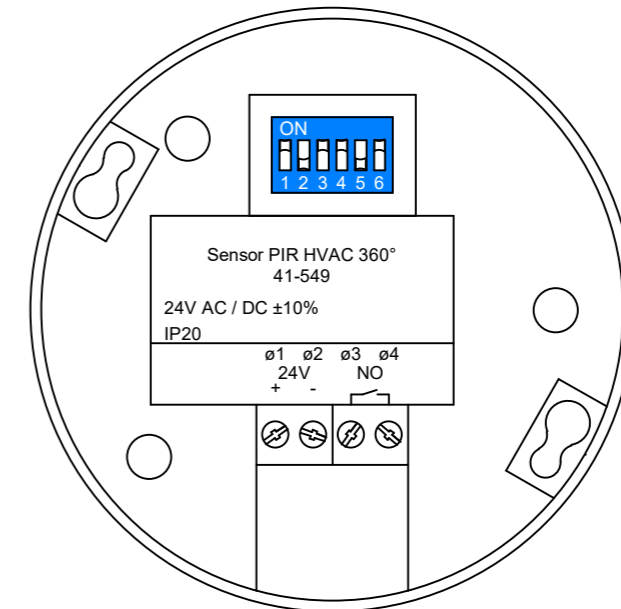
Hygrostat for duct installation

aldes EXHAUSTO	Project: VEX1000 Accessories	Start date:	31-10-2024	Constructor:	DKTSA	Page:	19
		Revision date:	18-12-2024	Approved by:	DKLEG	Previous page:	18
Drawing number: 3006851	Revision: B	Page Title: S-KH-10U		Replaces:	A	Scale:	1:1
		EC no.:		Format:	A3	Next page:	20
						Pages in total:	25



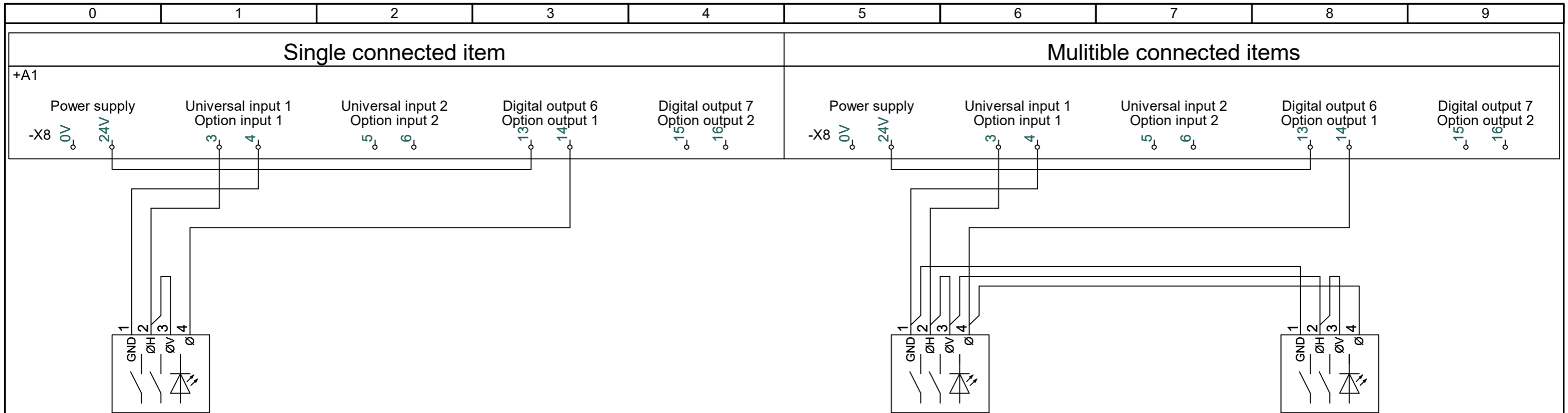
	Terminal	2 GND	1 24V	3 COM	4 NO
Standard	-X8	:0V	:24V	:3	:4
Option 1	-X8	:0V	:24V	:5	:6
Option 2	-X8	:0V	:24V	:7	:8
Option 3	-X8	:0V	:24V	:9	:10

UI1 (standard) is default High Speed mode.
 Other modes can be selected on Option 1, 2 or 3,
 if these are available.



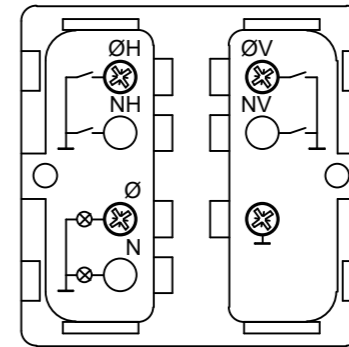
PIR motion detector

aldes EXHAUSTO	Project: VEX1000 Accessories	Start date:	31-10-2024	Constructor:	DKTSA	Page:	20	
		Revision date:	18-12-2024	Approved by:	DKLEG	Previous page:	19	
Drawing number: 3006851	Revision: B	Page Title: PIR	Replaces:	A	Scale:	1:1	Next page:	21
			EC no.:		Format:	A3	Pages in total:	25



	Terminal				
Standard	-X8	:3	:4	:13	:14
		2 ØH	1 GND	-X8:24V	4 Ø

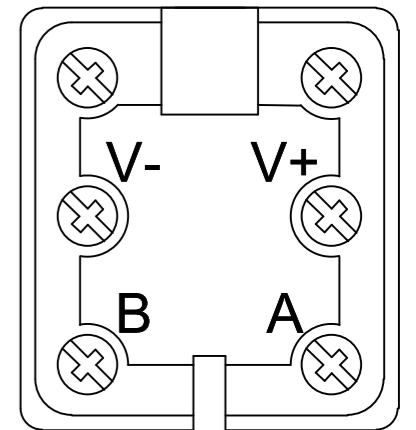
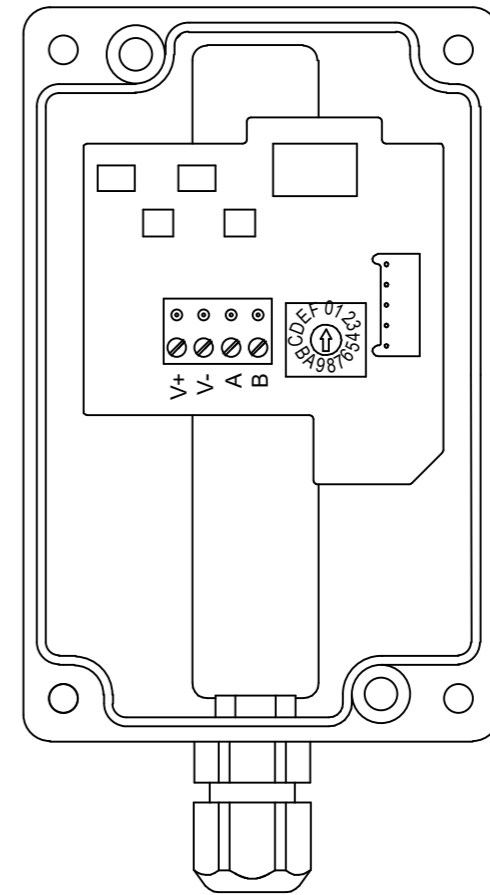
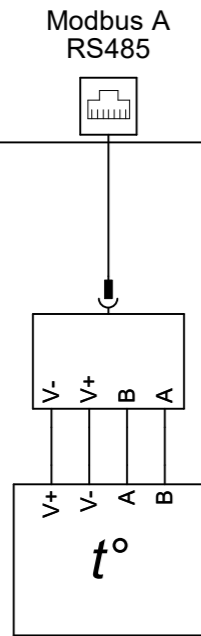
Digital output 6 must be configured as "User relay" and set to "Follow High Speed".



Timer button with LED indicator

	Project:	VEX1000 Accessories	Start date:	31-10-2024	Constructor:	DKTSA	Page:	21				
	Drawing number:	3006851	Revision:	B	Page Title:	TIMERBUTTON3	Revision date:	18-12-2024	Approved by:	DKLEG	Previous page:	20
							Replaces:	A	Scale:	1:1	Next page:	22
							EC no.:		Format:	A3	Pages in total:	25

0	1	2	3	4	5	6	7	8	9
Single connected item					Multible connected items				
+A1									

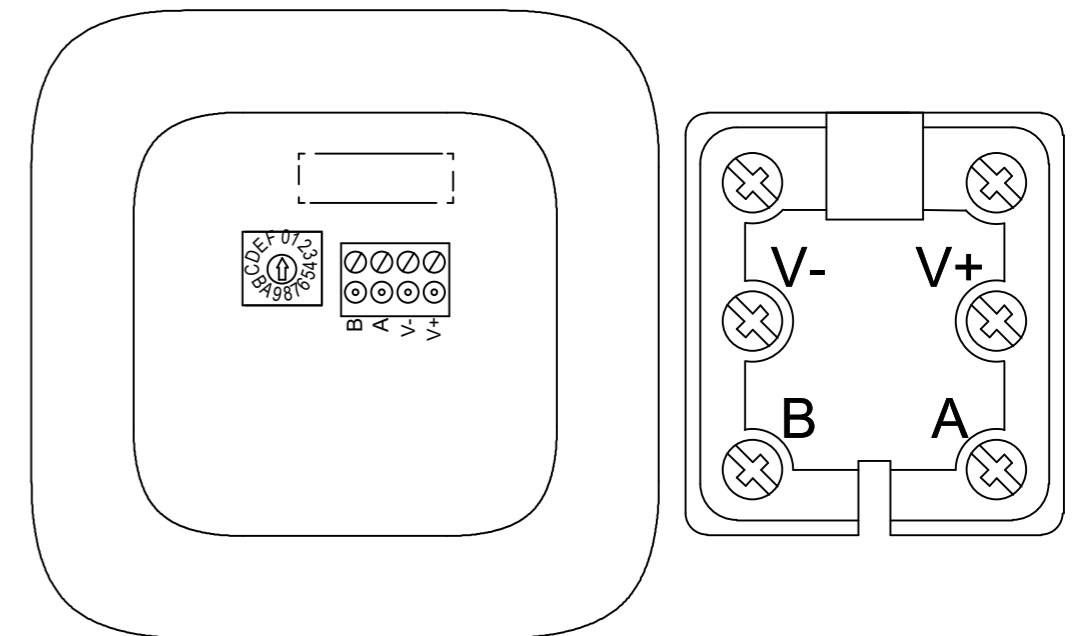
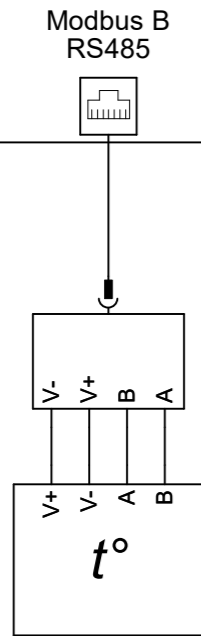


Only one TTH-6040-O can be installed
Can not be installed together with HMI-20T

External outdoor temperature sensor

	Project: VEX1000 Accessories	Start date: 31-10-2024	Constructor: DK TSA	Page: 22	
		Revision date: 18-12-2024	Approved by: DK LEG	Previous page: 21	
Drawing number: 3006851	Revision: B	Page Title: TTH-6040-O	Replaces: A	Scale: 1:1	Next page: 23
			EC no.:	Format: A3	Pages in total: 25


0	1	2	3	4	5	6	7	8	9
Single connected item					Multible connected items				
+A1									

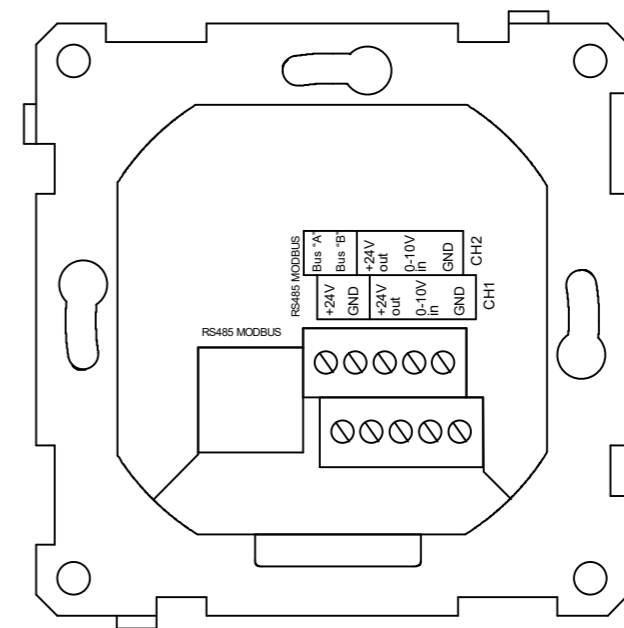
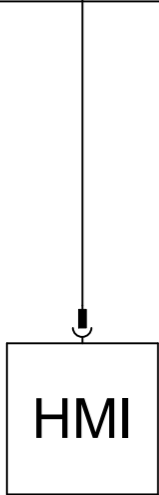


Only one TTH-6040-W can be installed

Room temperature sensor

aldes EXHAUSTO	Project: VEX1000 Accessories	Start date: 31-10-2024	Constructor: DKTSA	Page: 23	
		Revision date: 18-12-2024	Approved by: DKLEG	Previous page: 22	
Drawing number: 3006851	Revision: B	Page Title: TTH-6040-W	Replaces: A	Scale: 1:1	Next page: 24
			EC no.:	Format: A3	Pages in total: 25

0	1	2	3	4	5	6	7	8	9
Single connected item					Multible connected items				
+A1 Modbus A RS485 									

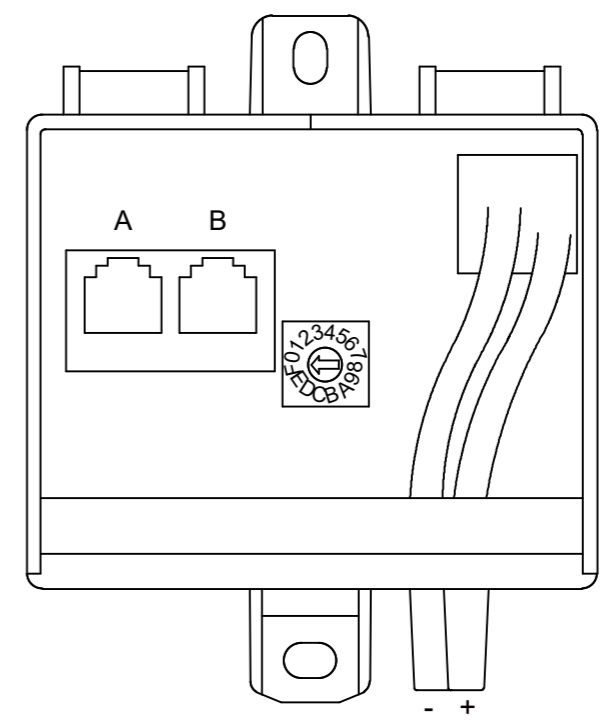
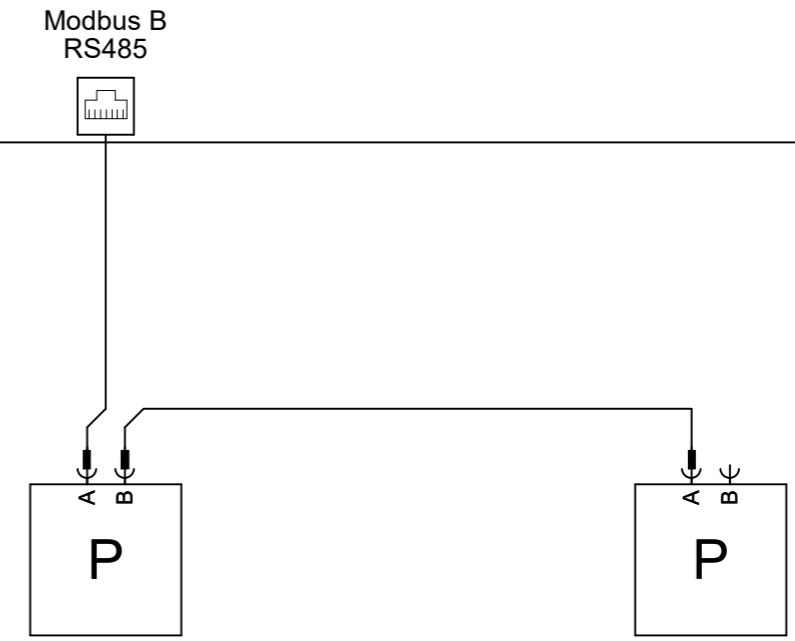
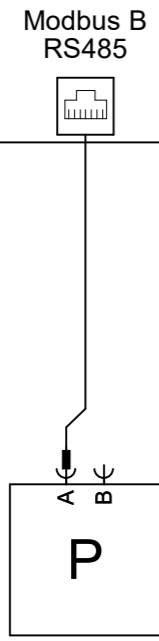


Only one HMI-20T can be installed
 Can not be installed together with TTH-6040-O

2" HMI for room mounting with temperature sensor

aldes EXHAUSTO	Project: VEX1000 Accessories	Start date:	31-10-2024	Constructor:	DKTSA	Page:	24	
		Revision date:	18-12-2024	Approved by:	DKLEG	Previous page:	23	
Drawing number: 3006851	Revision: B	Page Title: HMI-20T	Replaces:	A	Scale:	1:1	Next page:	25
			EC no.:		Format:	A3	Pages in total:	25

0	1	2	3	4	5	6	7	8	9
Single connected item					Multible connected items				
+A1 Modbus B RS485					Modbus B RS485				

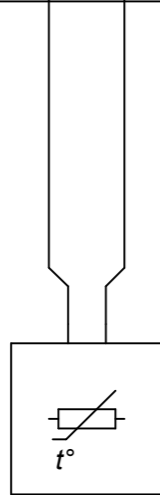


Maximum two PTH4000 can be installed

PTH-6202 pressure transmitter kit for Constant Pressure regulation

aldes EXHAUSTO Drawing number: 3006851	Revision: B	Project: VEX1000 Accessories Page Title: PTH4000	Start date: 31-10-2024	Constructor: DK TSA	Page: 25
			Revision date: 18-12-2024	Approved by: DK LEG	Previous page: 24
			Replaces: A	Scale: 1:1	Next page: KLP(1)
			EC no.:	Format: A3	Pages in total: 25

0	1	2	3	4	5	6	7	8	9
Single connected item					Multible connected items				
+A1 Power supply -X8 0V 24V Universal input 1 Option input 1 3 4 Universal input 2 Option input 2 5 6 Universal input 3 Option input 3 7 8 Universal input 4 Option input 4 9 10									



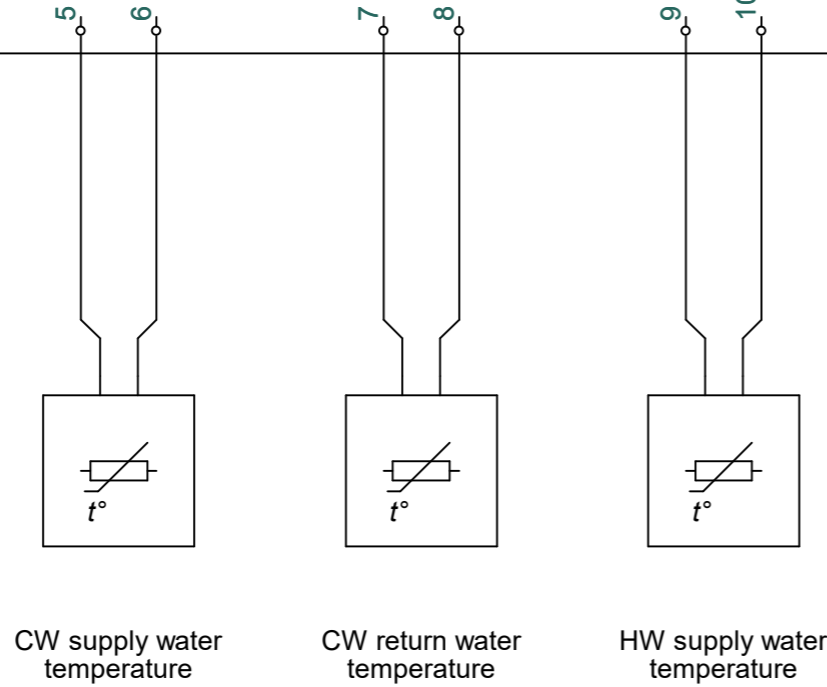
CW supply water temperature

When extending the sensor cable, a 2 x 0.75 mm² cable is recommended for lengths up to 15 meters. For longer distances, a 2 x 1.5 mm² cable should be used.

Optional temperature sensors for water coils

aldes EXHAUSTO Drawing number: 3006851	Revision: B	Project: VEX1000 Accessories Page Title: EFT-1098L1-4	Start date: 31-10-2024	Constructor: DKTSA	Page: KLP(1)
			Revision date: 18-12-2024	Approved by: DKLEG	Previous page: 25
			Replaces: A	Scale: 1:1	Next page: 26
			EC no.:	Format: A3	Pages in total: 25

0	1	2	3	4	5	6	7	8	9
Single connected item					Multible connected items				
+A1 Power supply -X8 0V 24V Universal input 1 Option input 1 3 4 Universal input 2 Option input 2 5 6 Universal input 3 Option input 3 7 8 Universal input 4 Option input 4 9 10									

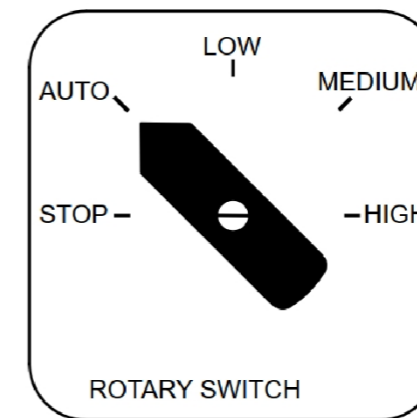
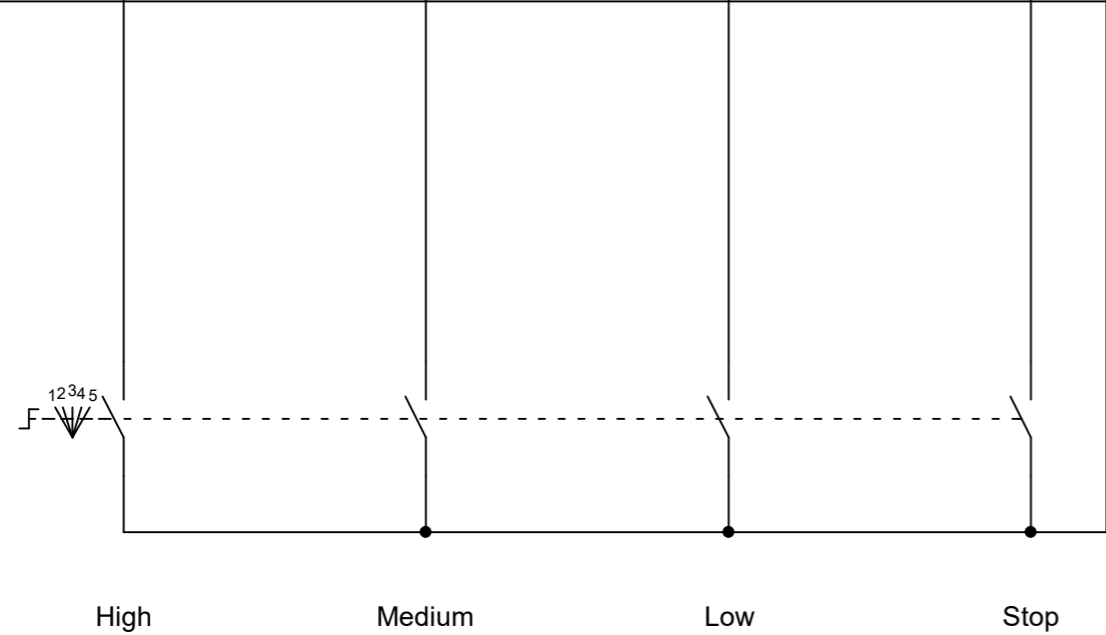


CW supply water temperature
CW return water temperature
HW supply water temperature

Optional temperature sensors for water coils

aldes EXHAUSTO	Project: VEX1000 Accessories		Start date: 31-10-2024	Constructor: DKTSA	Page: 26
	Revision: B		Revision date: 18-12-2024	Approved by: DKLEG	Previous page: KLP(1)
Drawing number: 3006851	Page Title: PT1000	Replaces: A	Scale: 1:1	Next page: 27	
		EC no.:	Format: A3	Pages in total: 25	

0	1	2	3	4	5	6	7	8	9
Single connected item					Multible connected items				
+A1 Power supply -X8 0V 24V Universal input 1 Option input 1 3 4 Universal input 2 Option input 2 5 6 Universal input 3 Option input 3 7 8 Universal input 4 Option input 4 9 10									



The use of a 5-step switch precludes the connection of other I/O-based accessories to universal inputs 1-4. The 5-step switch is a 3rd-party product and is not supplied by EXHAUSTO.

External start switch

	Project:	Start date:	31-10-2024	Constructor:	DKTSA	Page:	27
	VEX1000 Accessories	Revision date:	18-12-2024	Approved by:	DKLEG	Previous page:	26
Drawing number:	Revision:	Page Title:	Replaces:	A	Scale:	1:1	Next page:
3006851	B	5-step switch	EC no.:		Format:	A3	Pages in total:
							25

