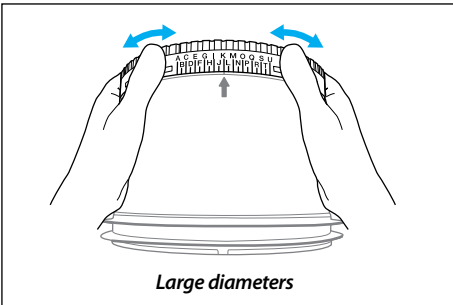
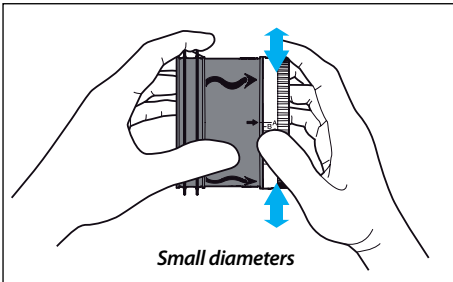


### READ AND SAVE THESE INSTRUCTIONS

#### SETTING THE AIRFLOW

Twist the rotating adjustment ring until the desired airflow is reached. Reference the correlation table at right and printed on the device. No tools required.



#### CORRELATION TABLE†

**11016307**  
Ø 3" (80 mm)

	⊙		⊙✂	
	m³/h	CFM	m³/h	CFM
K	20	12	-	-
J	25	15	-	-
H	30	18	-	-
G	35	21	45	26
F	40	24	50	29
B	45	26	60	35

**P/N: 11016308**  
Ø 4" (100 mm)

	⊙		⊙✂	
	m³/h	CFM	m³/h	CFM
L	15	9	-	-
J	20	12	-	-
H	25	15	-	-
F	30	18	-	-
E	35	21	70	41
D	40	24	75	44
C	45	26	80	47
A	55	32	90	53

**P/N: 11016309**  
Ø 5" (125 mm)  
10-50 CFM (15-90 m³/h)

	⊙		⊙✂	
	m³/h	CFM	m³/h	CFM
L	15	9	-	-
H	25	15	60	35
F	30	18	65	38
E	-	-	70	41
D	45	26	75	44
B	50	29	80	47
A	-	-	85	50

**P/N: 11016310**  
Ø 5" (125 mm)  
60-110 CFM  
(100-190 m³/h)

	m³/h	CFM
K	100	59
J	110	65
I	120	71
H	130	76
G	140	82
E	150	88
C	160	94
A	190	112

† Certain letters correspond to two setpoints: one with the clip, and one without the clip.

**P/N: 11016311**  
Ø 6" (150 mm)

	m³/h	CFM
R	100	60
P	110	65
O	120	70
M	130	75
L	140	80
K	150	90
J	160	95

**P/N: 11016313**  
Ø 8" (200 mm)

	m³/h	CFM
H	170	100
G	180	105
F	190	110
E	200	120
D	210	125
A	240	140

**P/N: 11016314**  
Ø 8" (200 mm)

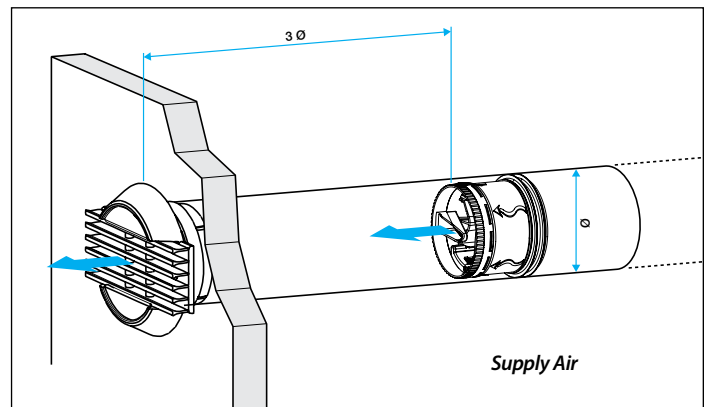
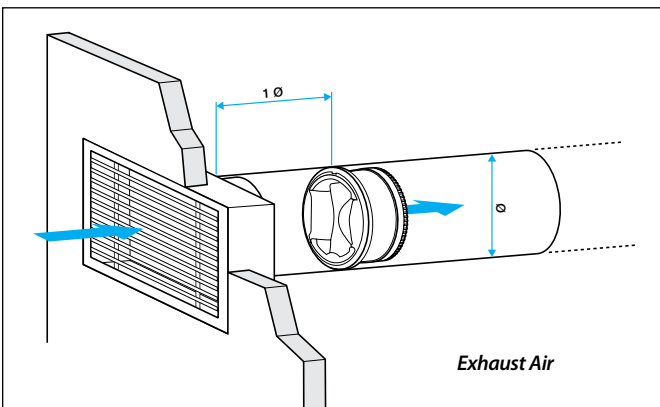
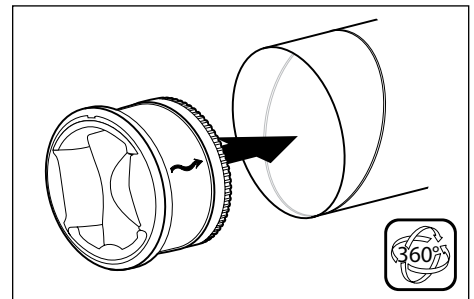
	m³/h	CFM
U	225	132
S	250	147
Q	275	160
N	300	177
M	325	191
J	350	206
D	400	235

**P/N: 11016314**  
Ø 10" (250 mm)

	m³/h	CFM
U	300	175
R	355	205
O	400	235
L	450	265
I	500	295
G	550	325
A	650	385

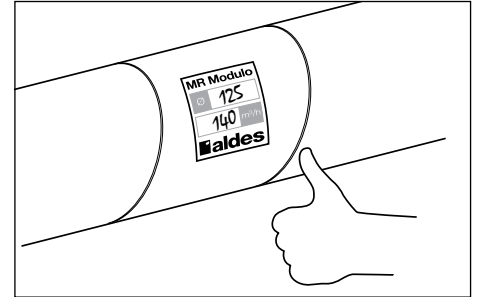
#### INSTALLATION

- The MR Modulo will push-fit into circular ducts in close proximity to a take-off or terminal.
- Orient the MR Modulo according to the airflow direction indicated on the device.
- Horizontal or vertical mounting is acceptable.
- To avoid acoustic and aeraulic disturbance, provide the following distance between the device and the terminal (grille / diffuser / inlet):
  - Exhaust Air: 1x the device diameter Ø
  - Supply Air: 3x the device diameter Ø



## MAINTENANCE

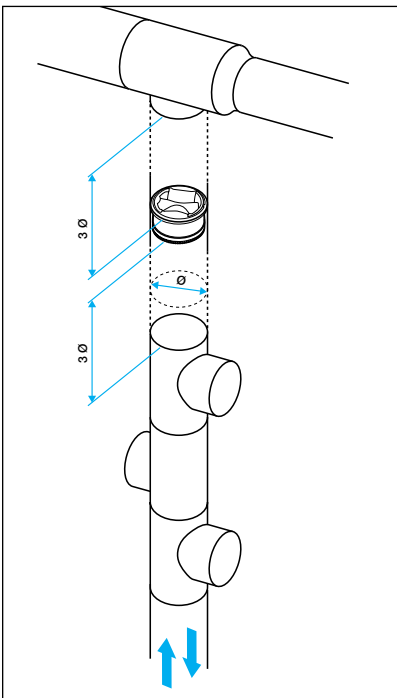
- MR Modulo performance is not altered by clogging, therefore it requires practically no special maintenance.
- If the intended application includes air heavily loaded with grease or dust, a fitting with an access panel or door, such as that used for flame dampers, should be used.
- Clean with soaped water. When cleaning, plug the hole on the plastic body, at the base of the bulb, to prevent any obstruction and any penetration of liquid or foreign body inside the bulb.



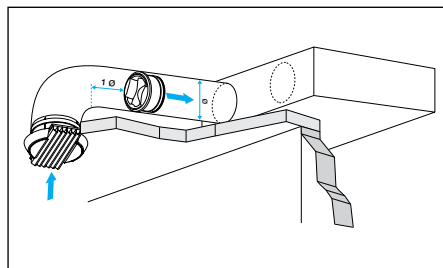
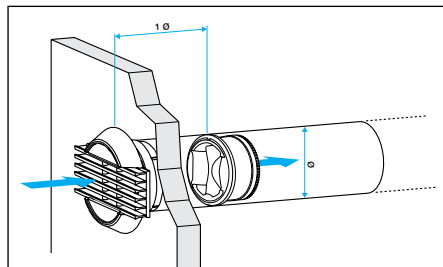
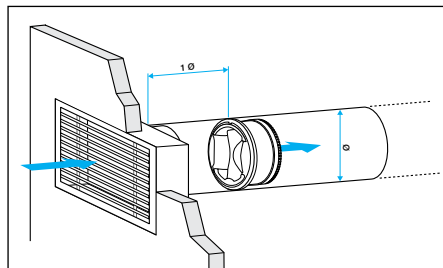
Write the diameter and airflow setting on the provided sticker and place it directly onto the duct to show where the MR Modulo has been installed.

## TYPICAL APPLICATIONS

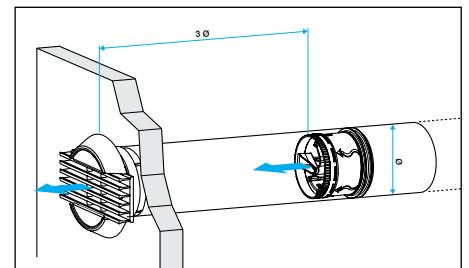
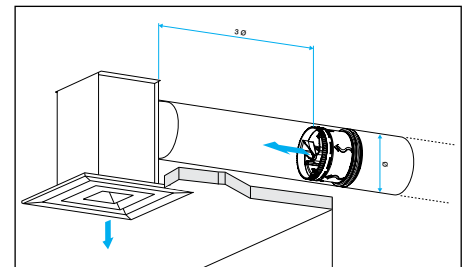
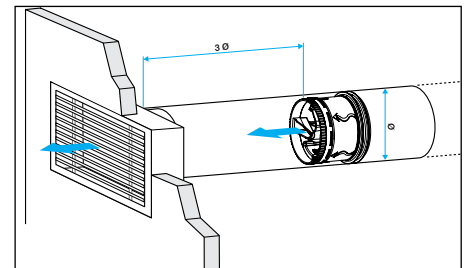
### Duct System



### Exhaust/Return Air



### Supply Air



For more information, contact your Aldes sales advisor, visit [aldes-na.com](http://aldes-na.com), call 1.800.255.7749.