

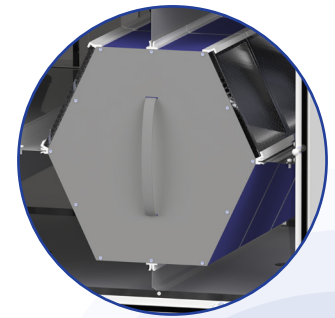
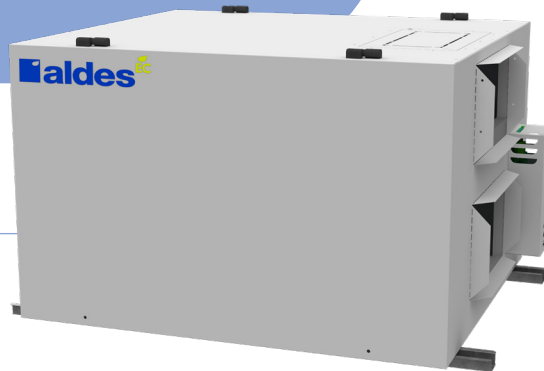
# HRV • HK400-Fi-EC-N



At the heart of buildings

# Light Commercial

395 CFM at 0.2 in.w.g



High efficient HRV counter-flow core

## PRODUCT DESCRIPTION

The HK400-Fi-EC-N heat recovery ventilator delivers up to 395 CFM of fresh air. Featuring Aldes' AHRI Certified core for superior moisture transfer and high-efficiency, quiet variable-speed EC motors, it provides reliable performance and energy savings in any climate zone. The unit is designed for versatile indoor installation and easy maintenance.

## TECHNICAL INFORMATION



### Plate Exchanger

Material: High efficient HRV counter-flow core



### Casing (Standard)

Material: Painted galvanized steel 22GA  
Insulation: 1" (25 mm) Fiberglass with FSK  
Drain Connection: Ø 1/2" (Ø 13 mm)  
Duct Connections: 8" x 10" (203 mm x 254 mm)  
Width: 30-1/2" (762 mm)  
Height: 21-3/16" (538 mm)  
Depth: 23" (584 mm)  
Weight: 106 lb. (48 kg);  
116 lb. (53 kg) with recirculation  
Shipping Weight: 159 lb. (72 kg);  
169 lb. (77 kg) with recirculation



### Mounting

Supplied with base rails. Support rods not included



### Electrical Requirements

230VAC, 60Hz, 329W, FLA 2.45A, MOP 15A  
Terminal block for direct wiring to the building's electrical system. Fused disconnect not included



### Filters

Aluminium filters (standard) (No. 300607026)  
Optional MERV 8 (No. 300607047)  
and MERV 13 filters available (No. 300607041)



### Blowers

Two backward-inclined motorized impeller, direct-drive, EC motors, variable speed, external rotor



### Frost Control

Cycles controlled by a temperature sensor when outdoor temperatures fall below 14°F (-10°C)  
Standard: Exhaust Defrost  
Optional: Recirculation Defrost (N. 300200005)

Sound data available on request

## WALL CONTROLS

Low-voltage dry contact (24 VAC) to synchronize with the heating/cooling system. For more details, refer to the wall control spec sheets.



**BACnet™ Interface**  
(No. 300220235)



**Digital Multifunction Control**  
(No. 200500242\_FC)



**LCD Electronic Multifunction Control**  
(No. 200500227)



**20/40/60 Minute timer**  
(No. 200500228)



**Speed control**  
(low/intermittent/high)  
(No. 200500229)



**Mode Control**  
(recirculation)  
(No. 200500230)

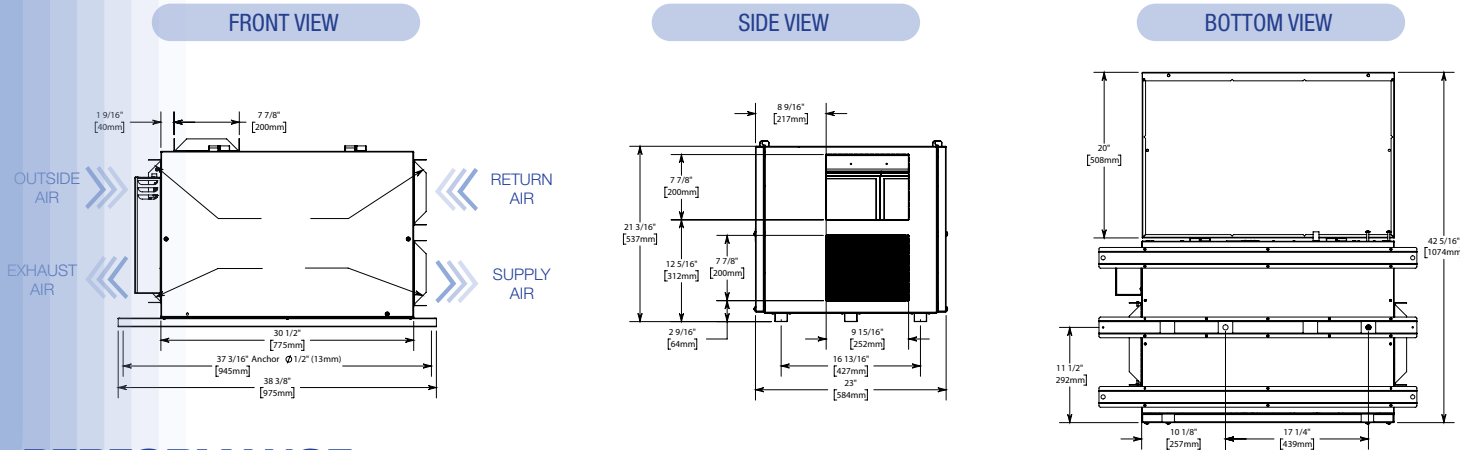
**Electrical Coil (optional)**

An optional electrical coil is available for post heating. The electrical heater has its own power connection with a fused disconnect included. Can be paired with the light commercial units for optimized control. The electrical heater is self managed with an included thermistor.

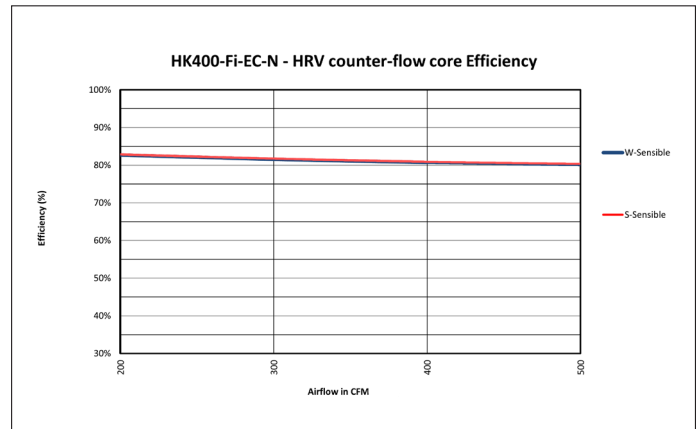
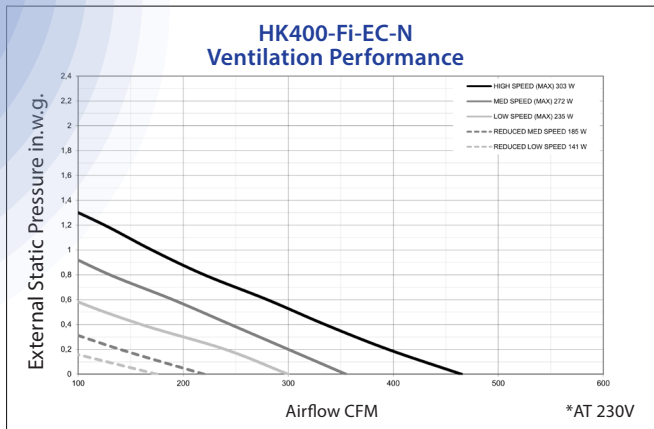
No.	Power	Dimensions (in.)			Minimum airflow (CFM)	VAC-Ph	Current (A)
		W	H	D			
300200001	4 kW	10	8	6	167	240-1	16.67
300200002	8 kW	14	8	7	233	240-1	33.33
300200003	10 kW	20	8	6	333	240-1	41.67
300200004	12 kW	24	8	6	400	240-1	50.00

Power	Availability			
	H/E/HK/EK 400	H/E/HK/EK 650	H/E/HK/EK 1100	H/E/EK 1800
4 kW	•	•	•	•
8 kW		•	•	•
10 kW			•	•
12 kW				•

**DIMENSIONS**



**PERFORMANCE**



**YOUR PROJECT :**

Location : \_\_\_\_\_

Model # : \_\_\_\_\_

Quantity : \_\_\_\_\_

Submitted By : \_\_\_\_\_

Date : \_\_\_\_\_

**Architect :** \_\_\_\_\_

**Engineer :** \_\_\_\_\_

**Contractor :** \_\_\_\_\_

**Comments :** \_\_\_\_\_

For more information, contact your Aldes sales advisor, visit [aldes-na.com](http://aldes-na.com), call 1.800.255.7749 or find us on

