



InspirAIR® ELITE ERV

EK125-TF

129 CFM at 0.4 in.w.g



UNIT

CORE



PLATE EXCHANGER

High-efficiency polymeric membrane counter-flow ERV

CASING (Standard)

Material: 24-gauge galvanized steel
Drain connections: optional
Duct connections: 4" (102 mm)
Insulation: EPS molded polystyrene
Length: 23" (584.2 mm)
Height: 19" (482.6 mm)
Width: 16" (406.4 mm)
Weight: 51 lb (23 kg)
Exhaust Damper: Closed by gravity
Swivel ports for horizontal, vertical, oblique or mixed installations.



MOUNTING

Mounting chains included
Wall mounting optional (No. 200400921)



ELECTRICAL SPECIFICATIONS

120 V, 60 Hz, 181 W, 2.46 A



FILTERS

(Standard)
Quantity:
2 washable MERV 6 filters (No. 200607771)
Optional filter types: MERV 8 (No. 200607772)
MERV 13 (No. 100607881)



BLOWERS & MOTORS

Two motorized impellers (backwards inclined)
Quick-connect motors for easy and efficient maintenance
PSC motor



DEFROST

Automatic timed integral exhaust defrost: Cycles are controlled by a temperature sensor when the outside temperature drops below 10.4°F (-12°C)

WARRANTY

Limited 5 years on the cores and all covered components

WALL CONTROLS

Low voltage dry contact (24VAC) for interlock with heating and cooling systems. For more details, please refer to the wall control specification sheets.



Digital Multifunction Control (No. 200500242_FC)



LCD Electronic Multifunction Control
(No. 200500227)



20/40/60 Minute Timer (No. 200500228)



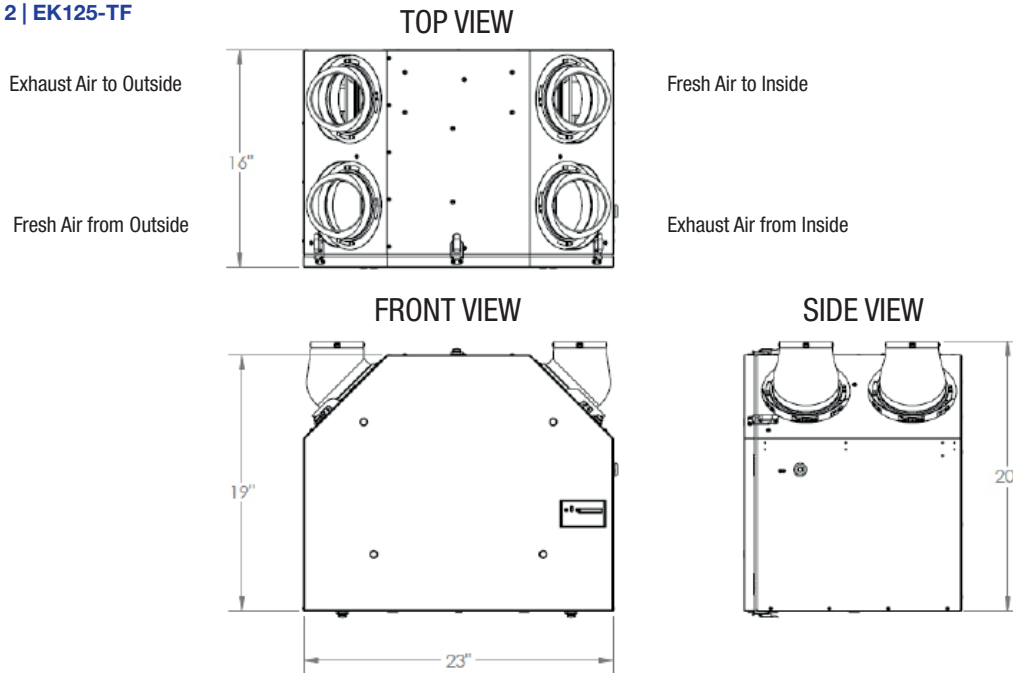
Speed Control (Low/Intermittent/High)
(No. 200500229)



Mode Control (Recirculation) (No. 200500230)

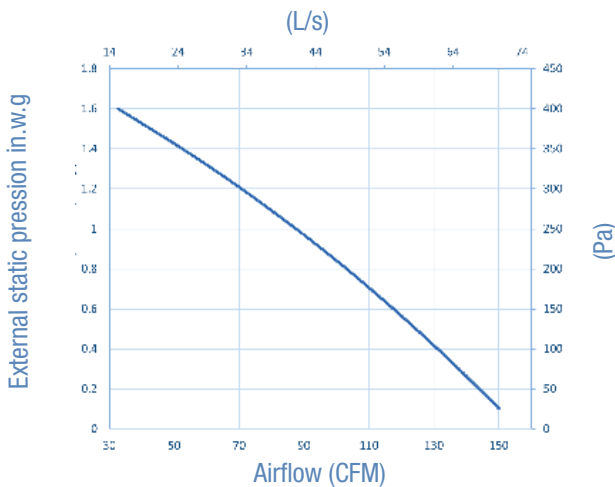
aldes DIMENSIONS (INCHES)

Page 2 | EK125-TF



EK125-TF: PERFORMANCE

EK125-TF Ventilation Performance



Thermal Performance – EK125-TF								
Supply Temperature		Net Airflow		Power Consumed (w)	Sensible Recovery Efficiency	Adjusted Sensible Recovery Efficiency	Latent Recovery/Moisture Transfer	Total Recovery Efficiency
°F	°C	CFM	L/s					
Heating								
32	0	36	17	56	87%	99%	95%	-
32	0	49	23	67	86%	95%	91%	-
32	0	64	30	77	84%	92%	87%	-
32	0	81	38	89	82%	90%	84%	-
14	-10	64	30	81	84%	90%	86%	-
Cooling								
95	35	64	30	80	-	-	84%	76%

Project:		Architect:	
Location:		Engineer:	
Model #:		Contractor:	
Quantity:		Comments:	
Submitted By:			
Date:			

For more information, contact your Aldes sales advisor, visit aldes-na.com, call 1.800.255.7749, or find us on



©2026 American ALDES Ventilation Corporation and ALDES Canada. All Rights Reserved. Reproduction or distribution, in whole or in part, of this document, in any form or by any means, without the express written consent of American ALDES Ventilation Corporation and/or ALDES Canada, is strictly prohibited. The information contained within this document is subject to change without prior written notice.

Corporation and/or ALDES Canada, is strictly prohibited. The information contained within this document is subject to change without prior written notice.